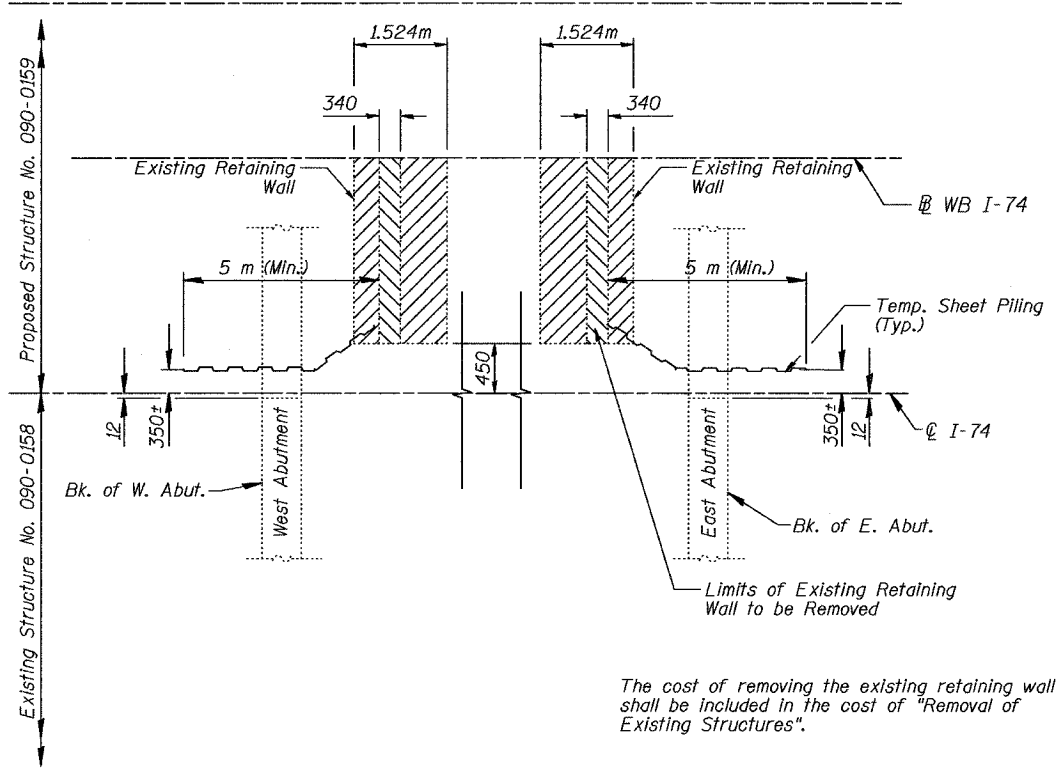


STATE OF ILLINOIS
DEPARTMENT OF TRANSPORTATION

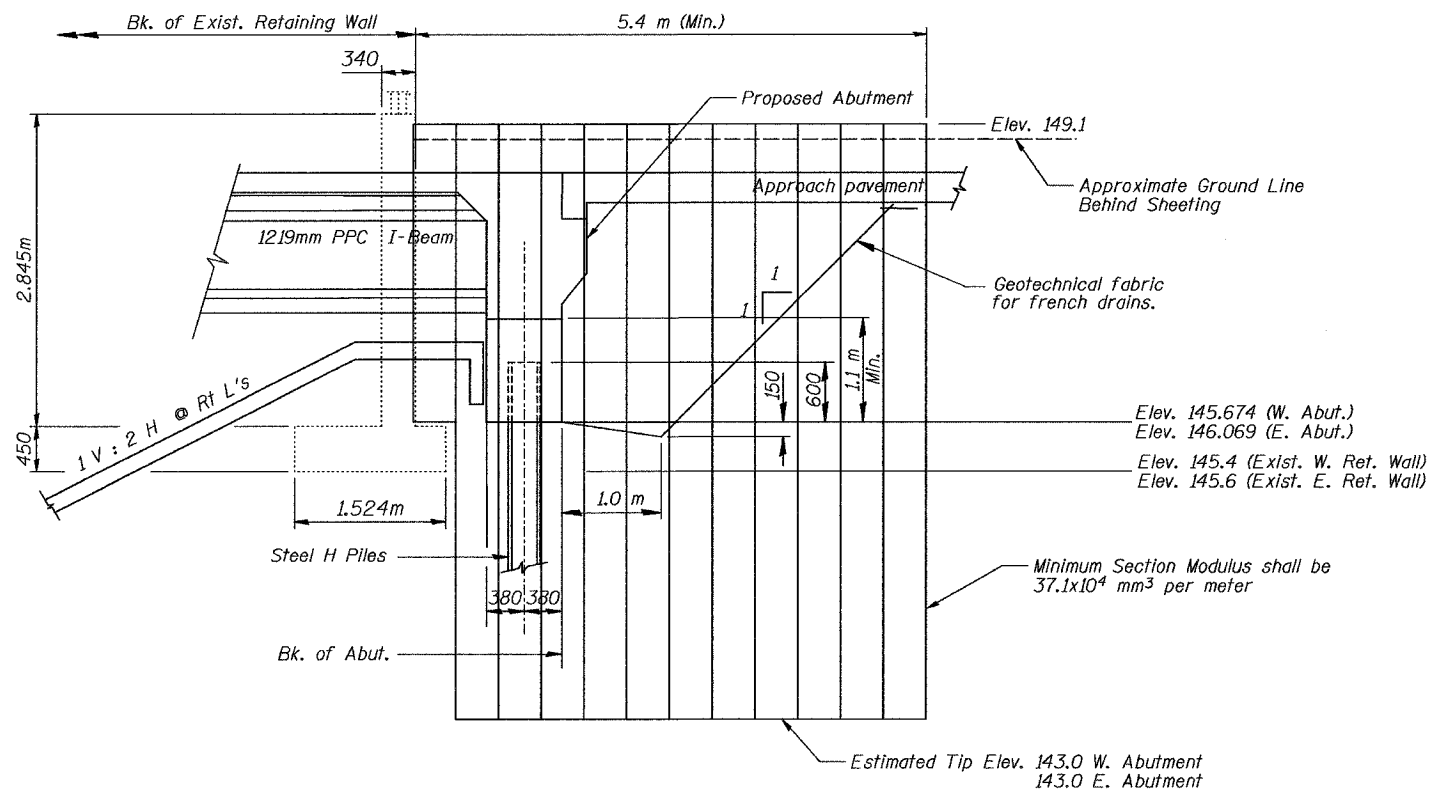
ROUTE NO.	SECTION	COUNTY	TOTAL SHEETS	SHEET NO.
F.A.I. 74	90-11VB/74	TAZEWELL	1366	391
FED. ROAD DIST. NO. 7		ILLINOIS	FED. AID PROJECT-	



The cost of removing the existing retaining wall shall be included in the cost of "Removal of Existing Structures".

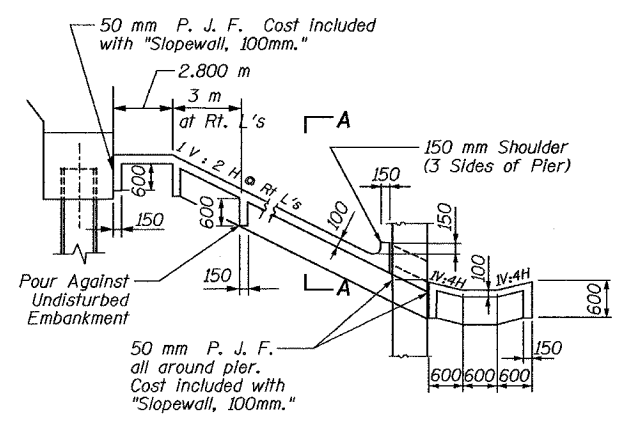
PLAN OF TEMPORARY SHEET PILING

Temporary sheet piling, furnished during the construction of Structure No. 090-0158, shall be removed as necessary to construct the east and west abutments of Structure No. 090-0159 while maintaining traffic on Structure No. 090-0158.

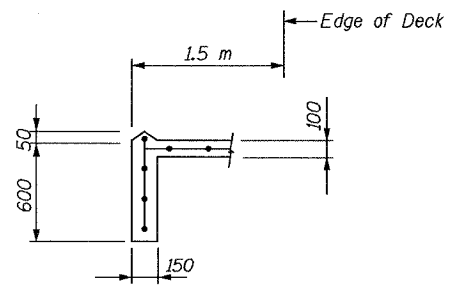


TEMPORARY SHEET PILING AT ABUTMENTS

For information only.




SECTION THRU SLOPEWALL



SECTION A-A

All temporary sheet piling provided during construction of structure No. 090-0158 (EB).
All dimensions are in millimeters (mm) except as noted.

SLOPEWALL AND TEMPORARY SHEET PILING DETAILS			
Date	Designed	JLK	INTERSTATE 74 AND RAMPS J-4 OVER ALTORFER LANE AND TP&W R.R. F.A.I. RTE. 74 SECTION (90-11VB)BR TAZEWELL COUNTY STATION 152+685.353 STRUCTURE NO. 090-0159 (WB)
Revisions	Drawn	JEH	
	Checked	RME	
	Approved	DLC	
	Date:	7-21-04	
			Sheet No. 3 of 33
 URS CORPORATION ST. LOUIS, MO			URS Job No. 2100001243.02