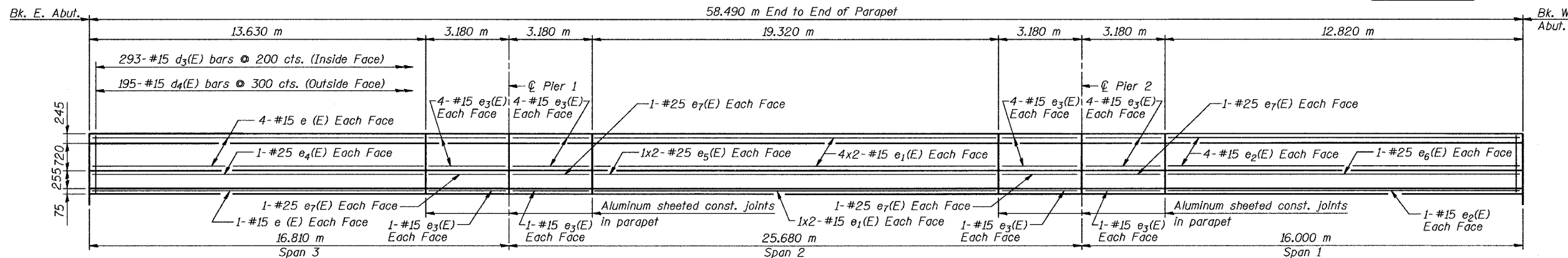


STATE OF ILLINOIS  
DEPARTMENT OF TRANSPORTATION

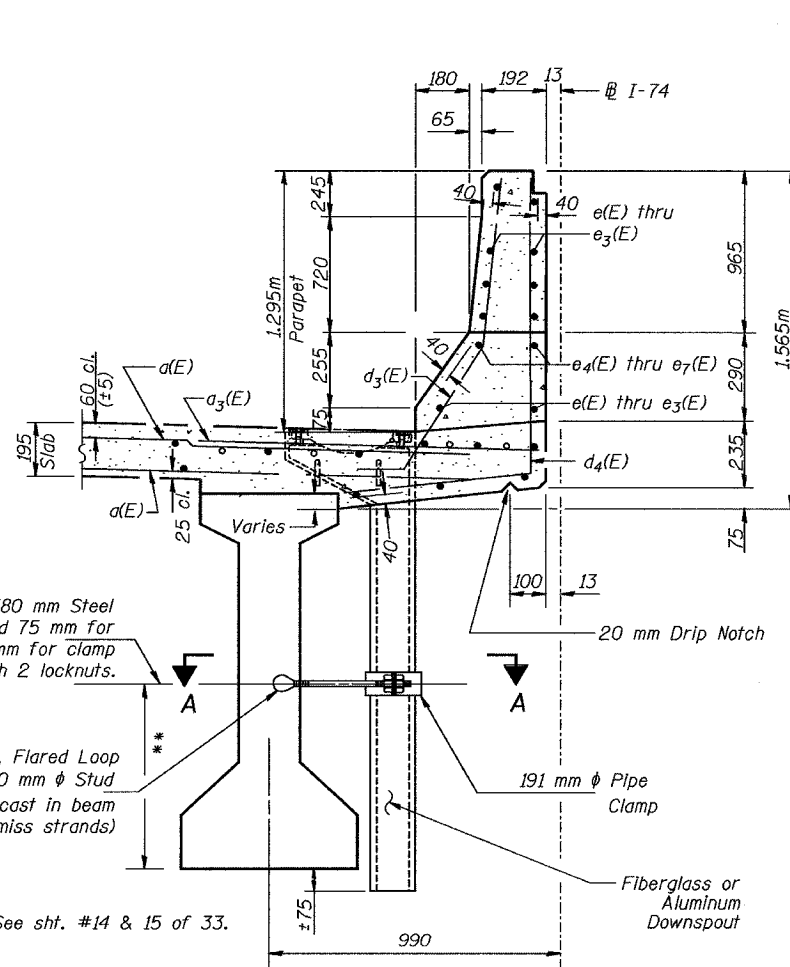
Min. Bar Laps  
#15 = 490  
#25 = 1.010 m

ROUTE NO.	SECTION	COUNTY	TOTAL SHEETS	SHEET NO.
F.A.I. 74	90-11VB1B	TAZEWELL	1366	400
FED. ROAD DIST. NO. 7 ILLINOIS FED. AID PROJECT-				



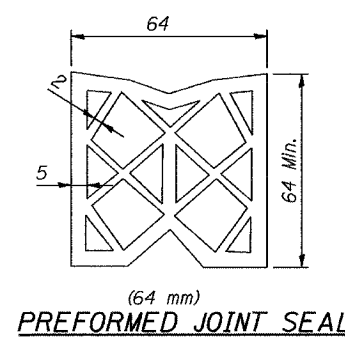
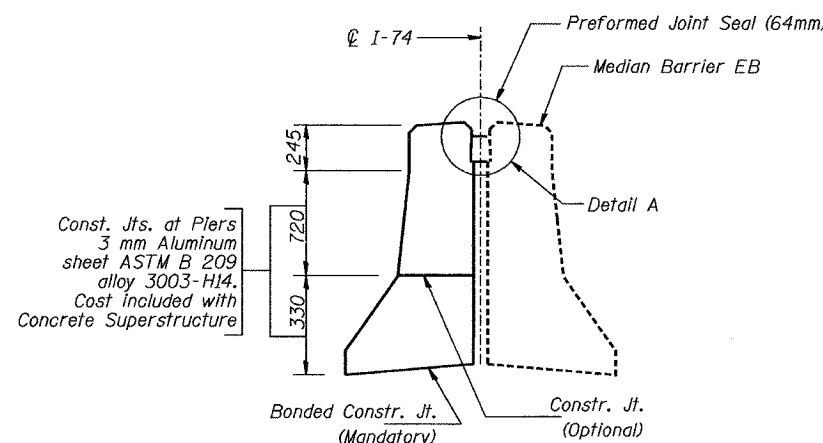
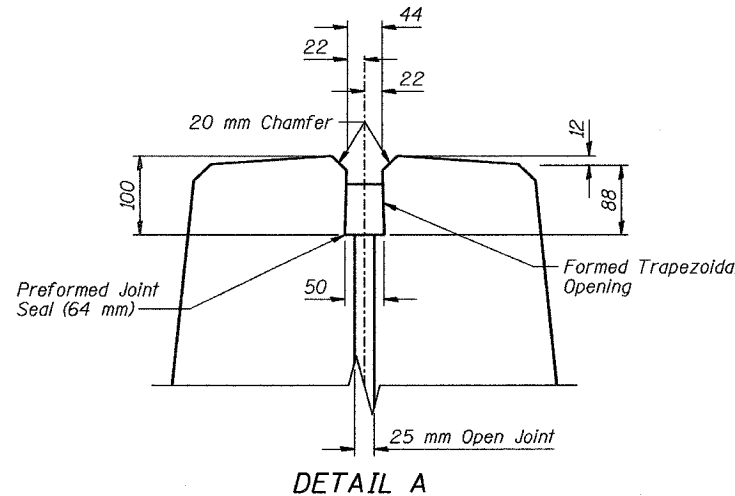
INSIDE ELEVATION OF SOUTH PARAPET

(All dimensions along inside face of parapet)



SECTION THRU PARAPET

Note: See Sheet 30 of 33 for details of drainage scuppers.



Notes:

Fiberglass pipe shall conform to ASTM D2996, with short-time rupture strength hoop tensile stress of 200 MPa minimum. The surface of the Fiberglass pipe shall be free of bond inhibiting agents.

Aluminum tube alloy shall conform to ASTM 6061-T6.

The exterior surfaces of the floor drains shall be coated by the manufacturer with a pigment that matches the color of the concrete.

The clamping device and inserts shall be galvanized in accordance with AASHTO M 232.

All dimensions are in millimeters (mm) except as noted.

Bars indicated thus 3x2-#15 etc. indicates 3 lines of bars with 2 lengths per line.

MEDIAN BARRIER DETAILS

Date	Designed JLK	INTERSTATE 74 AND RAMPS J-4 OVER ALTORFER LANE AND TP&W R.R. F.A.I. RTE. 74 SECTION (90-11VB)BR TAZEWELL COUNTY STATION 152+685.353 STRUCTURE NO. 090-0159 (WB)	Sheet No.
Revisions	Drawn KDK		12
	Checked RME		of 33
	Approved DLC		URS Job No.
	Date: 7-21-04		2100001243.02

