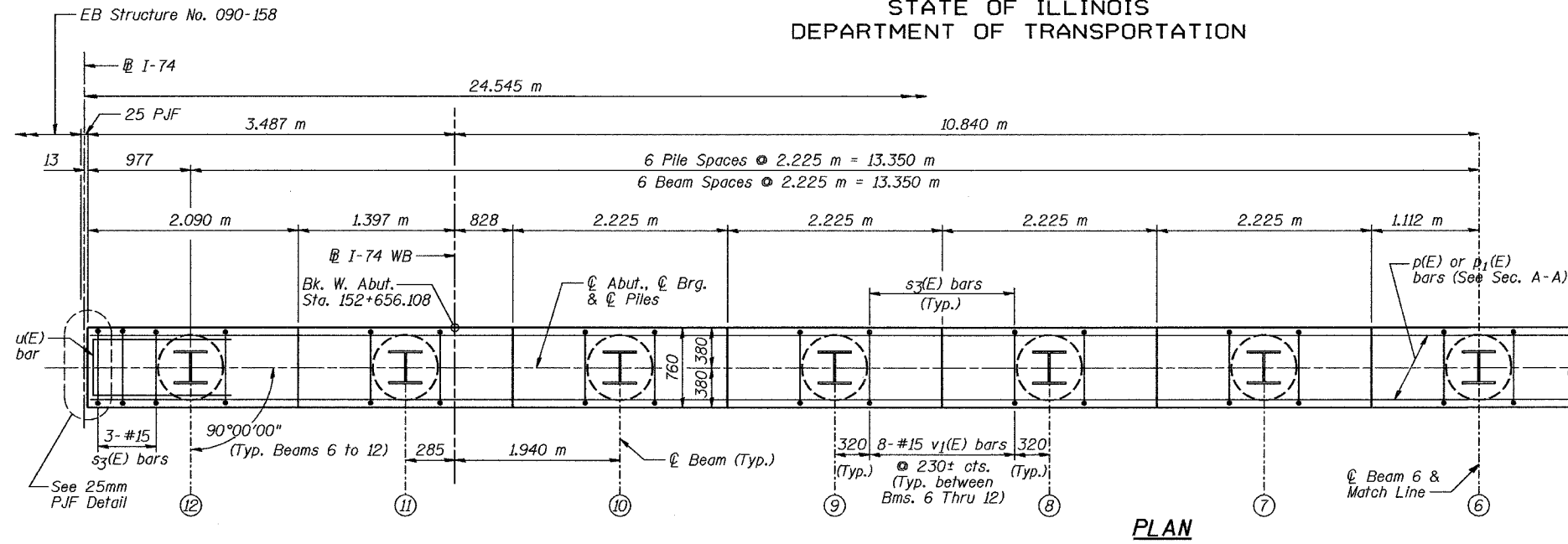
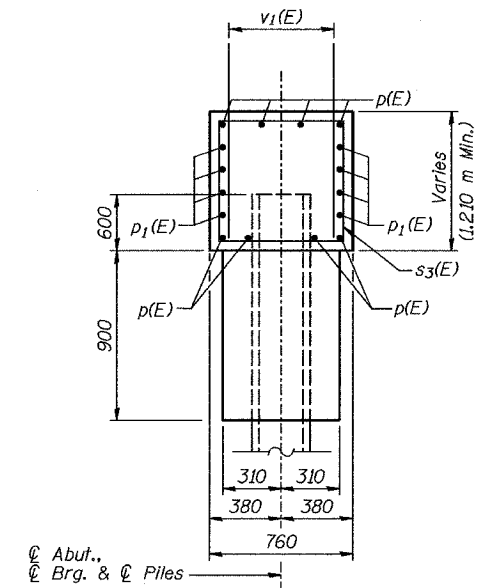


ROUTE NO.	SECTION	COUNTY	TOTAL SHEETS	SHEET NO.
F.A.I. 74	90-11VB3	TAZEWELL	1366	406
FED. ROAD DIST. NO. 7	ILLINOIS	FED. AID PROJECT-		

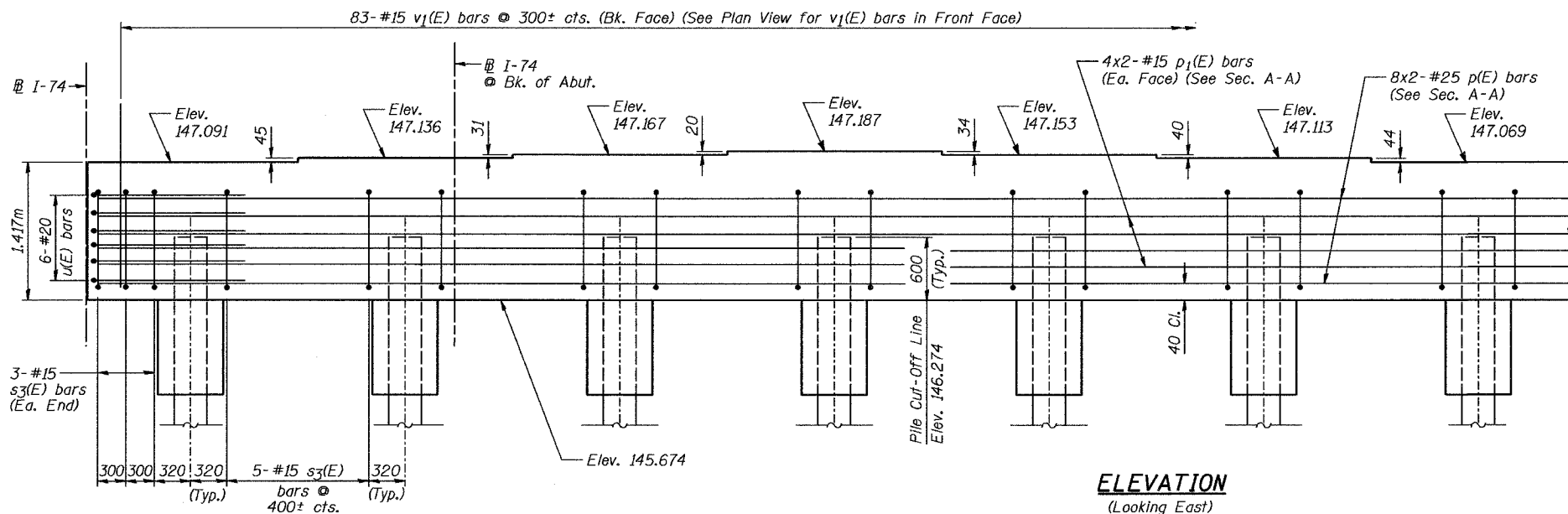
STATE OF ILLINOIS
DEPARTMENT OF TRANSPORTATION



PLAN



SECTION A-A



ELEVATION
(Looking East)

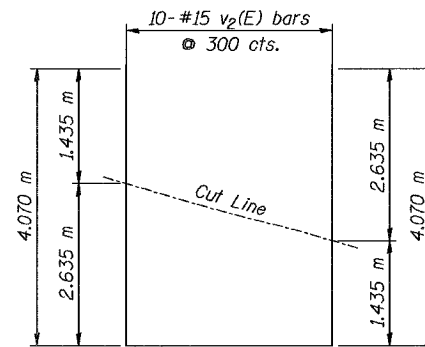
PILE DATA

Type - HP310x125
Capacity - Driven to refusal
Est. Length - 25.5m
No. Req'd. - 11
Test Piles - 1 (Permanent location)
Driven to refusal
Allow 650 KN/Pile for Negative
Skin Friction

Note:
See Sheet #19 of 33 for notes, Bill of
Material, location of Section A-A,
25mm P.J.F. Detail, and Pile Data.

Min. Bar Lap

#15 - 890
#20 - 1.110 m



FIELD CUTTING DIAGRAM

Order bars full length. Cut to fit as shown
and use remainder of bars in other face.



WEST ABUTMENT			
Date	Designed	JLK	INTERSTATE 74 AND RAMPS J-4 OVER ALTORFER LANE AND TP&W R.R. F.A.I. RTE. 74 SECTION (90-11VB)BR TAZEWELL COUNTY STATION 152+685.353 STRUCTURE NO. 090-0159 (WB)
Revisions	Drawn	KDK	
	Checked	RME	
	Approved	DLC	
Date: 7-21-04			Sheet No. 18 of 33 URS Job No. 2100001243.02