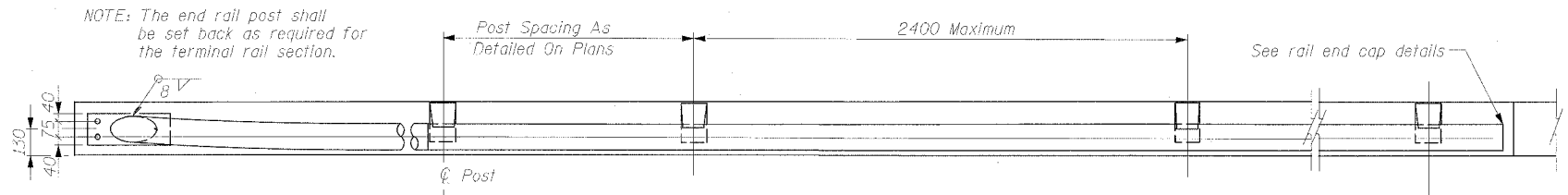
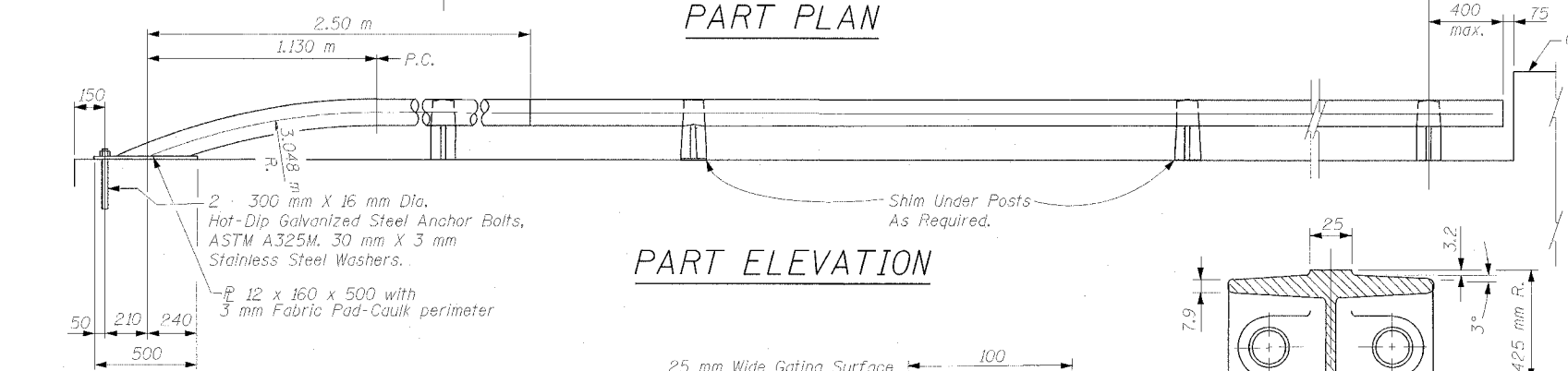


ROUTE NO.	SECTION	COUNTY	TOTAL SHEETS	SHEET NO.	SHEET NO. 11
S. B. I.	*	TAZEWELL	1366	433	25 SHEETS
F. A. 1-74					
FED. ROAD DIST. NO. 7	ILLINOIS	FED. AID PROJECT-			

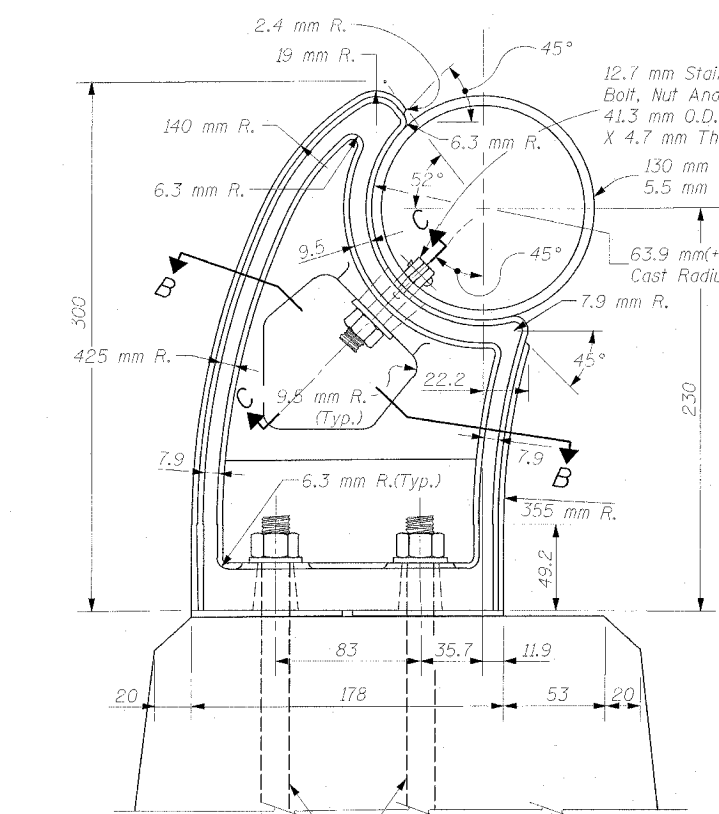
*(90-11H)BR



PART PLAN



PART ELEVATION

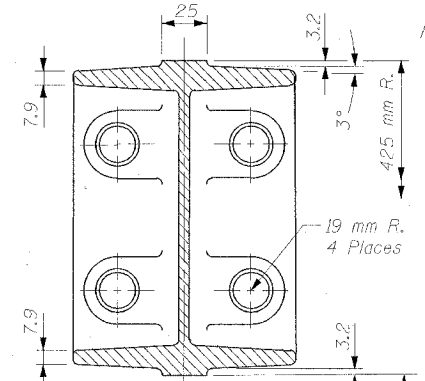


RAILING DETAILS

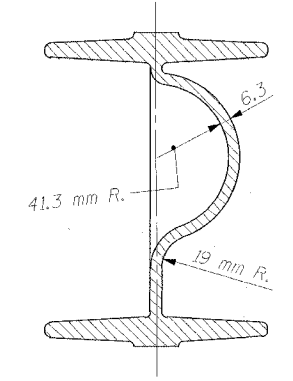
DESIGNED	KEF
CHECKED	KEF
DRAWN	CAD
CHECKED	KEF

NOTES:

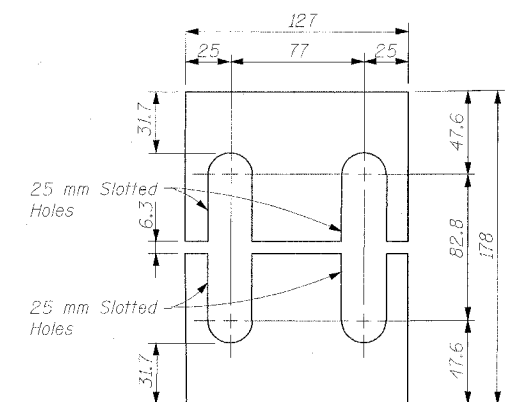
- Railing to conform to vertical and horizontal alignment.
- Joint to be placed 7500 mm center to center, max.
- Slip joint to be placed in panels to match expansion joints in deck.
- Design weight: 9.3 kg. per meter.
- Unless otherwise specified all draft to be 3°.
- All unmarked Radius to be 3 mm R.
- After fabrication, exposed surfaces of aluminum shall be given an anodic oxide coating, dyed black, conforming to the requirements of ASTM designation: B 580, Type B, Architectural Class I.



SECTION A-A



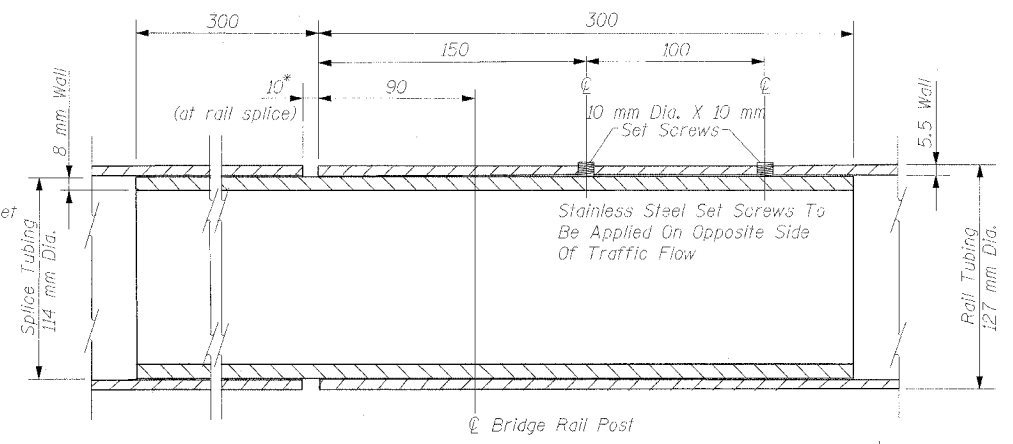
SECTION B-B



SHIM DETAIL

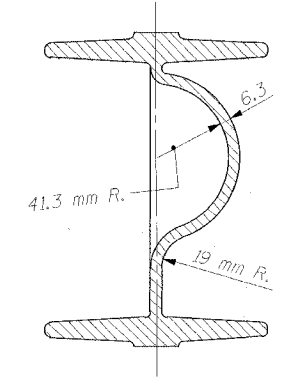
BILL OF MATERIAL

Item	Unit	Quantity
Aluminum Railing, Type H (Special)	m	56

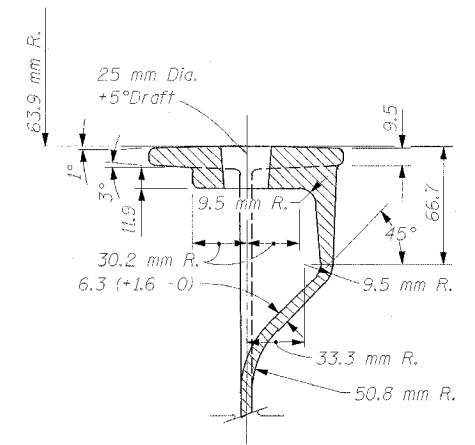


INSIDE SPLICE DETAIL

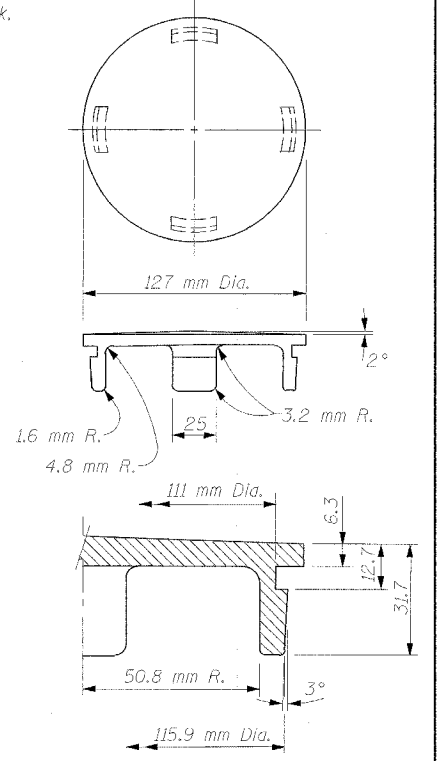
*At bridge expansion joints, match opening of joint in deck.



SECTION C-C



SECTION C-C



RAIL END CAP DETAILS
ALUMINUM RAILING
TYPE H (SPECIAL)

ALUMINUM RAILING,
TYPE H (SPECIAL) DETAILS
WB INTERSTATE 74 OVER
MAIN STREET (IL. RTE. 116)
F.A.I. ROUTE 74 - SEC. (90-11H)BR
TAZEWELL COUNTY
STATION 153+050.716
STRUCTURE NO. 090-0160

