

STATE OF ILLINOIS
DEPARTMENT OF TRANSPORTATION

69281

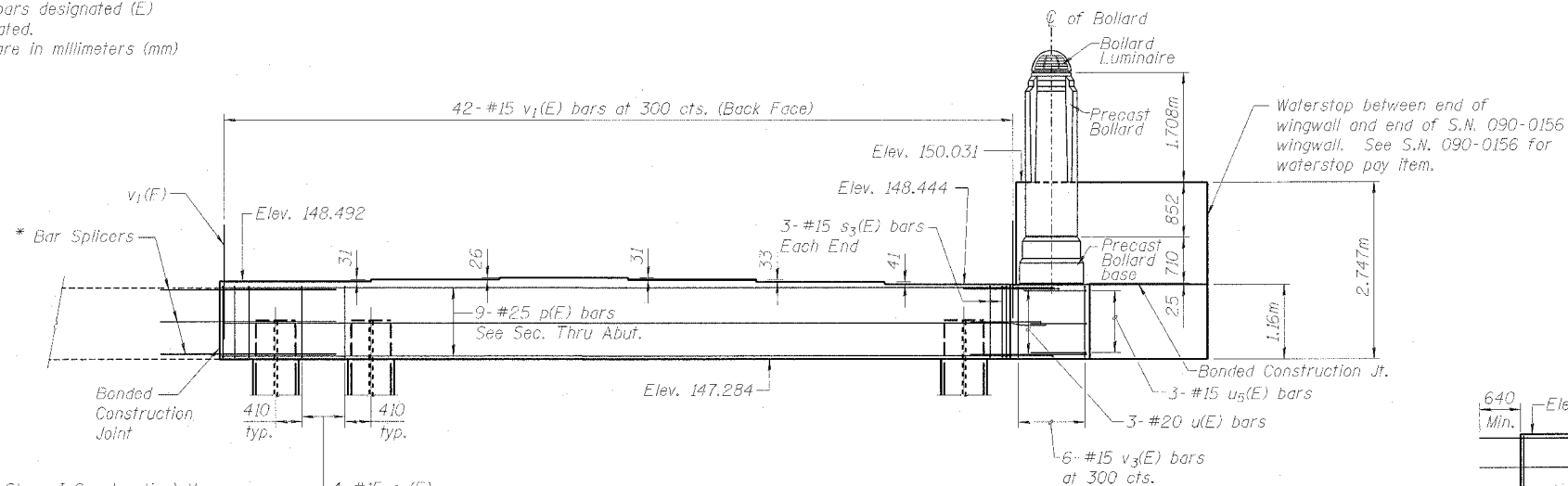
ROUTE NO.	SECTION	COUNTY	TOTAL SHEETS	SHEET NO.	SHEET NO. 17 25 SHEETS
S.B.I. F.A. 1-74	*	TAZEWELL	1366	439	
FED. ROAD DIST. NO. 7		ILLINOIS	FED. AID PROJECT-		

*(90-11HB)BR

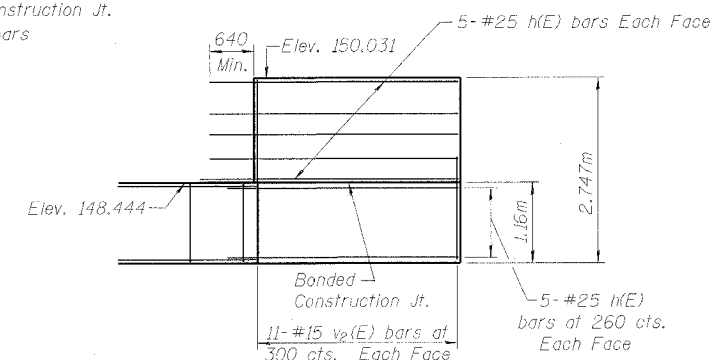
Notes: Pour steps monolithically with cap.
Reinforcement bars designated (E)
shall be epoxy coated.
All dimensions are in millimeters (mm)
except as noted.

BEAM SEAT ELEVATIONS

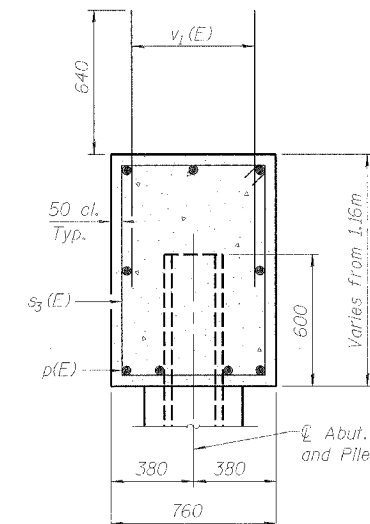
Beam No.	Elev.
1	148.444
2	148.485
3	148.518
4	148.549
5	148.523
6	148.492



ELEVATION
(Looking North)



WINGWALL REINF. DETAIL
(Looking North)



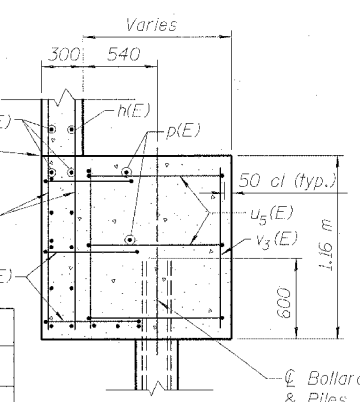
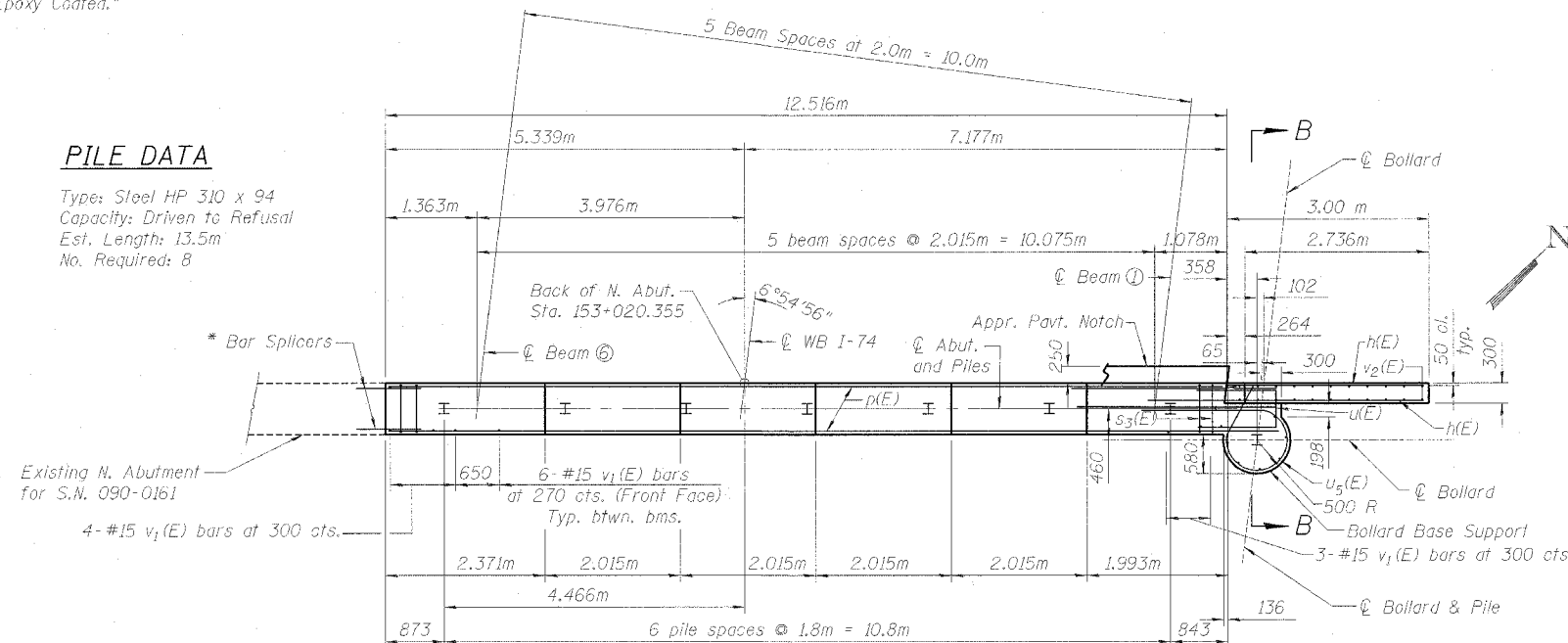
SEC. THRU ABUT.

* IDOT shall supply (from Stage I Construction) the unused portions of the bar splicers to the Contractor with the correct Structure Number and size on them. These formerly unused portions shall be installed by Contractor. Cost is included with "Reinforcement Bars, Epoxy Coated."

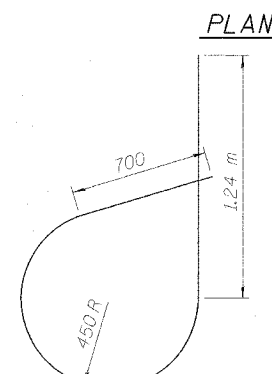
4-#15 s3(E) bars at 240 cts. Typ. between piles in Abut. cap

PILE DATA

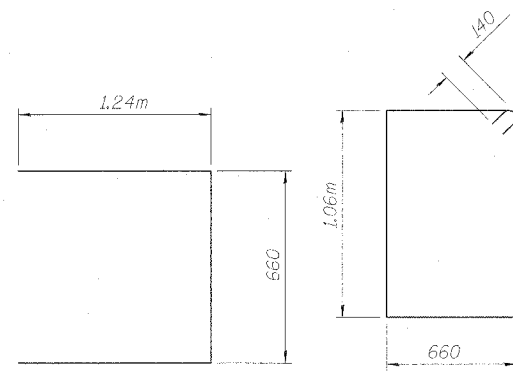
Type: Steel HP 310 x 94
Capacity: Driven to Refusal
Est. Length: 13.5m
No. Required: 8



SECTION B-B



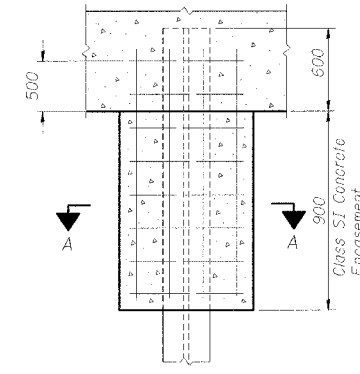
BAR u5(E)



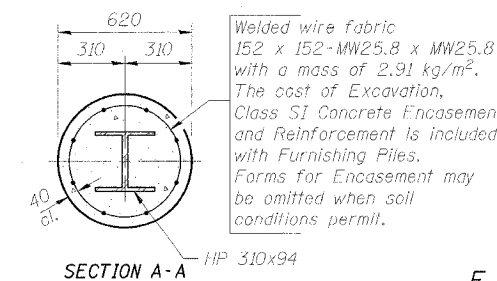
BAR u(E)



BAR s3(E)



PILE ENCASEMENT DETAIL



SECTION A-A
HP 310x94

BILL OF MATERIAL

Bar	No.	Size	Length	Shape
h(E)	20	#25	3.64	—
p(E)	9	#25	13.05	—
s3(E)	30	#15	3.72	□
u(E)	3	#20	3.14	□
u5(E)	3	#15	3.67	□
v1(E)	79	#15	1.28	—
v2(E)	22	#15	2.63	—
v3(E)	6	#15	1.06	—
Concrete Structures		m ³	15.0	
Reinforcement Bars		kg	1220	
Epoxy Coated				
Structure Excavation		m ³	104	
Furnishing Steel Piles		m	108	
HP310 x 94				
Driving Steel Piles		m	108	

NORTH ABUTMENT
WB INTERSTATE 74 OVER
MAIN STREET (IL. RTE. 116)
F.A.I. ROUTE 74 - SEC. (90-11HB)BR
TAZEWELL COUNTY
STATION 153+050.716
STRUCTURE NO. 090-0160



DESIGNED	KEF
CHECKED	KEF
DRAWN	DEM
CHECKED	KEF