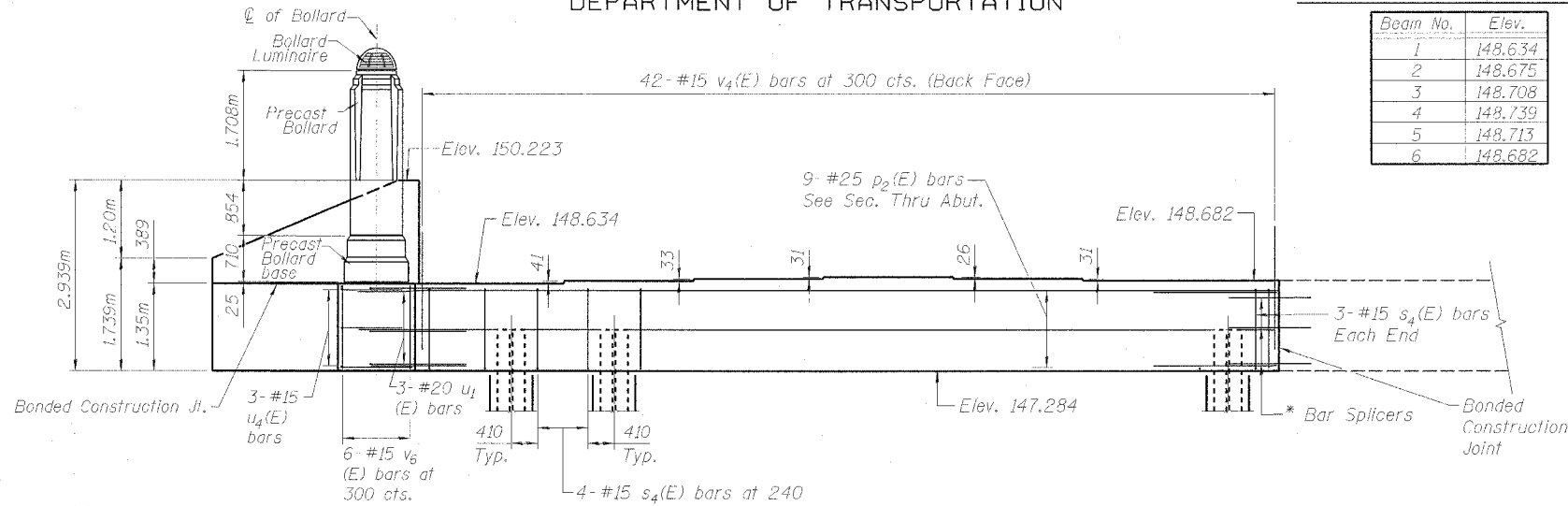


ROUTE NO.	SECTION	COUNTY	TOTAL SHEETS	SHEET NO.	SHEET NO.
S.B. 1	*	TAZEWELL	1366	440	25 SHEETS
F.P. 1-74					
FED. ROAD DIST. NO. 7	ILLINOIS	FED. AID PROJECT			

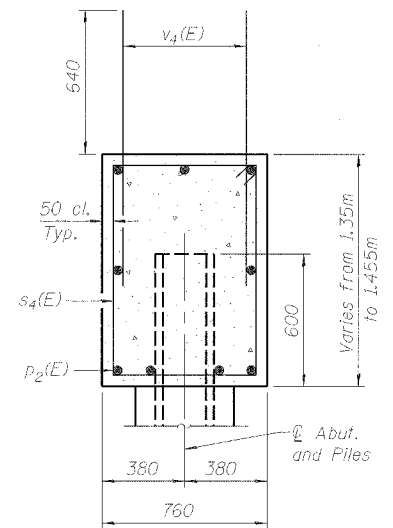
*(90-11HB)BR

Notes: Pour steps monolithically with cap.
Reinforcement bars designated (E)
shall be epoxy coated.
All dimensions are in millimeters (mm)
except as noted.

* IDOT shall supply (from Stage I Construction) the unused portions of the bar splicers to the Contractor with the correct Structure Number and size on them. These formerly unused portions shall be installed by Contractor. Cost is included with "Reinforcement Bars, Epoxy Coated."



Beam No.	Elev.
1	148.634
2	148.675
3	148.708
4	148.739
5	148.713
6	148.682

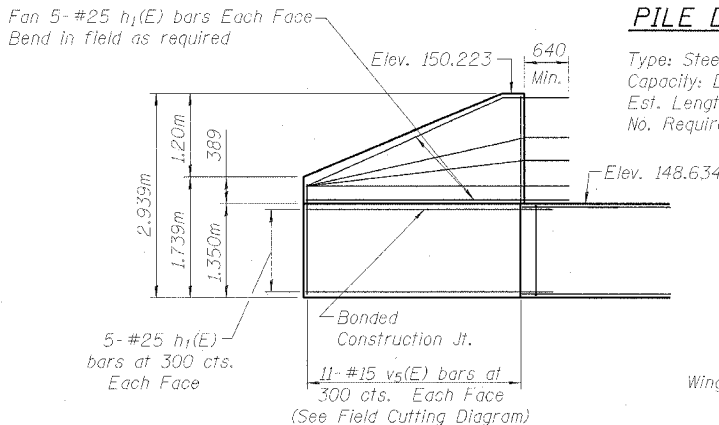
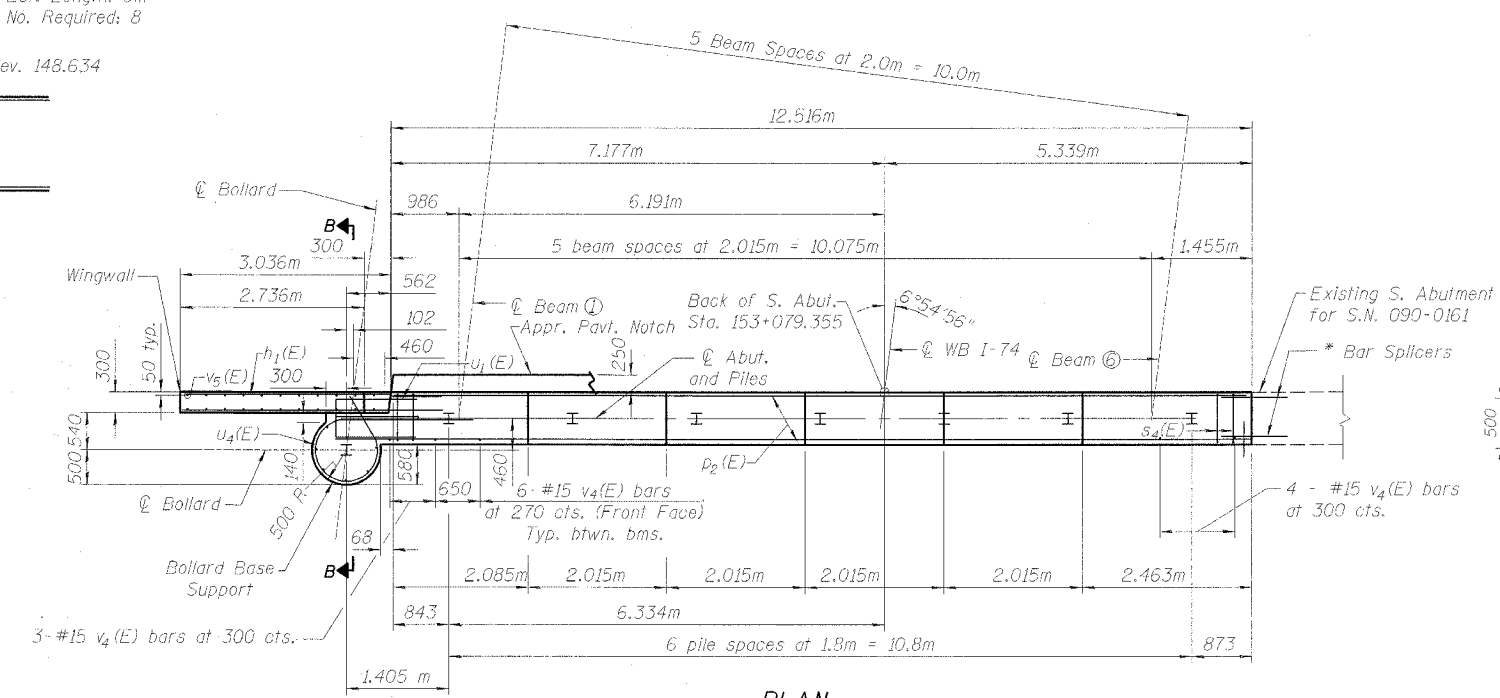


SEC. THRU ABUT.

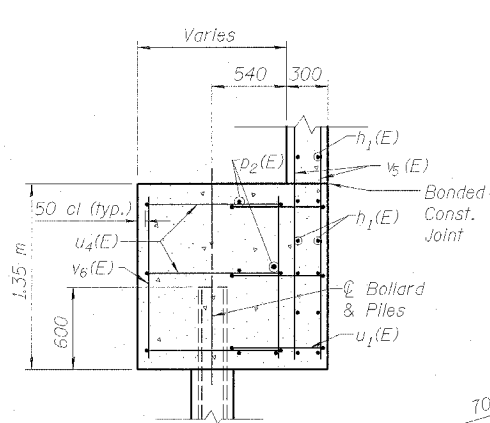
PILE DATA

Type: Steel HP 310 x 94
Capacity: Driven to Refusal
Est. Length: 9m
No. Required: 8

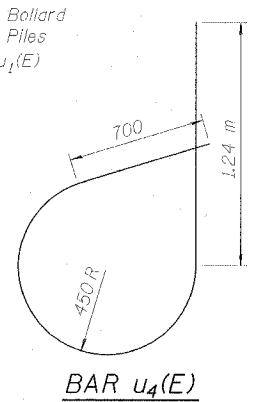
ELEVATION
(Looking South)



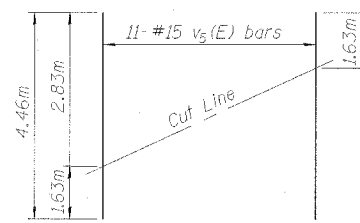
WINGWALL REINF. DETAIL
(Looking South)



SECTION B-B

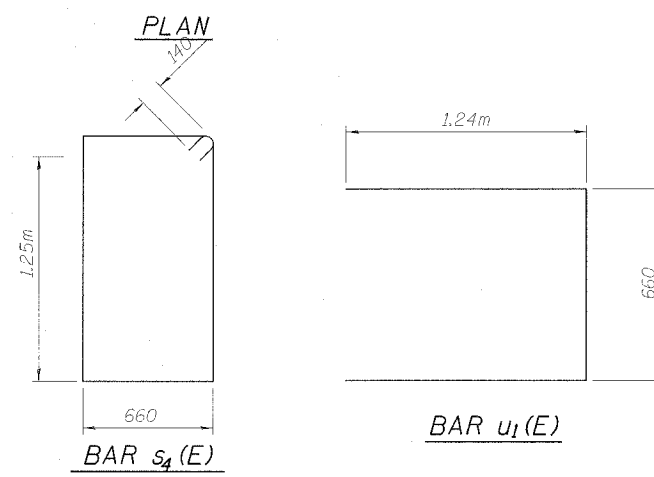


BAR u4(E)



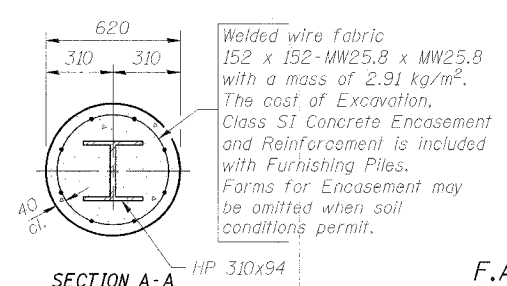
FIELD CUTTING DIAGRAM

Order v5(E) full length. Cut as shown and use remainder of bars in opposite face.



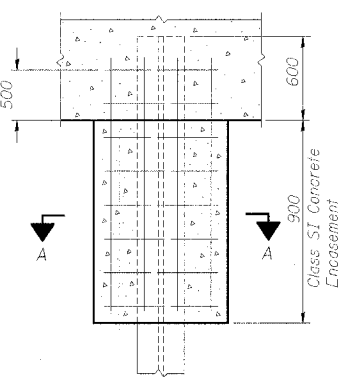
BAR s4(E)

BAR u1(E)



SECTION A-A

PILE ENCASEMENT DETAIL



BILL OF MATERIAL

Bar	No.	Size	Length	Shape
h1(E)	20	#25	3.93	—
p2(E)	9	#25	13.00	—
s4(E)	30	#15	4.10	□
u1(E)	3	#20	3.14	U
u4(E)	3	#15	3.67	U
v4(E)	79	#15	1.28	—
v5(E)	11	#15	4.46	—
v6(E)	6	#15	1.25	—
Concrete Structures		cu m	16.8	
Reinforcement Bars Epoxy Coated		kg	1250	
Structure Excavation		cu m	128	
Furnishing Steel Piles HP 310X94		m	72	
Driving Steel Piles		m	72	

DESIGNED	KEF
CHECKED	KEF
DRAWN	DEM
CHECKED	KEF

Welded wire fabric 152 x 152-MW25.8 x MW25.8 with a mass of 2.91 kg/m². The cost of Excavation, Class SI Concrete Encasement and Reinforcement is included with Furnishing Piles. Forms for Encasement may be omitted when soil conditions permit.



SOUTH ABUTMENT
WB INTERSTATE 74 OVER
MAIN STREET (IL. RTE. 116)
F.A.I. ROUTE 74 - SEC. (90-11HB)BR
TAZEWELL COUNTY
STATION 153+050.716
STRUCTURE NO. 090-0160