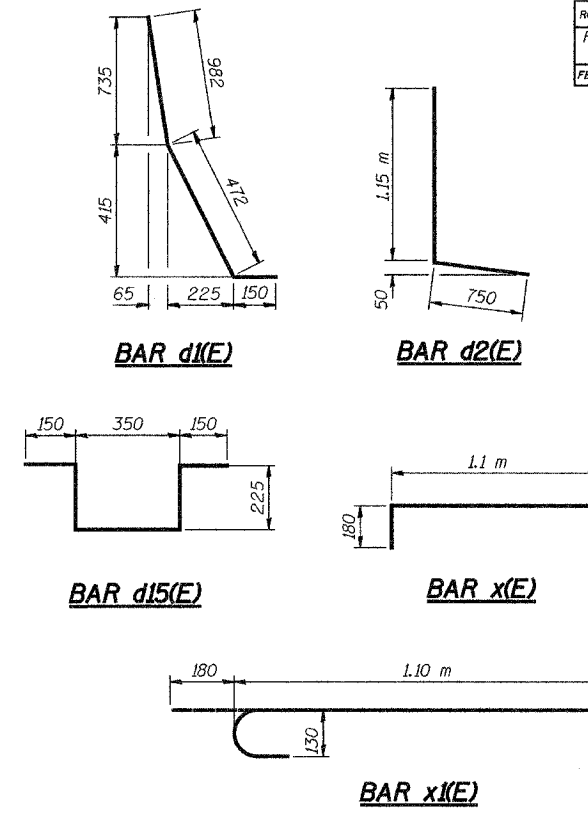
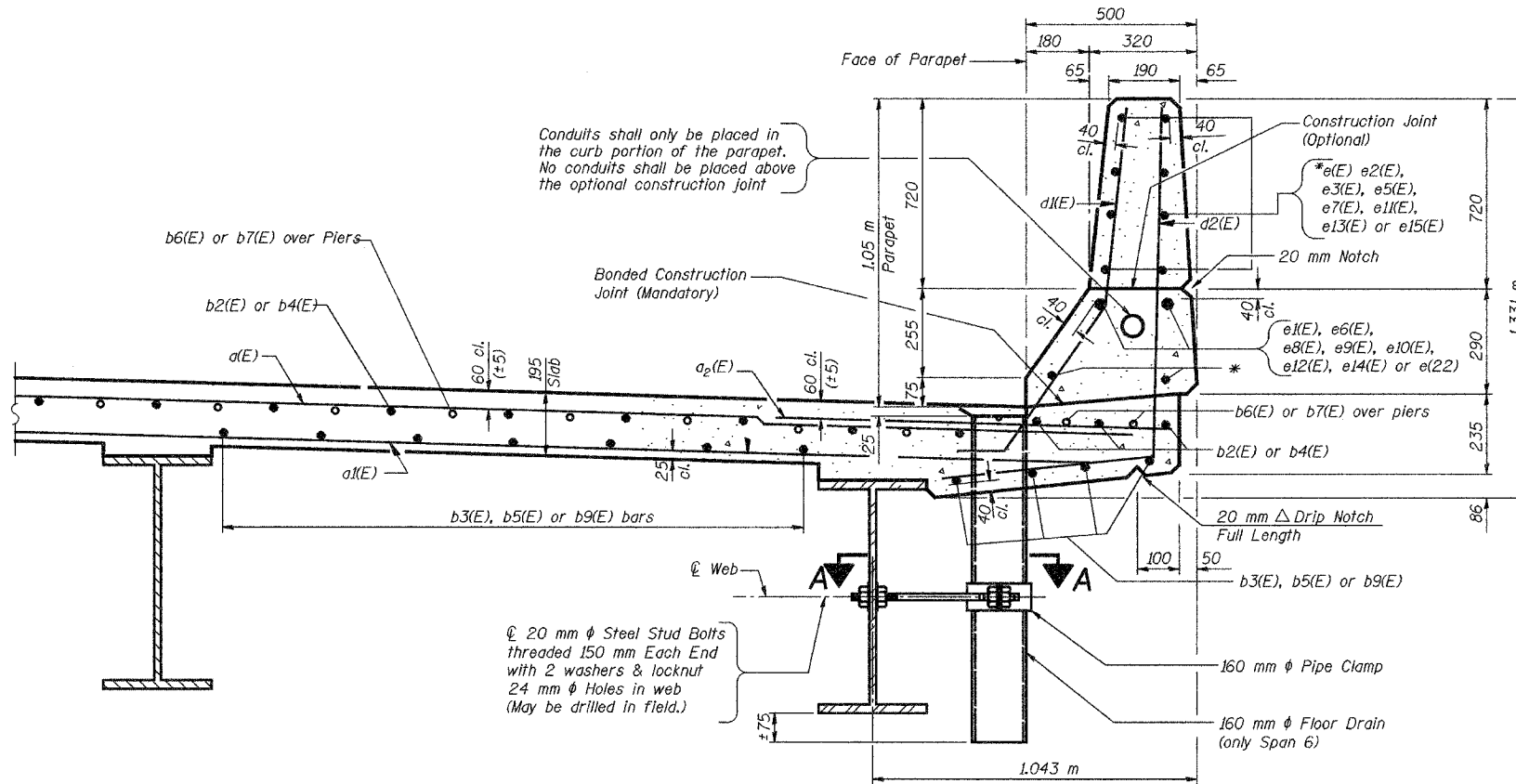


STATE OF ILLINOIS  
DEPARTMENT OF TRANSPORTATION

ROUTE NO.	SECTION	COUNTY	TOTAL SHEETS	SHEET NO.
F.A.I. 74	90-13HVBIBY	TAZEWELL	1366/466	18
FED. ROAD DIST. NO. 7		ILLINOIS	FED. AID PROJECT-	

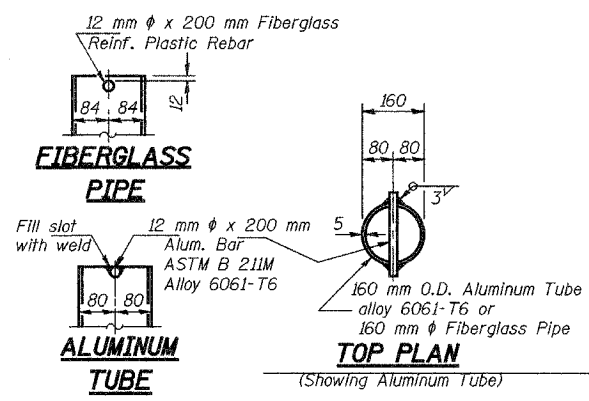
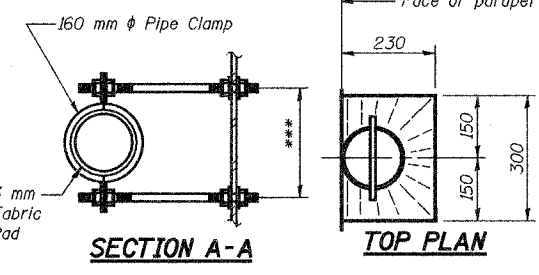
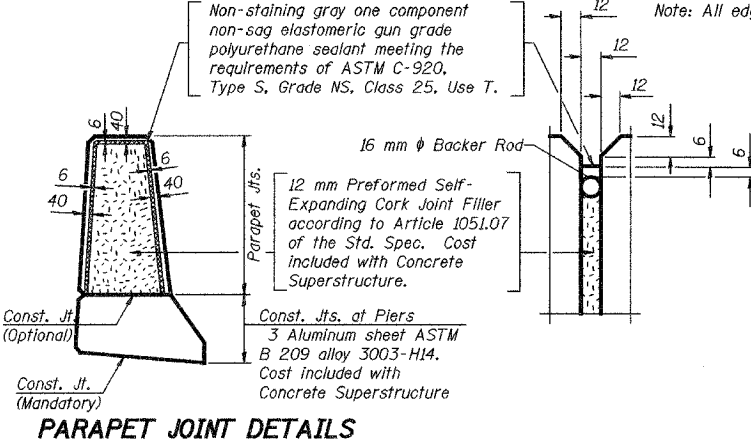
SHEET NO. 18  
68 SHEETS



**SUPERSTRUCTURE  
BILL OF MATERIAL**

Bar	No.	Size	Length (m)	Shape
a(E)	4869	#15	5.00	—
a1(E)	2212	#15	7.25	—
a2(E)	811	#20	1.2	—
a3(E)	64	#15	6.1	—
a13(E)	56	#15	0.6	—
b2(E)	100	#15	7.60	—
b3(E)	132	#15	5.20	—
b4(E)	1400	#15	8.74	—
b5(E)	1232	#15	8.20	—
b6(E)	294	#20	8.3	—
b7(E)	294	#20	8.82	—
b9(E)	132	#15	6.10	—
d1(E)	891	#15	1.36	—
d2(E)	818	#15	1.9	—
d15(E)	1634	#15	1.1	—
e(E)	12	#15	7.70	—
e1(E)	16	#25	8.10	—
e2(E)	10	#15	6.4	—
e3(E)	6	#15	7.6	—
e5(E)	16	#15	8.3	—
e6(E)	16	#25	8.6	—
e7(E)	36	#15	5.47	—
e8(E)	8	#25	5.47	—
e9(E)	6	#25	6.5	—
e10(E)	4	#25	6.43	—
e11(E)	18	#15	6.21	—
e12(E)	4	#25	6.21	—
e13(E)	10	#15	7.2	—
e14(E)	16	#25	7.0	—
e15(E)	4	#15	8.7	—
e22(E)	6	#25	6.3	—
e23(E)	24	#15	1.28	—
e24(E)	96	#15	1.28	—
e25(E)	48	#15	4.78	—
e26(E)	24	#15	5.12	—
e27(E)	24	#15	4.81	—
e28(E)	56	#15	5.61	—
e29(E)	32	#15	5.44	—
x(E)	235	#15	4.8	—
x1(E)	94	#15	5.31	—
Reinforcement Bars, Epoxy Coated			kg	130,410
Concrete Superstructure			m <sup>3</sup>	861.5
Bridge Deck Grooving			m <sup>2</sup>	3,799
Protective Coat			m <sup>2</sup>	4,787
Floor Drains			Each	7

**FLOOR DRAIN AND FASCIA PARAPET DETAILS  
(FLOOR DRAINS ONLY IN SPAN 6)**



- Notes:
- The exterior surfaces of the floor drains shall be painted with the finish coat as specified in the special provisions for Cleaning and Painting New Metal Structures. The exterior surfaces of the drains shall be cleaned according to Steel Structures Painting Council's Spec. SSPC-SPI prior to painting.
  - Fiberglass pipe shall conform to ASTM D 2996, with short-time rupture strength hoop tensile stress of 200 MPa minimum.
  - All dimensions are in millimeters (mm) except as noted.
  - Reinforcement bars designated (E) shall be epoxy coated.

S-1-D (M) 4-30-99

**DECK DETAILS**

Date	Designed EV	WESTBOUND F.A.I. ROUTE 74 OVER CAMP STREET, FARM CREEK, AND TP&W RR F.A.I. RTE. 74 SECTION (90-13HVB)BY TAZEWELL COUNTY STATION 153+625.193 STRUCTURE NO. 090-0009	Sheet No. <b>18</b> of 68
Revisions	Drawn EV		
	Checked NPP		
	Approved NPP		
Prepared By: BRW, Inc. A Division of URS		1701 Golf Rd., Suite 1000 Rolling Meadows, IL.	BRW Job No. 17049-071