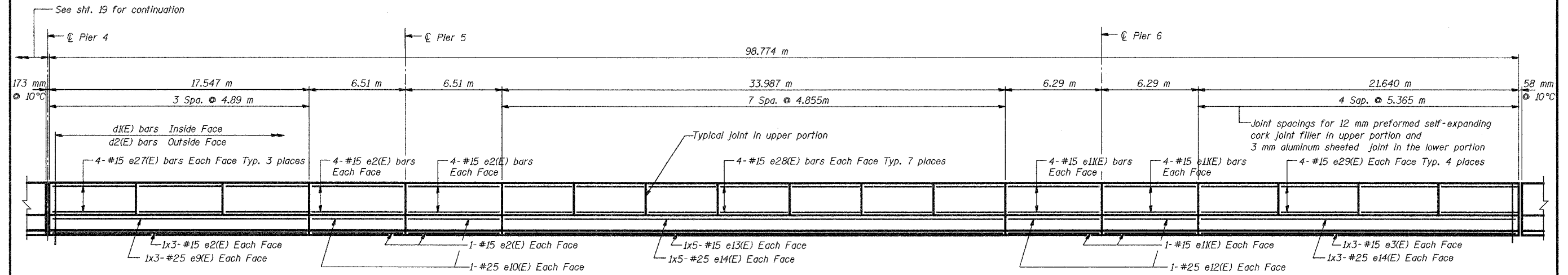


STATE OF ILLINOIS
DEPARTMENT OF TRANSPORTATION

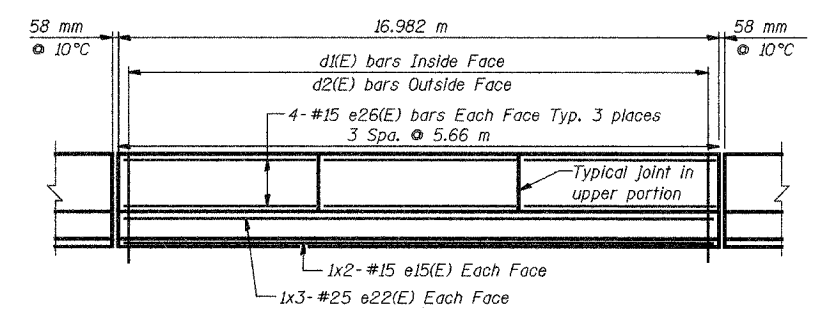
68201

ROUTE NO.	SECTION	COUNTY	TOTAL SHEETS	SHEET NO.
F.A.I. 74	90-13HVB	TAZEWELL	1306	468
FED. ROAD DIST. NO. 7	ILLINOIS	FED. AID PROJECT		

SHEET NO. 20
68 SHEETS



SPANS 5, 6 & 7 PARAPET



SPAN 8 PARAPET

- Notes:
1. Work this sheet with sheet No's 10 through 19.
 2. Reinforcement bars designated (E) shall be Epoxy Coated.
 3. For Neoprene Expansion Joint Details see sheet No. 21.
 4. Bars indicated thus "60x4-#15" etc. indicates 60 lines of bars with 4 lengths per line.
 5. Min. bar lap for a #15 bar shall be 510 mm. and for #25 bar shall be 1.01 m.
 6. For bill of materials and reinforcement details see sht. 18.
 7. For finger plate joint details see shts. 22 through 25.

PARAPET REINFORCEMENT DETAILS			
Date	Designed	EV	WESTBOUND F.A.I. ROUTE 74 OVER CAMP STREET, FARM CREEK, AND TP&W RR F.A.I. RTE. 74 SECTION (90-13HVB) BY TAZEWELL COUNTY STATION 153+625.193 STRUCTURE NO. 090-0009
Revisions	Drawn	EV	
	Checked	NPP	
	Approved	NPP	
	Prepared By:	BRW, Inc. A Division of URS	
		1701 Golf Rd., Suite 1000 Rolling Meadows, IL.	Sheet No. 20 of 68
			BRW Job No. 17049-071