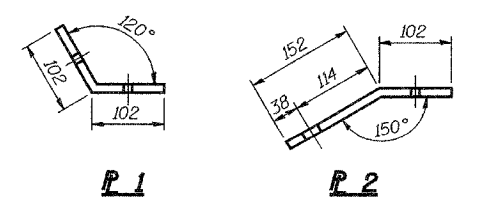
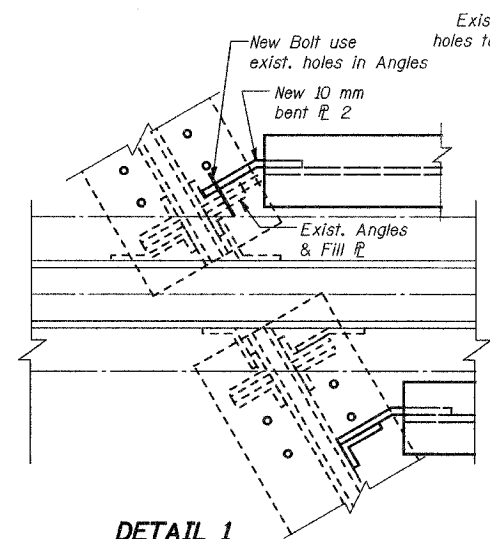
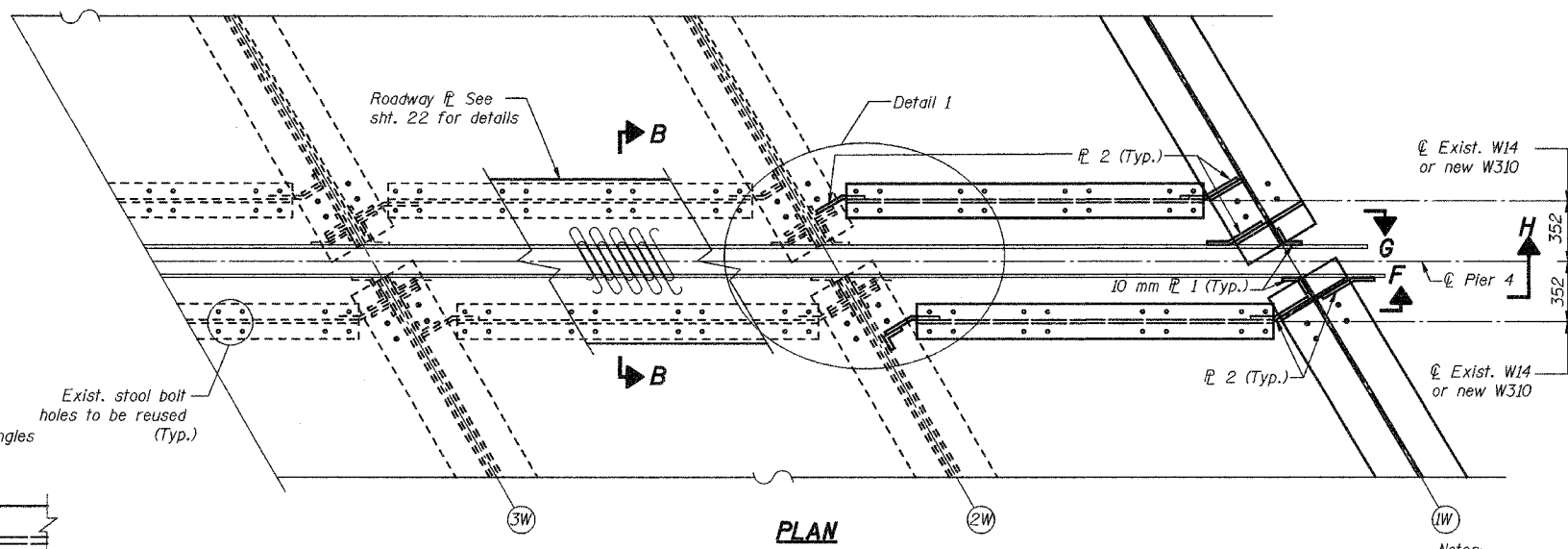
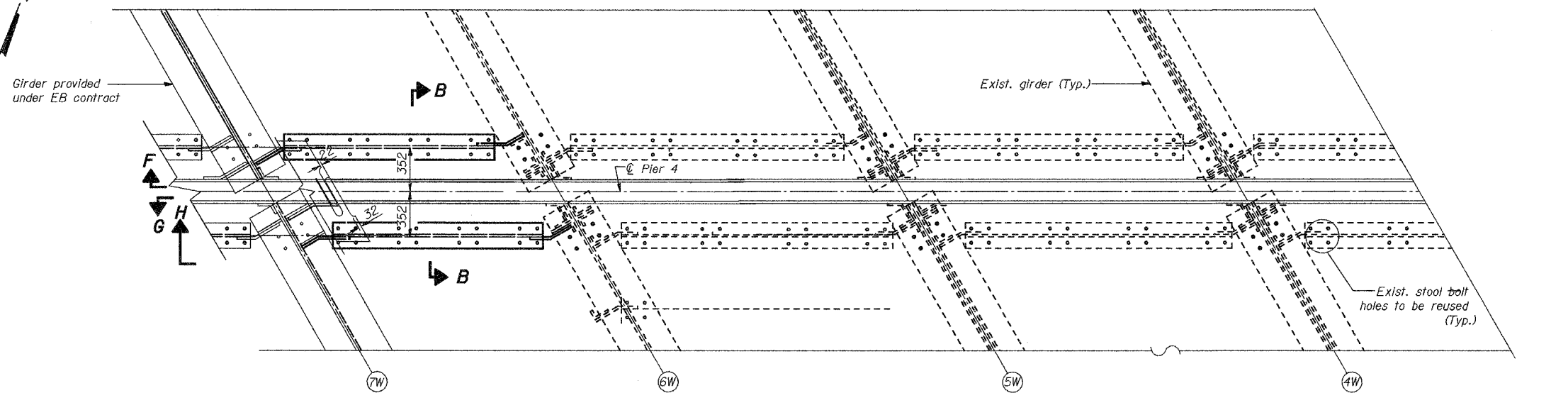


STATE OF ILLINOIS
DEPARTMENT OF TRANSPORTATION

ROUTE NO.	SECTION	COUNTY	TOTAL SHEETS	SHEET NO.
F.A.I. 74	90-13HVB	TAZEWELL	1366	471
FED. ROAD DIST. NO. 7	ILLINOIS	FED. AID PROJECT		

SHEET NO. 23
68 SHEETS



BENT CONNECTION PLATE DETAILS

Notes:
See sht. 24 for sections F-F & G-G.
See sht. 22 for sections B-B & H-H.

FINGERPLATE PLAN AND DIAPHRAGMS

Date	Designed	EV	WESTBOUND F.A.I. ROUTE 74 OVER CAMP STREET, FARM CREEK, AND TP&W RR F.A.I. RTE. 74 SECTION (90-13HVB) BY TAZEWELL COUNTY STATION 153+625.193 STRUCTURE NO. 090-0009	Sheet No. 23 of 68 BRW Job No. 17049-071
Revisions	Drawn	EV		
	Checked	NPP		
	Approved	NPP		
Prepared By: BRW, Inc. A Division of URS			1701 Golf Rd., Suite 1000 Rolling Meadows, IL.	