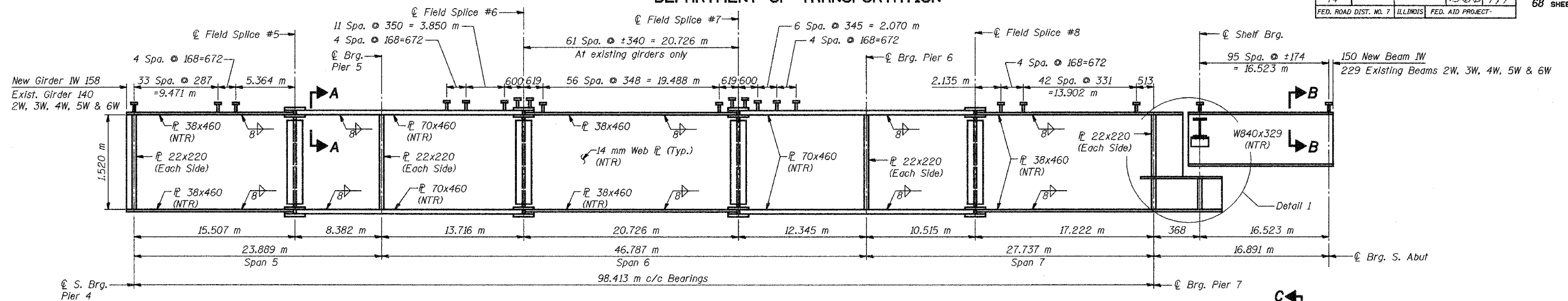


STATE OF ILLINOIS
DEPARTMENT OF TRANSPORTATION

ROUTE NO.	SECTION	COUNTY	TOTAL SHEETS	SHEET NO.
F.A.I. 74	90-13HVBY	TAZEWELL	136	477
FED. ROAD DIST. NO. 7	ILLINOIS	FED. AID PROJECT-		

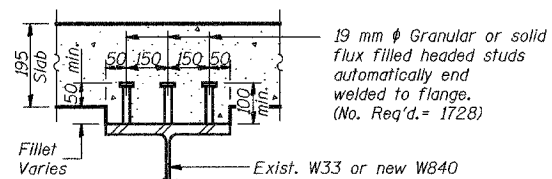
SHEET NO. 29
68 SHEETS



GIRDER ELEVATION-SPANS 5, 6, 7 & 8

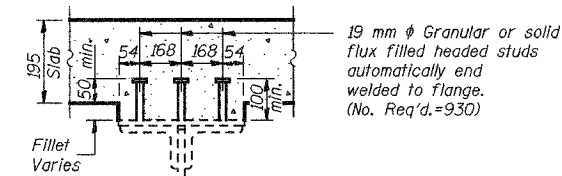
GIRDER (W)

Cross frame connection plates are not shown. See shts. 27 and 31 for locations and details.
"NTR" denotes plates to which notch toughness requirements are applicable.
All plates of the girders, including bearing stiffeners, shall be AASHTO M 270M Grade 250.



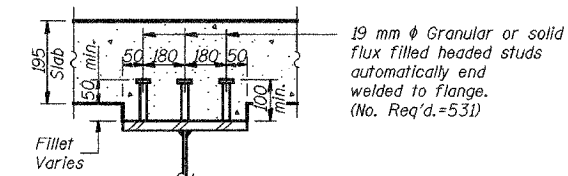
SECTION B-B

All Beams



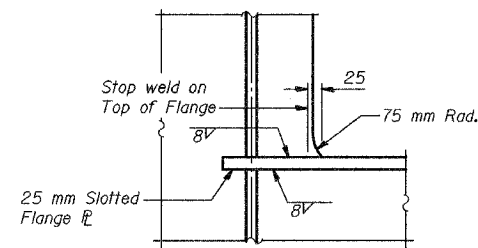
SECTION A-A

Existing Girders (2W), (3W), (4W), (5W) & (6W) with coverplates
Space Connectors to miss existing rivets & end of coverplate

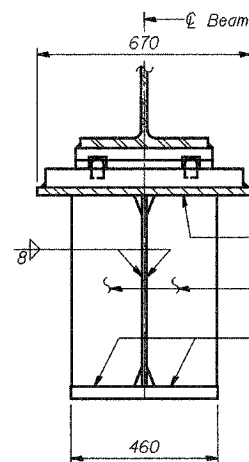


SECTION A-A

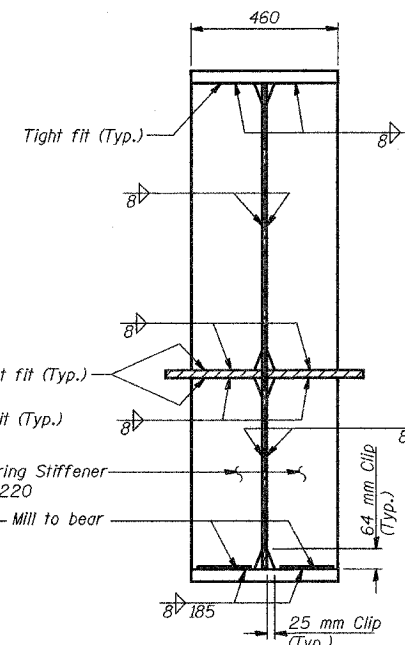
New Girder (IW)
Includes Connectors for top flange splice plate
See Detail on sht. 32



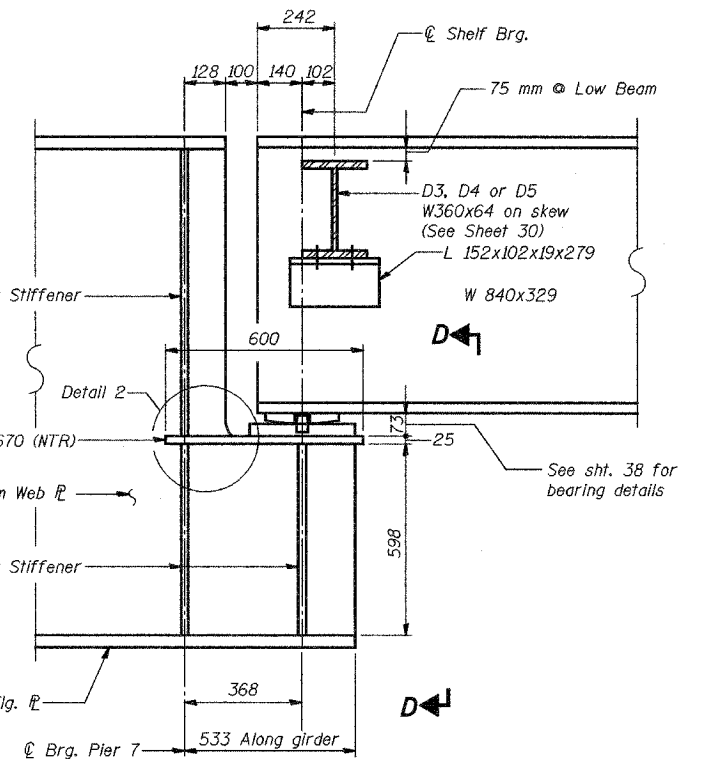
DETAIL 2



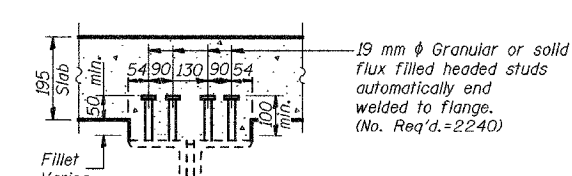
SECTION D-D



SECTION C-C



DETAIL 1



SECTION A-A

Existing Girders (2W), (3W), (4W), (5W) & (6W) without coverplates

- Notes:
1. Work this sht. with sht. 26.
2. See sht. 32 for bearing stiffener details.
3. See sht. 32 for splice details.

STEEL DETAILS-SPANS 5, 6, 7 & 8

Date	Designed AEU	WESTBOUND F.A.I. ROUTE 74 OVER CAMP STREET, FARM CREEK, AND TP&W RR F.A.I. RTE. 74 SECTION (90-13HVBY) TAZEWELL COUNTY STATION 153+625.193 STRUCTURE NO. 090-0009	Sheet No.
Revisions	Drawn SOI		29
	Checked NPP		of 68
	Approved NPP		BRW Job No. 17049-071
Prepared By: BRW, Inc. A Division of URS		1701 Golf Rd., Suite 1000 Rolling Meadows, IL.	