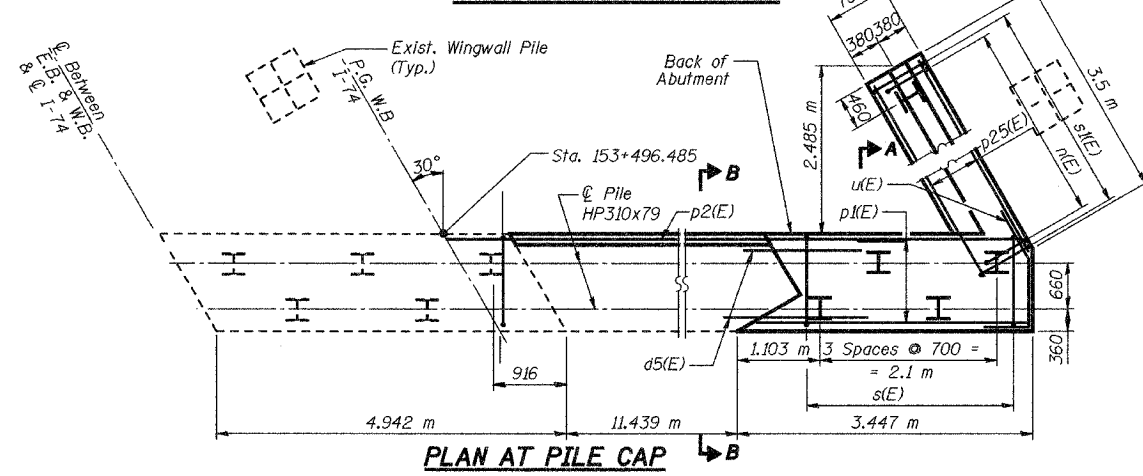
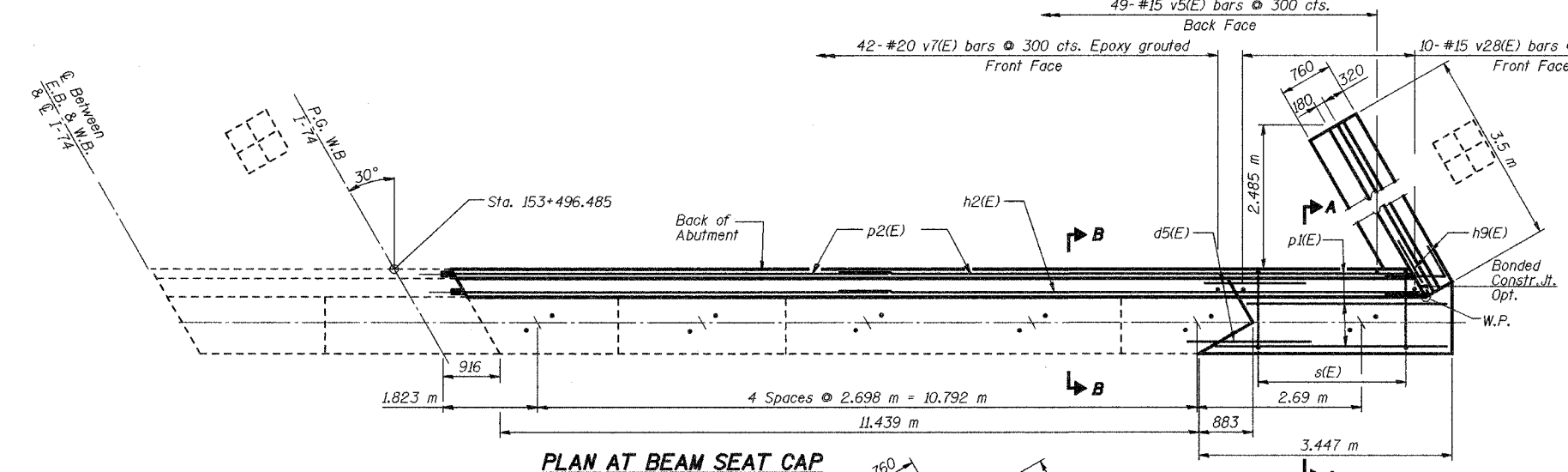
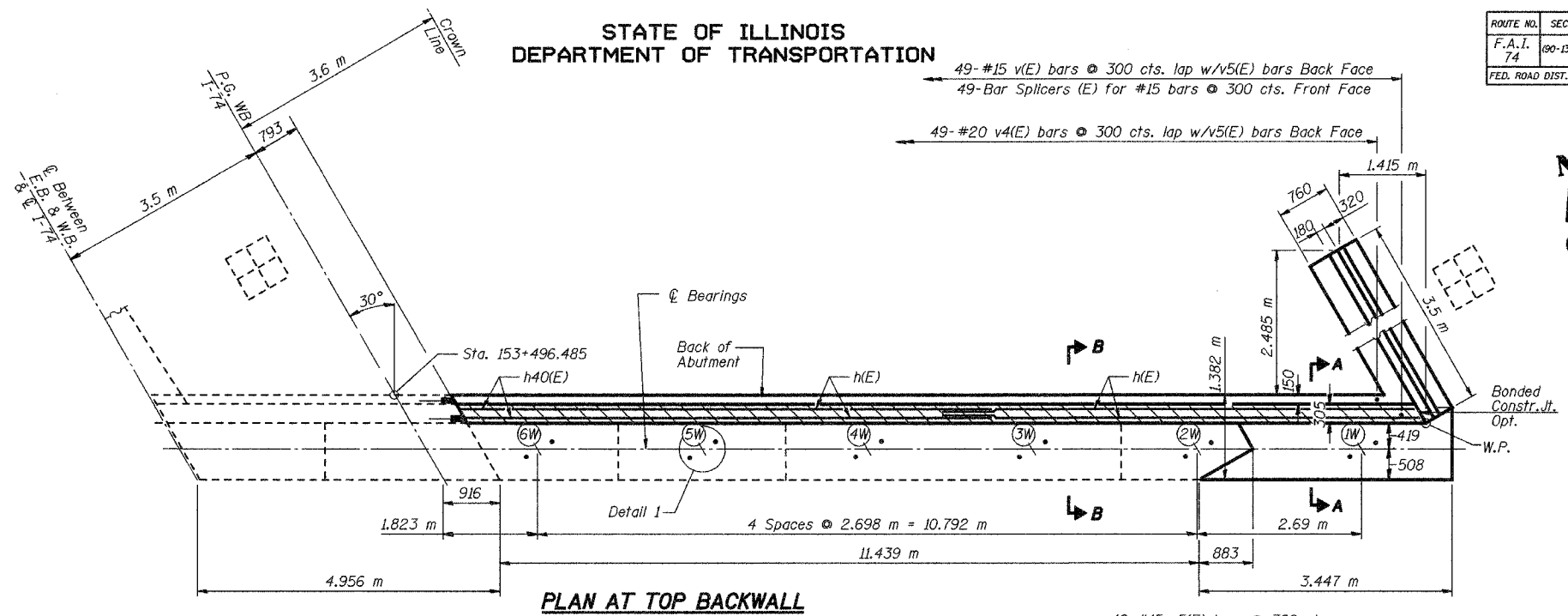


STATE OF ILLINOIS
DEPARTMENT OF TRANSPORTATION

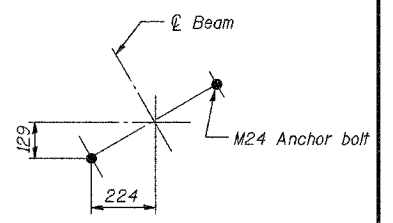
ROUTE NO.	SECTION	COUNTY	TOTAL SHEETS	SHEET NO.
F.A.I. 74	90-13HVB/BY	TAZEWELL	1366	491
FED. ROAD DIST. NO. 7	ILLINOIS	FED. AID PROJECT		

SHEET NO. 43
68 SHEETS



PILE DATA

Type: Steel HP310x79 Piles
Capacity: Driven to Refusal
Est. Length: 11 m
No. Required: 5 (4+1 Test Pile)



- NOTES:**
1. Work this Sheet with Sheets 44 and 45.
 2. See Sheet 44 for Notes.
 3. See Sheet 42 for abutment removal details.
 4. All dimensions are in millimeters (mm) except as noted.
 5. Reinforcement bars designated (E) shall be epoxy coated.

Date	Designed	EV	WESTBOUND F.A.I. ROUTE 74 OVER CAMP STREET, FARM CREEK, AND TP&W RR F.A.I. RTE. 74 SECTION (90-13HVB)BY TAZEWELL COUNTY STATION 153+625.193 STRUCTURE NO. 090-0009	Sheet No.
Revisions	Drawn	EV		43
	Checked	NPP		of 68
	Approved	NPP		BRW Job No. 17049-071
Prepared By: BRW, Inc. A Division of URS			1701 Golf Rd., Suite 1000 Rolling Meadows, IL.	