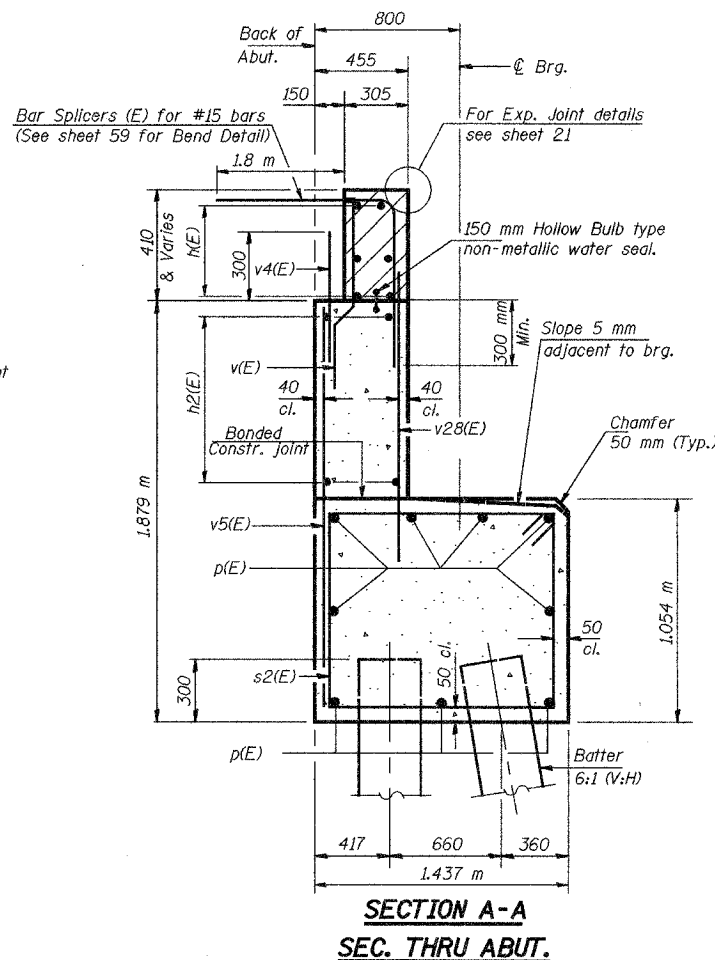
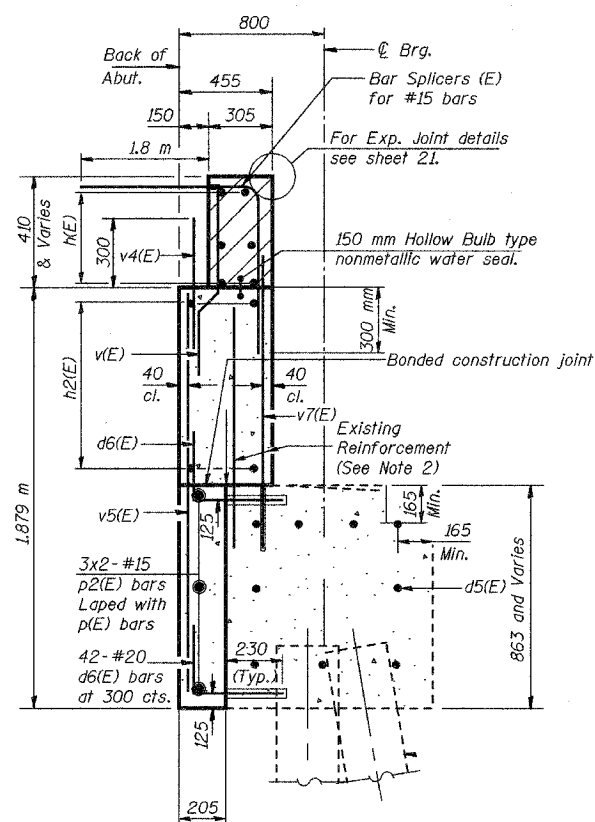
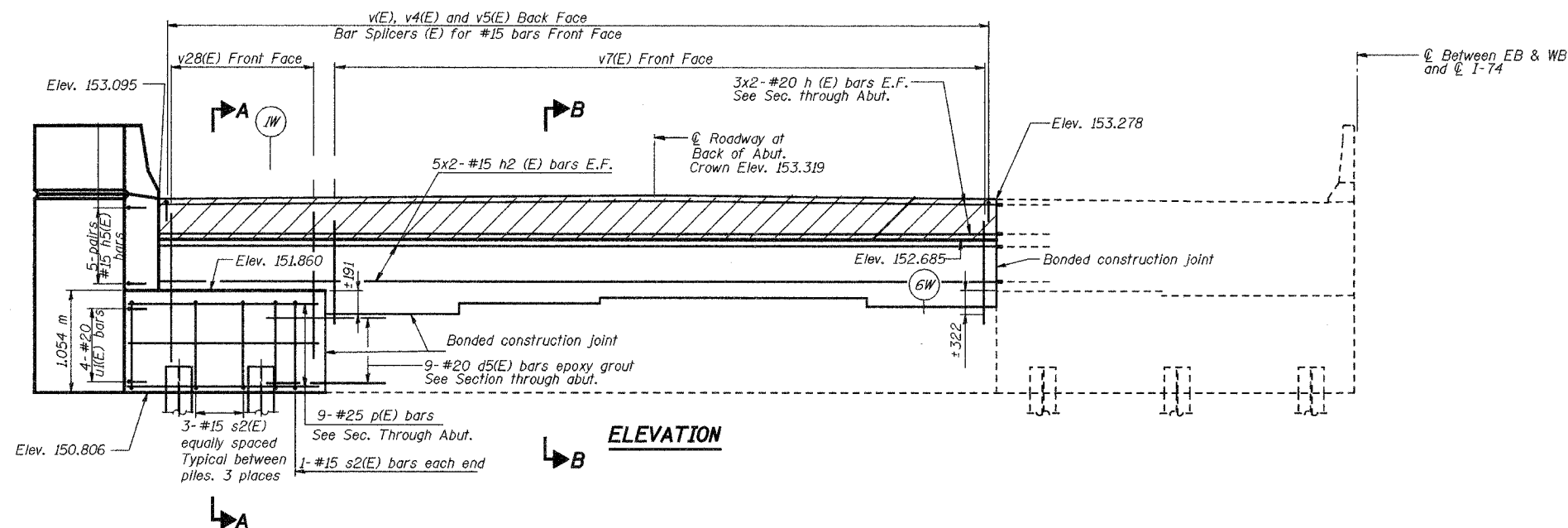


STATE OF ILLINOIS  
DEPARTMENT OF TRANSPORTATION

ROUTE NO.	SECTION	COUNTY	TOTAL SHEETS	SHEET NO.
F.A.I. 74	90-13HVB	TAZEWELL	1366	495
FED. ROAD DIST. NO. 7	ILLINOIS	FED. AID PROJECT-		

SHEET NO. 47  
68 SHEETS



**Notes:**

1. Remove Existing backwall down to top of Existing beam seat. Remove wingwalls, clean and provide Bonded Construction Joint at the back of the Abutment Cap. See Sht. 46 for details.
2. Existing reinforcement shall be cleaned, straightened and incorporated into the new construction.
3. Hatched area to be poured after superstructure falsework has been removed. Quantity of Concrete included with Concrete Superstructure.
4. Space reinforcement in cap to miss anchor bolts.
5. Reinforcement bars designated (E) shall be epoxy coated.
6. Epoxy grout bars d5(E), d6(E) & v7(E) in 230 mm minimum deep drilled holes in accordance with IDOT Standard Specification Section 584.
7. Lap length for #15 bar is 890 mm, #20 bars is 1.11 m, and #25 is 1.85 m.
8. See Sheet 48 for Bill of Materials and Bar Bend Details.
9. Bars indicated thus 20x3-#5 etc. indicates 20 lines of bars with 3 lengths per line.
10. Quantity of concrete in end posts included with Concrete Superstructure on sheet-18.
11. All dimensions are in millimeters (mm) except as noted.
12. Work this Sheet with Sheets 46 and 48.
13. Bonded Construction joint at interface between existing abutment and new extension shall be in accordance with Article 503.09(a)(2) of the Standard Specifications.
14. The remaining portions of the bar splicers provided for the WB backwall under EB contract shall be obtained from the Engineer by the Contractor and shall be incorporated in the WB abutment backwall reinforcement.

**SOUTH ABUTMENT EXTENSION ELEVATION**

Date	Designed	MR	WESTBOUND F.A.I. ROUTE 74 OVER CAMP STREET, FARM CREEK, AND TP&W RR F.A.I. RTE. 74 SECTION (90-13HVB)BY TAZEWELL COUNTY STATION 153+625.193 STRUCTURE NO. 090-0009	Sheet No.	
Revisions	Drawn	MR		<b>47</b>	of 68
	Checked	NPP			
	Approved	NPP			
Prepared By: BRW, Inc. A Division of URS			1701 Golf Rd., Suite 1000 Rolling Meadows, IL.	BRW Job No. 17049-071	