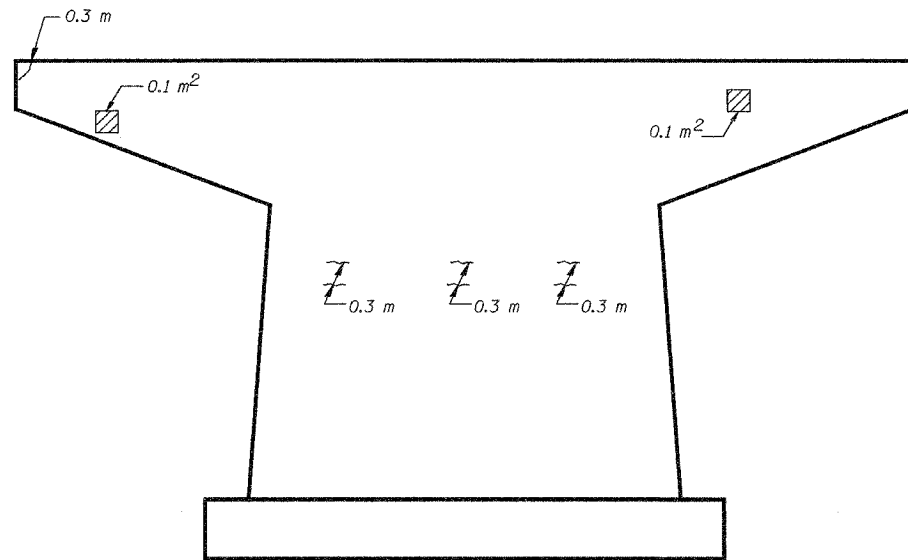


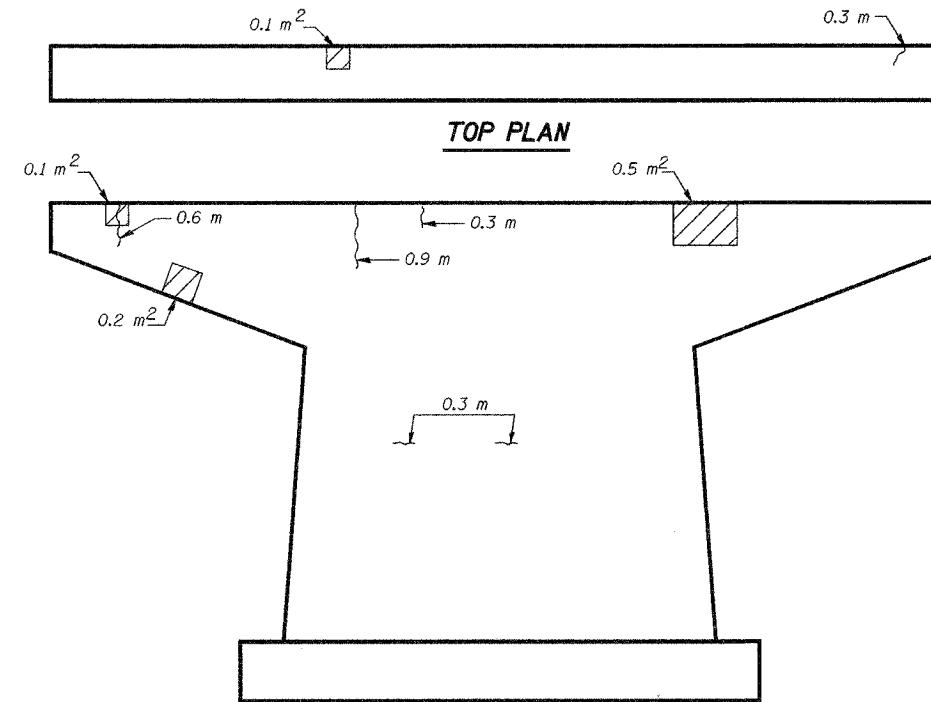
STATE OF ILLINOIS  
DEPARTMENT OF TRANSPORTATION

ROUTE NO.	SECTION	COUNTY	TOTAL SHEETS	SHEET NO.
F.A.I. 74	90-13HVBY	TAZEWELL	1366	497
FED. ROAD DIST. NO. 7	ILLINOIS	FED. AID PROJECT-		

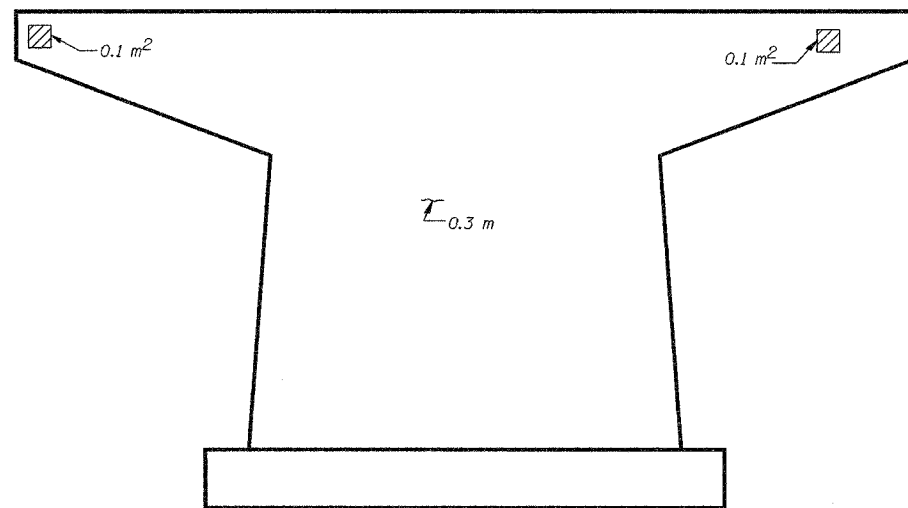
SHEET NO. 49  
68 SHEETS



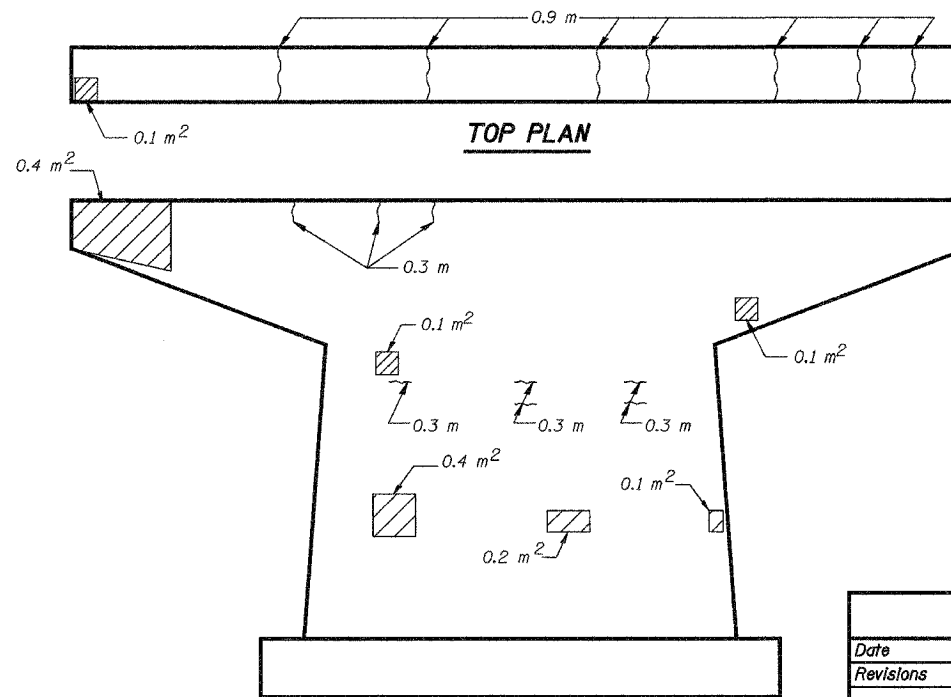
**ELEVATION**  
(Pier 1, Looking South)



**ELEVATION**  
(Pier 1, Looking North)



**ELEVATION**  
(Pier 2, Looking South)



**ELEVATION**  
(Pier 2, Looking North)

**LEGEND:**

- Formed Concrete Repair  
Depth equal to or less than 125 mm
- 1.0 m } Epoxy Crack Sealing

\* The Contractor shall verify soundness of existing concrete at the locations shown for repair.

**BILL OF MATERIAL - PIER 1 & PIER 2**

ITEM	UNIT	TOTAL
Formed Concrete Repair (Depth equal to or less than 125 mm)	SQ. M.	** 3.1
Epoxy Crack Sealing	M	** 15.9

\*\* The estimated quantities include an increase of 15% to reflect any future damage areas.

Note:  
All crack lengths and repair areas are approximates.

**PIERS 1 AND 2 REPAIRS**

Date	Designed EV	WESTBOUND F.A.I. ROUTE 74 OVER CAMP STREET, FARM CREEK, AND TP&W RR F.A.I. RTE. 74 SECTION (90-13HVBY)BY TAZEWELL COUNTY STATION 153+625.193 STRUCTURE NO. 090-0009	Sheet No. <b>49</b> of 68
Revisions	Drawn EV		
	Checked NPP		
	Approved NPP		
Prepared By: BRW, Inc. A Division of URS		1701 Golf Rd., Suite 1000 Rolling Meadows, IL.	BRW Job No. 17049-071