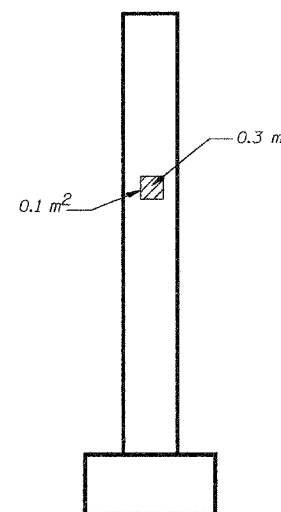
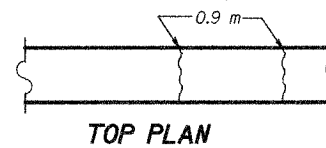


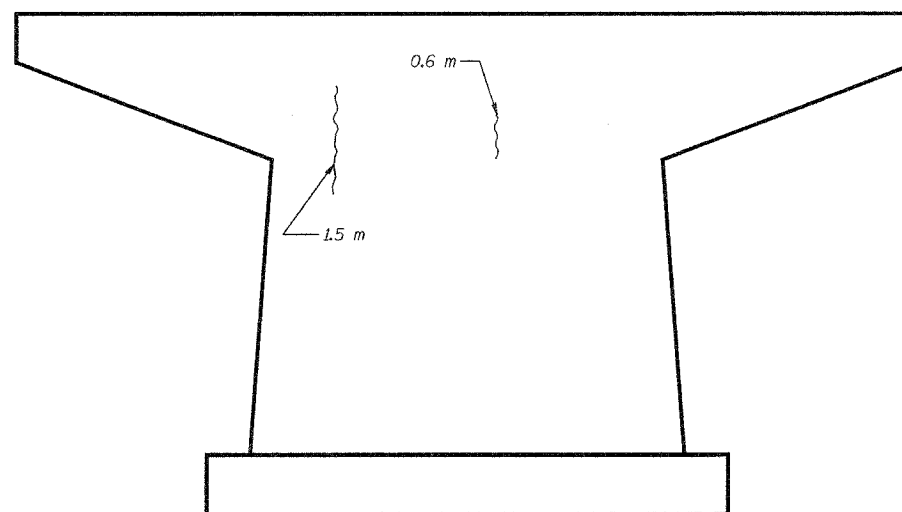
STATE OF ILLINOIS
DEPARTMENT OF TRANSPORTATION

ROUTE NO.	SECTION	COUNTY	TOTAL SHEETS	SHEET NO.
F.A.I. 74	90-13HVB	TAZEWELL	1366	498
FED. ROAD DIST. NO. 7	ILLINOIS	FED. AID PROJECT-		

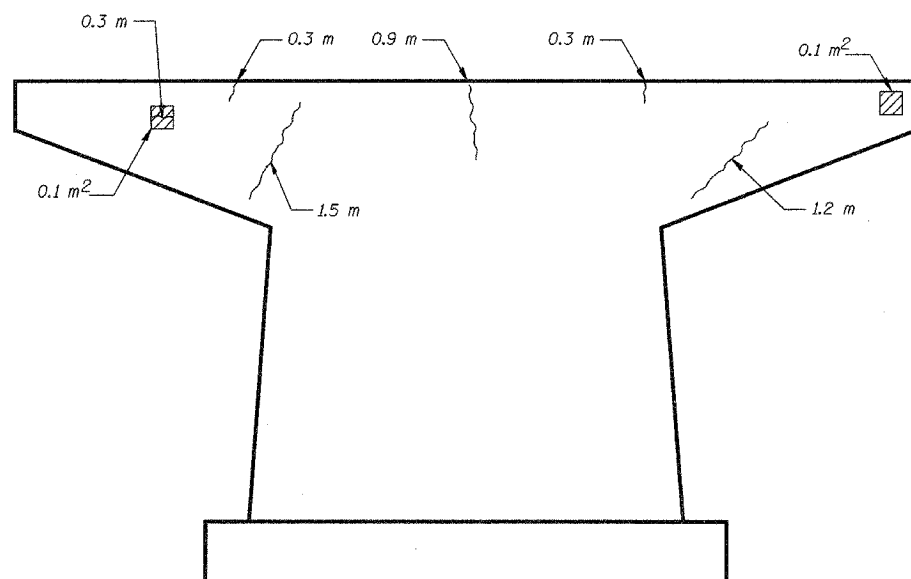
SHEET NO. 50
68 SHEETS



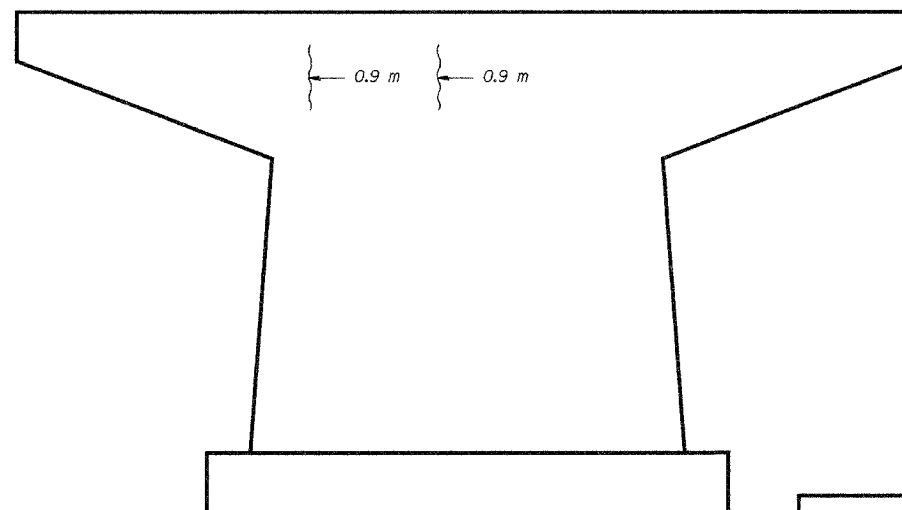
ELEVATION
(Pier 3, West End)



ELEVATION
(Pier 3, Looking North)



ELEVATION
(Pier 5, Looking South)



ELEVATION
(Pier 5, Looking North)

LEGEND:

- Formed Concrete Repair
Depth equal to or less than 125 mm
- 1.0 m } Epoxy Crack Sealing

* The Contractor shall verify soundness of existing concrete at the locations shown for repair.

BILL OF MATERIAL - PIER 3 & PIER 5

ITEM	UNIT	TOTAL
Formed Concrete Repair (Depth equal to or less than 125 mm)	SQ. M.	** 0.4
Epoxy Crack Sealing	M	** 12.1

** The estimated quantities include an increase of 15% to reflect any future damage areas.

Note:
All crack lengths and repair areas are approximate.

PIERS 3 AND 5 REPAIRS

Date	Designed EV	WESTBOUND F.A.I. ROUTE 74 OVER CAMP STREET, FARM CREEK, AND TP&W RR F.A.I. RTE. 74 SECTION (90-13HVB)BY TAZEWELL COUNTY STATION 153+625.193 STRUCTURE NO. 090-0009	Sheet No.
Revisions	Drawn EV		50
	Checked NPP		of 68
	Approved NPP		BRW Job No.
Prepared By: BRW, Inc. A Division of URS		1701 Golf Rd., Suite 1000 Rolling Meadows, IL.	17049-071