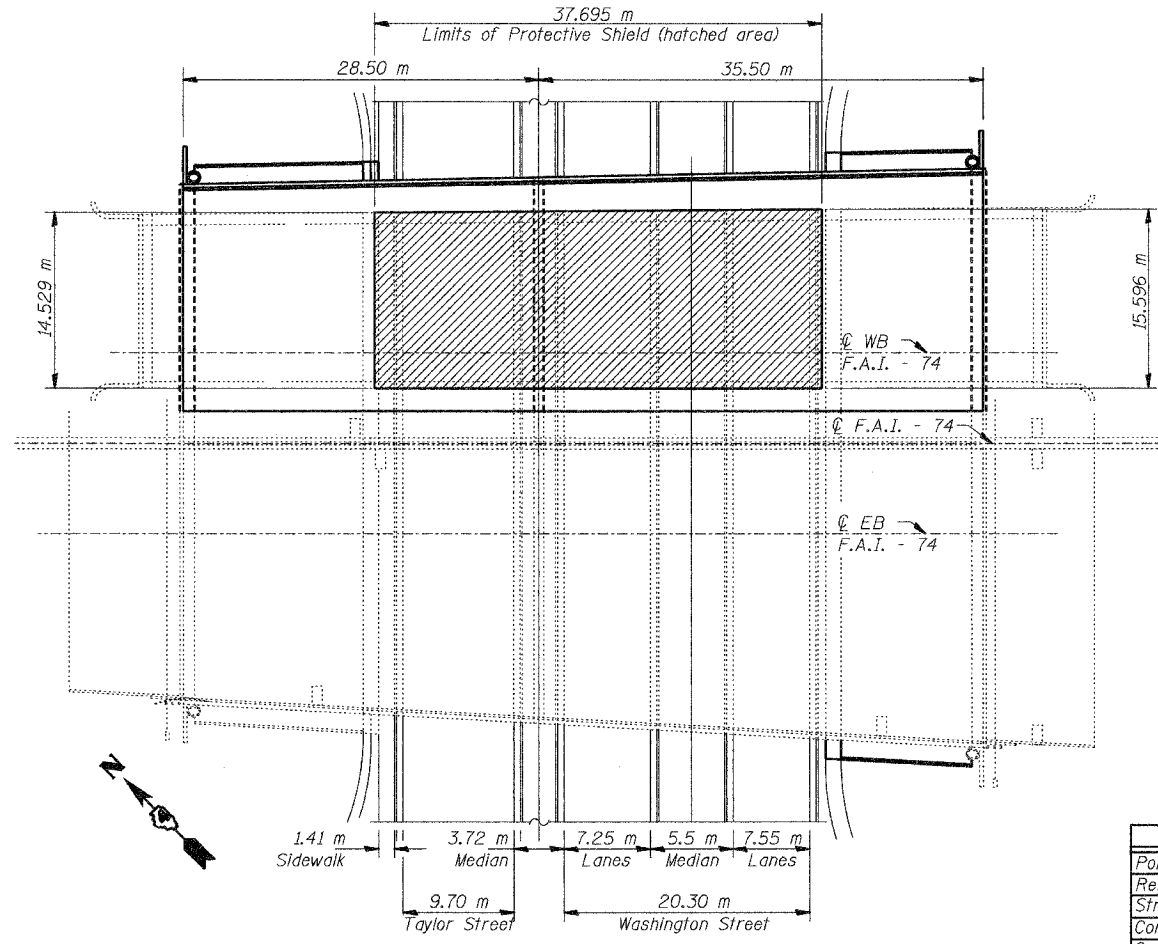


STATE OF ILLINOIS
DEPARTMENT OF TRANSPORTATION

| ROUTE NO. | SECTION | COUNTY | TOTAL SHEETS | SHEET NO. |
|-----------------------|-------------|----------|-------------------|-----------|
| F.A.I. 74 | (90-14HB)BR | TAZEWELL | 1366 | 519 |
| FED. ROAD DIST. NO. 7 | | ILLINOIS | FED. AID PROJECT- | |

GENERAL NOTES

- Reinforcement bars shall conform to the requirements of AASHTO M 31M, or M 322M, Grade 400.
- Slope wall shall be reinforced with welded wire fabric, 152 x 152 - MW25.8 x MW25.8 with a mass of 2.91 kg/m².
- The embankment configuration shown shall be the minimum embankment that must be constructed prior to construction of the abutments.
- Contractor shall contract IDOT regarding Test Pile results for Contract 9 prior to ordering Piles.
- The existing structural steel coating contains lead. The Contractor shall take appropriate precautions to deal with the presence of lead on this project.
- All dimensions are in millimeters (mm) except as noted.
- All stations and elevations are in meters.
- All construction joints shall be bonded.



PROTECTIVE SHIELD DETAIL

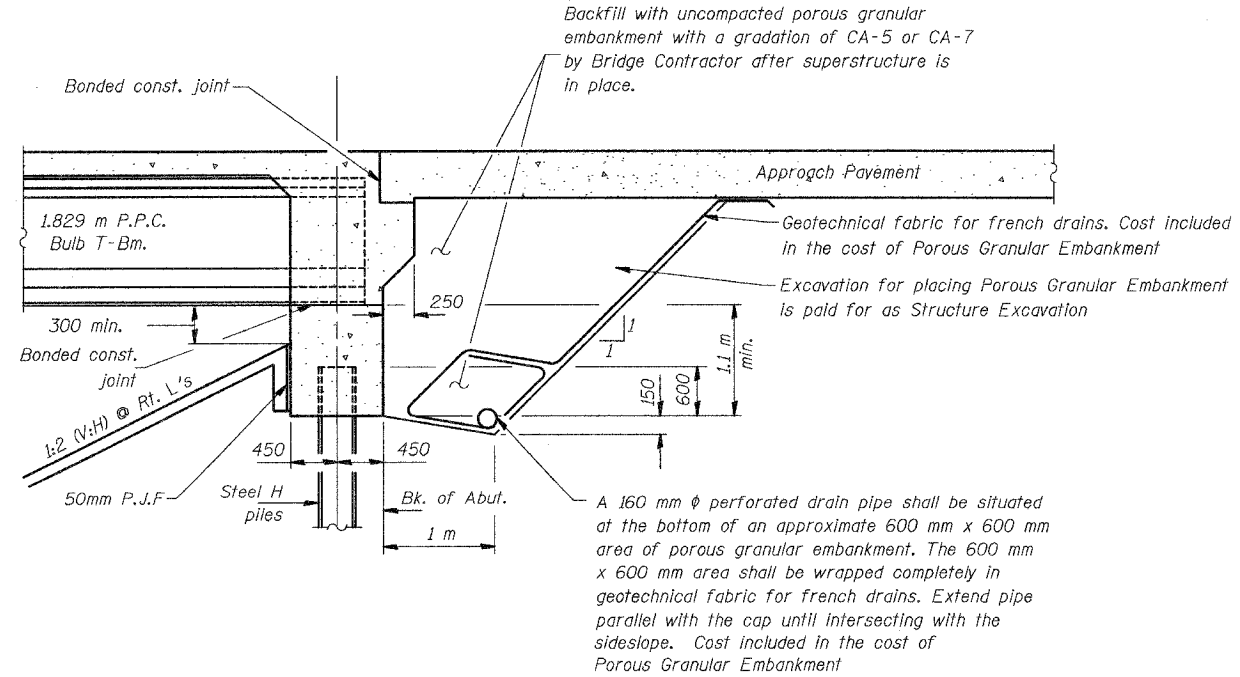
INDEX OF SHEETS

| SHEET NO. | DESCRIPTION |
|-----------|---|
| 1 | GENERAL PLAN AND ELEVATION |
| 2 | GENERAL NOTES, TOTAL BILL OF MATERIAL, & DETAILS |
| 3 | SUBSTRUCTURE LAYOUT |
| 4-6 | TOP OF SLAB ELEVATIONS |
| 7 | SUPERSTRUCTURE |
| 8-9 | SUPERSTRUCTURE DETAILS |
| 10 | ALUMINUM RAILING, TYPE H (SPECIAL) DETAILS |
| 11 | DIAPHRAGM DETAILS AT ABUTMENTS |
| 12 | DIAPHRAGM DETAILS AT PIER |
| 13 | DRAINAGE SCUPPER, TYPE 2 DETAILS |
| 14 | FRAMING PLAN |
| 15 | BEAM DETAILS - SPAN 1 |
| 16 | BEAM DETAILS - SPAN 2 |
| 17 | NORTH ABUTMENT |
| 18 | SOUTH ABUTMENT |
| 19 | PIER |
| 20 | BOLLARD DETAILS AND APPLICATION |
| 21 | LUMINAIRE DETAILS ON BOLLARDS AND APPLICATION |
| 22 | ANCHOR BOLT DETAILS |
| 23 | BAR SPLICER ASSEMBLY DETAILS |
| 24 | TEMPORARY CONCRETE BARRIER FOR STAGE CONSTRUCTION |
| 25-28 | SOIL BORINGS |

TOTAL BILL OF MATERIAL

| ITEM | UNIT | SUPER | SUB | TOTAL |
|---|-------|-------|-------|-------|
| Porous Granular Embankment | Cu. m | | 350 | 350 |
| Removal of Existing Structures No. 3 | Each | 1 | | 1 |
| Structure Excavation | Cu. m | | 352 | 352 |
| Concrete Structures | Cu. m | | 148.1 | 148.1 |
| Concrete Superstructure | Cu. m | 300.2 | | 300.2 |
| Bridge Deck Grooving | Sq. m | 1066 | | 1066 |
| Protective Coat | Sq. m | 1269 | | 1269 |
| Furnishing and Erecting Precast Prestressed Concrete Bulb T-Beams, 1829mm | m | 380.2 | | 380.2 |
| Reinforcement Bars, Epoxy Coated | Kg | 37410 | 11940 | 49350 |
| Slopedwall 100mm | Sq. m | | 799 | 799 |
| Furnishing Steel Piles HP310x110 | m | | 504.0 | 504.0 |
| Driving Steel Piles | m | | 504.0 | 504.0 |
| Braced Excavation | Cu. m | | 102.3 | 102.3 |
| Name Plates | Each | 1 | | 1 |
| Bar Splicers | Each | 103 | | 103 |
| Drainage Scuppers, Type 2 | Each | 2 | | 2 |
| Protective Shield | Sq. m | 568 | | 568 |
| Aluminum Railing Type H (Special) | m | 61.0 | | 61.0 |
| Install Bollards and Luminaire | Each | 2 | | 2 |
| Permanent Survey Markers, Type 1 | Each | | 1 | 1 |

* Quantity is for top and inside face of parapet, westbound face of median barrier and the deck.
** Quantity also includes South Slopedwall for Eastbound Structure.



SECTION THRU INTEGRAL ABUTMENT

GENERAL NOTES, TOTAL BILL OF MATERIAL, & DETAILS

| | | | |
|--------------|--|---|------------------------------|
| Date | Designed TDN | INTERSTATE 74 AND RAMPS L-1 AND L-4 OVER E. WASHINGTON STREET F.A.I. RTE. 74 SECTION (90-14HB)BR TAZEWELL COUNTY STATION 153+868.540 STRUCTURE NO. 090-0163 (WB) | Sheet No. |
| Revisions | Drawn BKN | | 2 of 28 |
| | Checked DCS | | |
| | Approved KWB | | |
| | | | |
| Prepared By: | URS 3040 North University Avenue Decatur, IL 62526 | | URS Job No. 2100001243.01 |