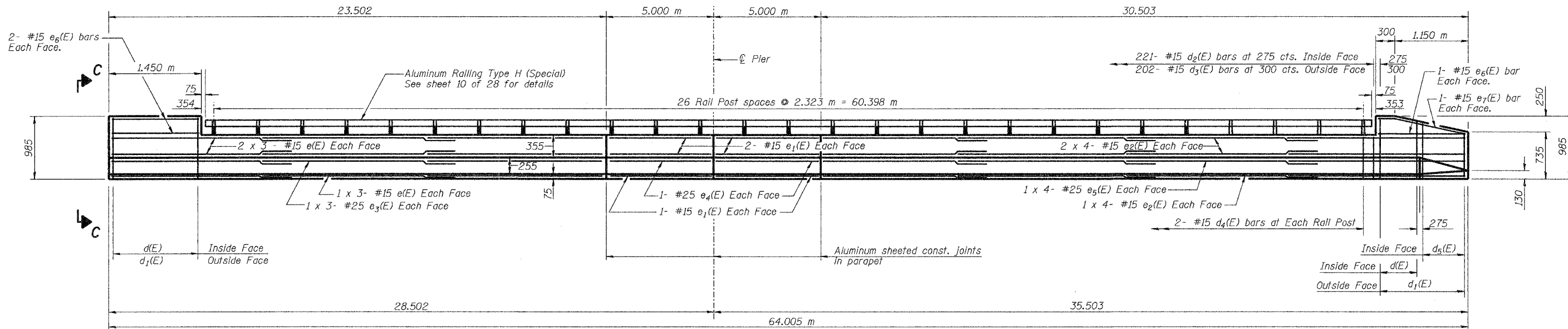
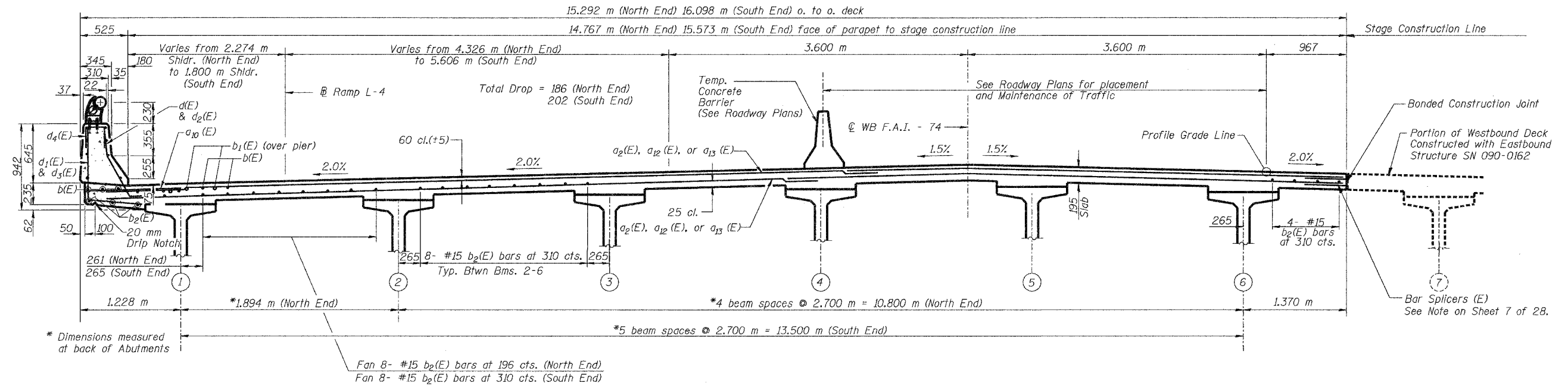


STATE OF ILLINOIS
DEPARTMENT OF TRANSPORTATION

ROUTE NO.	SECTION	COUNTY	TOTAL SHEETS	SHEET NO.
F.A.I. 74	(90-14HB)BR	TAZEWELL	13	8
FED. ROAD DIST. NO. 7	ILLINOIS	FED. AID PROJECT-		



INSIDE ELEVATION OF EAST PARAPET
Looking East (All Dimensions along Inside Face of Parapet)



CROSS SECTION
(Looking Upstation)

Min. Bar Lap
#15 - 490
#25 - 1.010 m

SUPERSTRUCTURE DETAILS

Date	Designed	TDN	INTERSTATE 74 AND RAMPS L-1 AND L-4 OVER E. WASHINGTON STREET F.A.I. RTE. 74 SECTION (90-14HB)BR TAZEWELL COUNTY STATION 153+868.540 STRUCTURE NO. 090-0163 (WB)	Sheet No.
Revisions	Drawn	BKN		8
	Checked	DCS		
	Approved	KWB		
Prepared By:	URS 3040 North University Avenue Decatur, IL 62526			URS Job No. 2100001243.01

See Sheet 9 of 28 for View C-C