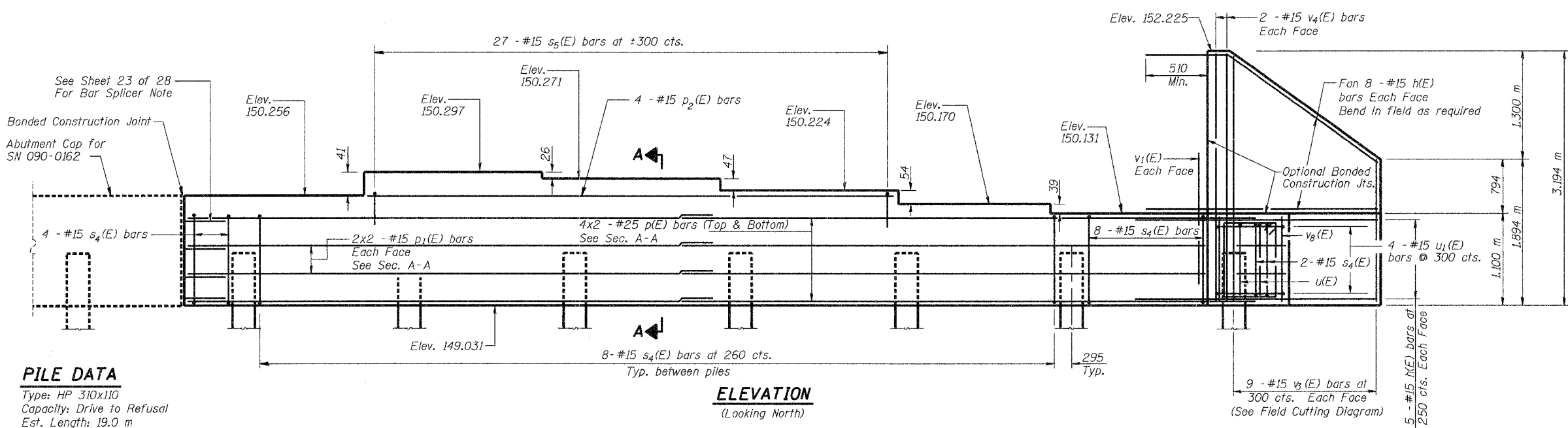


STATE OF ILLINOIS
DEPARTMENT OF TRANSPORTATION

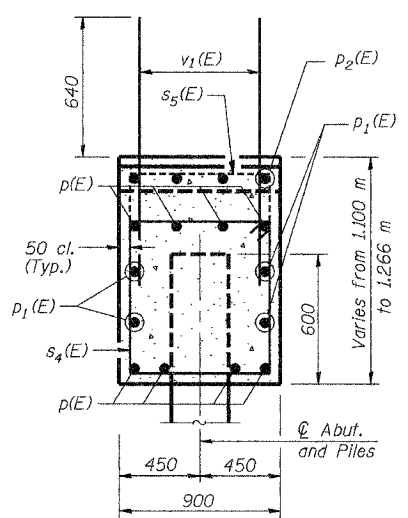
60201				
ROUTE NO.	SECTION	COUNTY	TOTAL SHEETS	SHEET NO.
F.A.I. 74	(90-14HB)BR	TAZEWELL	1366	534
FED. ROAD DIST. NO. 7		ILLINOIS	FED. AID PROJECT	



PILE DATA

Type: HP 310x110
Capacity: Drive to Refusal
Est. Length: 19.0 m
No. Required: 7

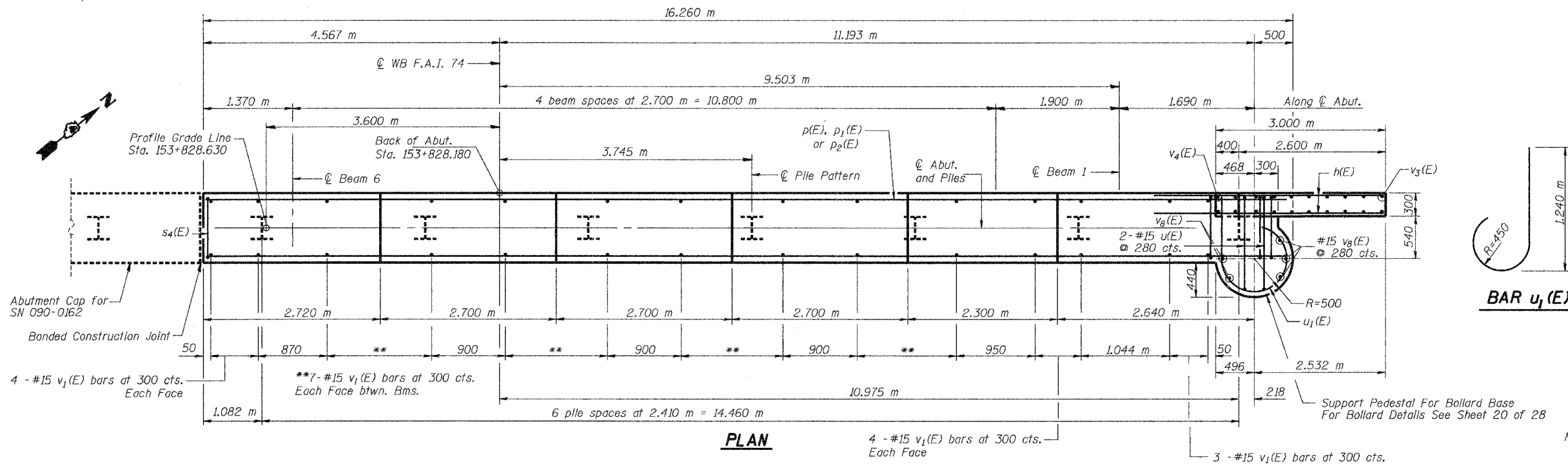
ELEVATION
(Looking North)



SEC. A-A

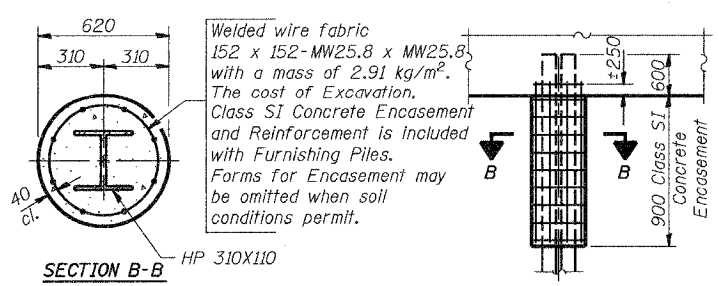
**NORTH ABUTMENT
BILL OF MATERIAL**

Bar	No.	Size	Length (m)	Shape
h(E)	26	#15	3.77	—
p(E)	16	#25	8.82	—
p1(E)	8	#15	8.36	—
p2(E)	4	#15	8.00	—
s4(E)	54	#15	3.88	□
s5(E)	27	#15	1.30	□
u(E)	2	#15	3.22	—
u1(E)	4	#15	2.77	—
v1(E)	78	#15	1.28	—
v3(E)	9	#15	4.88	—
v4(E)	4	#15	3.09	—
v8(E)	5	#15	1.00	—
Reinforcement Bars, Epoxy Coated			kg	1530
Concrete Structures			m ³	19.9
Steel Piles HP 310x110			m	133
Structure Excavation			m ³	170

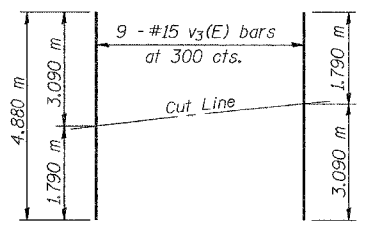


PLAN

BAR u1(E)

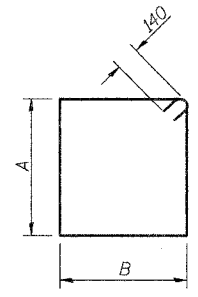


PILE ENCASEMENT DETAIL

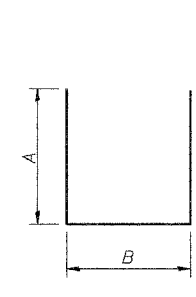


FIELD CUTTING DIAGRAM

Order v3(E) full length. Cut as shown and use remainder of bars in opposite face.



BARS s4(E)



BARS s5(E), u(E)

Bar	Dimension A	Dimension B
s4(E)	1.000 m	800
s5(E)	250	800
u(E)	1.000 m	1.220 m

Min. Bar Lap	
#15	550
#25	1,480 m

Notes: Four steps monolithically with cap.
Reinforcement bars designated (E) shall be epoxy coated.
Bars indicated thus 4x3 - #25 etc. indicates 4 lines of bars with 3 lengths per line.
All dimensions are in millimeters (mm) except as noted.
For Bollard Details See Sheet 20 of 28

NORTH ABUTMENT				Sheet No.
Date	Designed DCS	INTERSTATE 74 AND RAMPS L-1 AND L-4 OVER E. WASHINGTON STREET		17
Revisions	Drawn BKN	F.A.I. RTE. 74 SECTION (90-14HB)BR		
	Checked TDN	TAZEWELL COUNTY		
	Approved KWB	STATION 153+868.540		
		STRUCTURE NO. 090-0163 (WB)		
Prepared By:	URS	3040 North University Avenue Decatur, IL 62526		of 28
				URS Job No. 2100001243.01