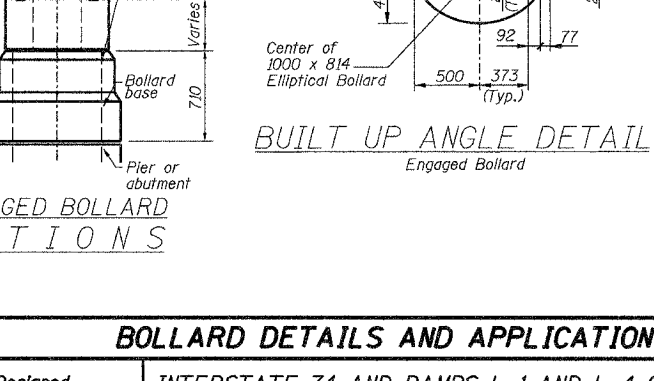
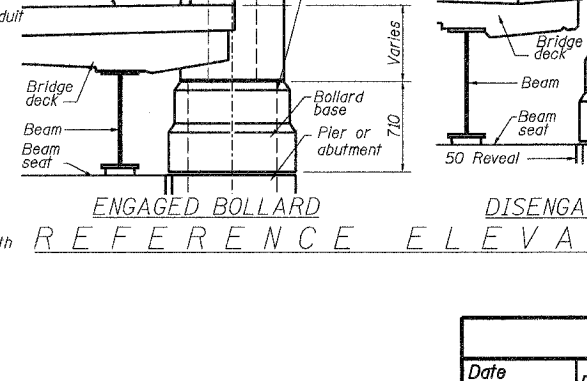
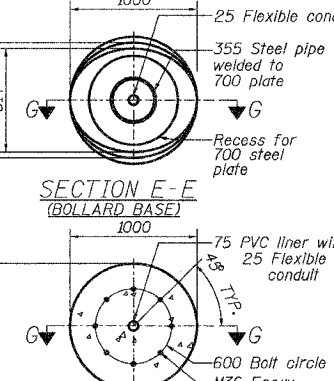
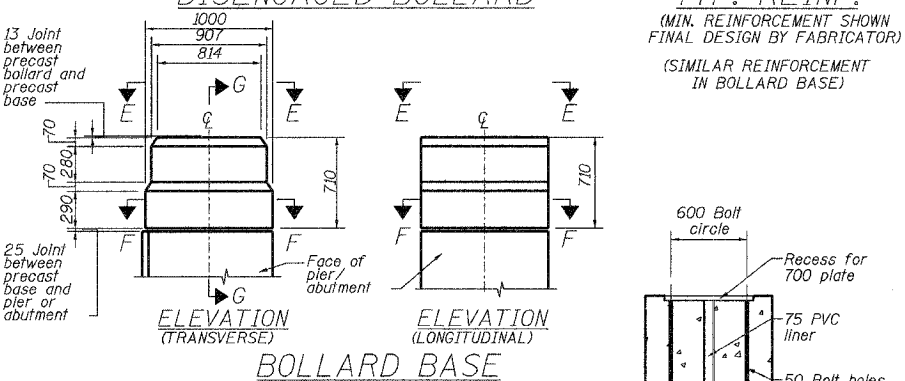
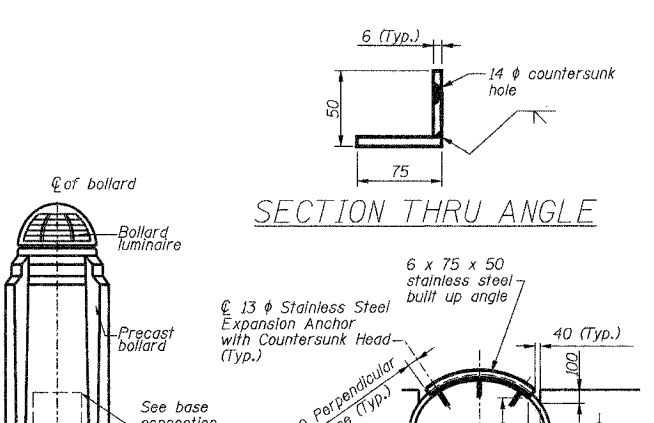
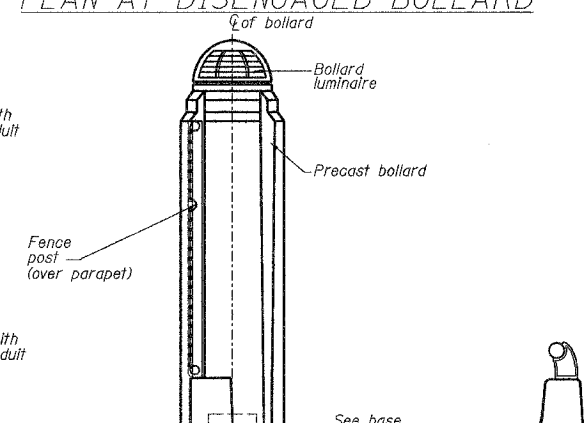
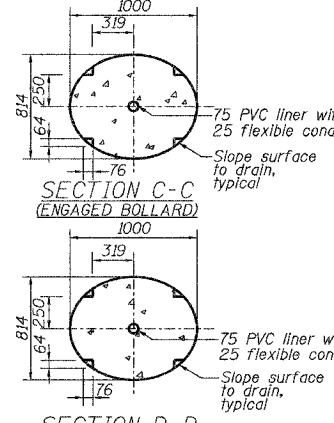
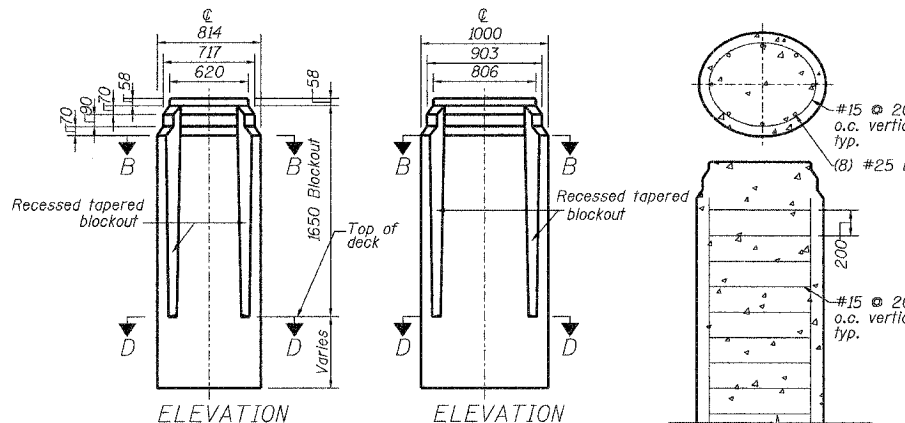
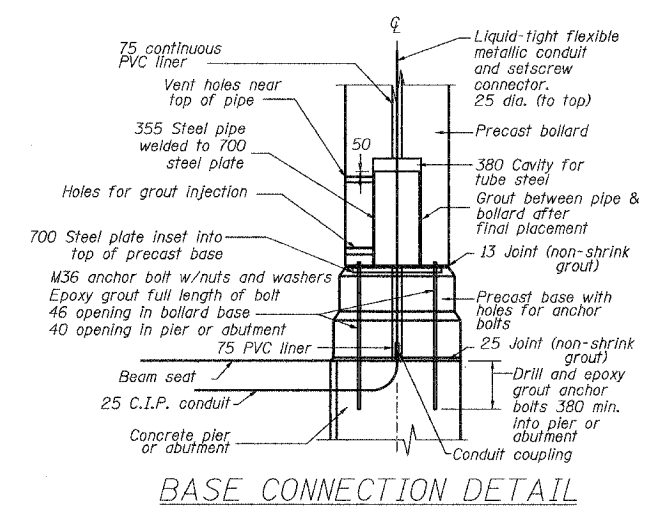
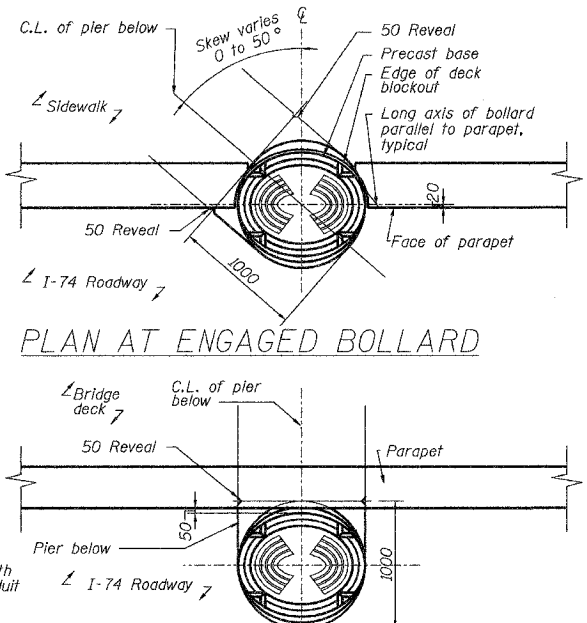
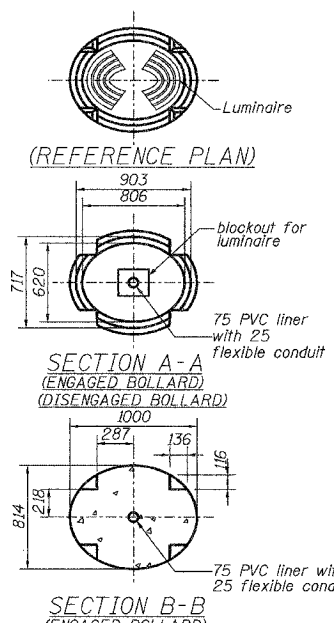
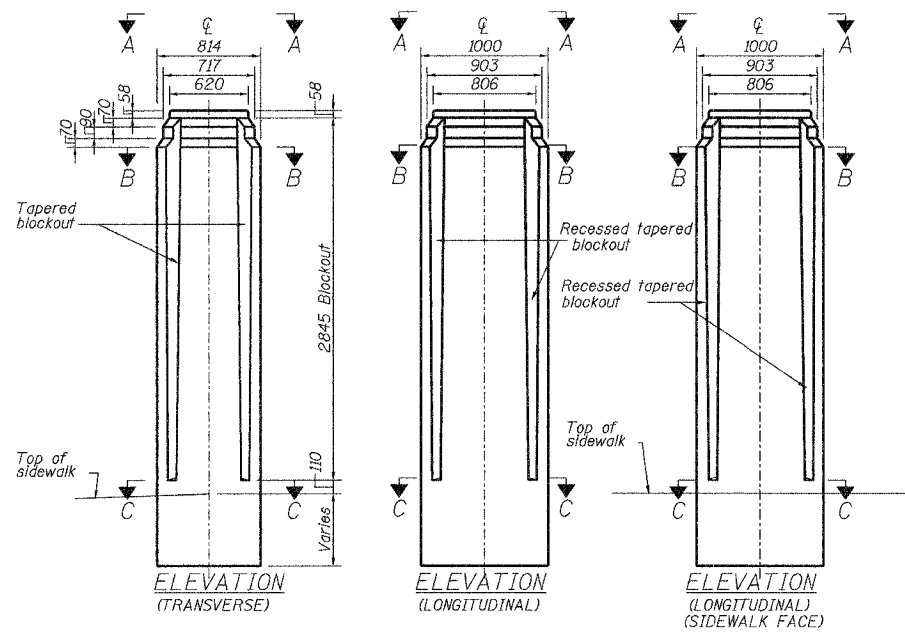


STATE OF ILLINOIS
DEPARTMENT OF TRANSPORTATION

68201				
ROUTE NO.	SECTION	COUNTY	TOTAL SHEETS	SHEET NO.
F.A.I. 74	(90-14HB)BR	TAZEWELL	1366	537
FED. ROAD DIST. NO. 7	ILLINOIS	FED. AID PROJECT		

NOTES:

- BOLLARDS, BOLLARD BASES, BOLLARD LUMINAIRES, AND CONNECTION COMPONENTS (UNLESS OTHERWISE NOTED) ARE SUPPLIED BY OTHERS. FABRICATION DETAILS AND DIMENSIONS ARE PRESENTED FOR INFORMATION ONLY. INSTALLATION IS INCLUDED IN THIS CONTRACT.
- SOME BOLLARD BASE CONNECTION DETAILS NOT SHOWN. FINAL CONNECTION DESIGN AND DETAILING BY BOLLARD FABRICATOR.
- NON-SHRINK GROUT, EPOXY GROUT, FLEXIBLE CONDUIT AND CONNECTOR, AND BUILT-UP ANGLES AND ANGLE ANCHORS TO BE SUPPLIED AND INSTALLED BY CONTRACTOR.
- FOR LUMINAIRE DETAILS, SEE SHEET 21 OF 28.



DESIGNED	WCJ
CHECKED	BRJ
DRAWN	AS, ZLA
CHECKED	BRJ

BOLLARD DETAILS AND APPLICATION			
Date	Designed	INTERSTATE 74 AND RAMPS L-1 AND L-4 OVER E. WASHINGTON STREET F.A.I. RTE. 74 SECTION (90-14HB)BR TAZEWELL COUNTY STATION 153+868.540 STRUCTURE NO. 090-0163 (WB)	Sheet No.
Revisions	Drawn		20
	Checked		of 28
	Approved		
Prepared By:	URS 3040 North University Avenue Decatur, IL 62526		URS Job No. 2100001243.01