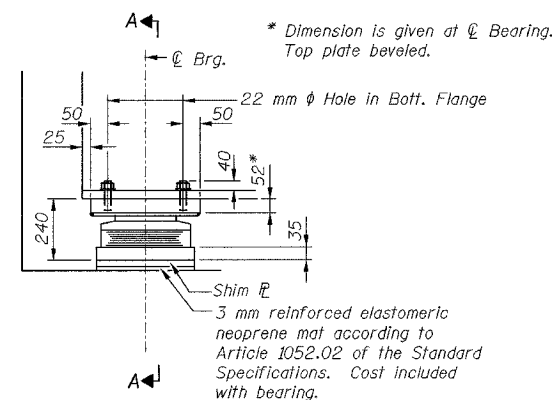
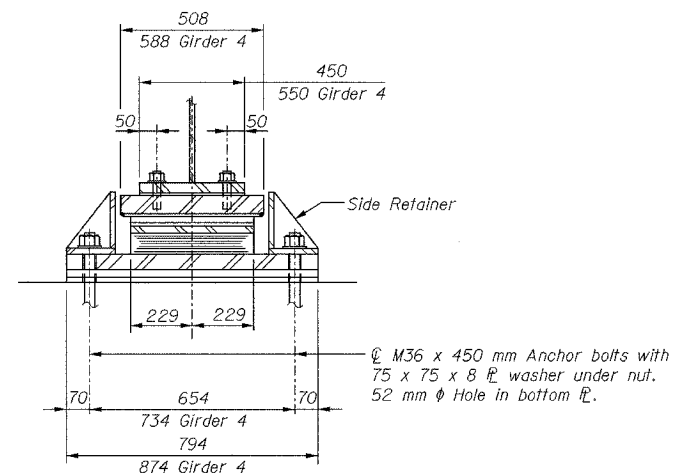


68201	ROUTE No.	SECTION	COUNTY	TOTAL SHEETS	SHEET NO.
	FAI 74		TAZEVELL	1366	553
STA.			TO STA.		
F.H.W.A. REGION			ILLINOIS PROJECT		



**ELEVATION**

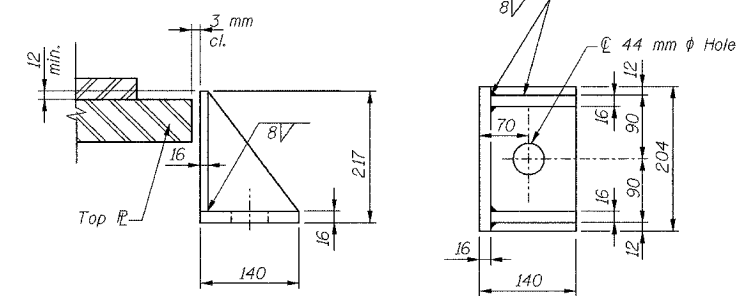
Side retainer not shown for clarity



**SECTION A-A**

Girder 4

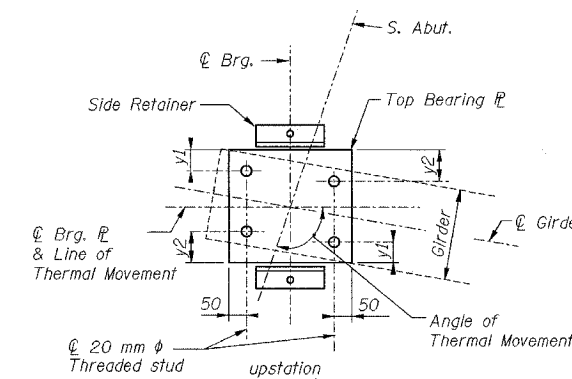
**TYPE II ELASTOMERIC EXPANSION BEARING**



**SIDE RETAINER**

Equivalent rolled angle with stiffeners will be allowed in lieu of welded plates.

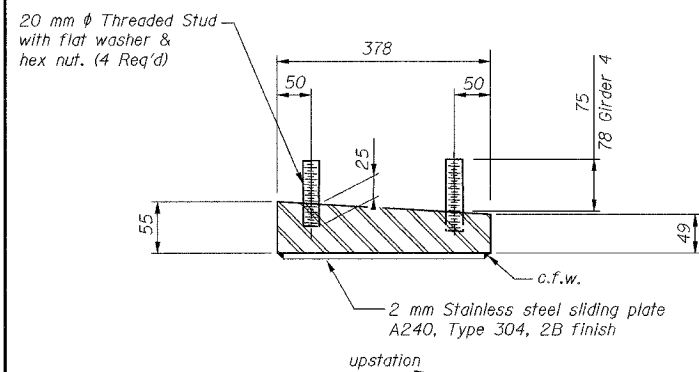
Weight included with Structural Steel.



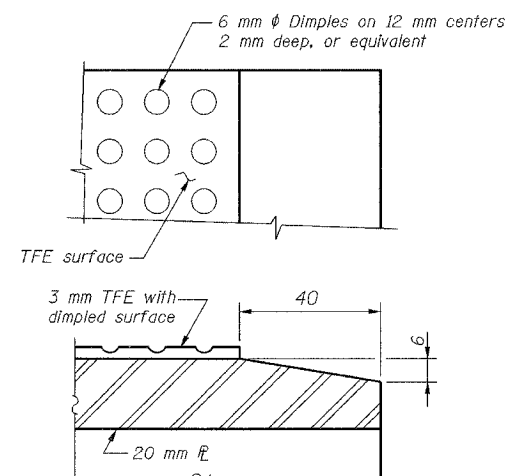
Bearing Location	Angle of Thermal Movement	y1	y2
Girder 1	94°-41'-59"	67	90
Girder 2	94°-41'-50"	67	90
Girder 3	94°-41'-42"	67	90
Girder 4	94°-41'-33"	57	80

**BILL OF MATERIAL**

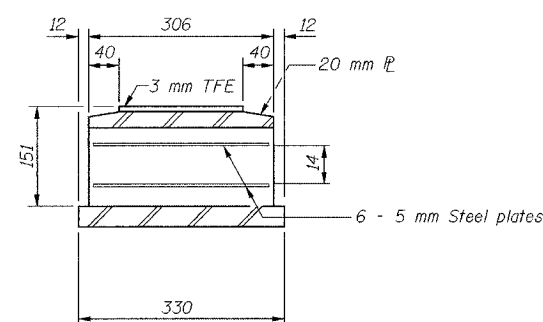
Item	Unit	Total
Elastomeric Bearing Assembly, Type II	Each	4



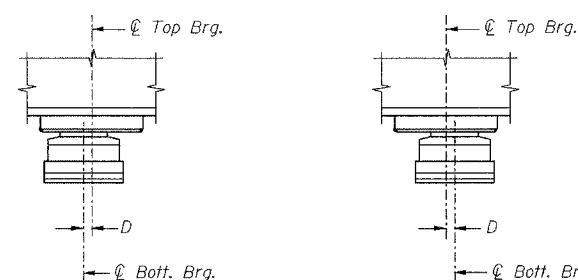
**ELEVATION - TOP BEARING ASSEMBLY**



**SECTION THRU TFE**



**ELEVATION - BOTTOM BEARING ASSEMBLY**



**SETTING ANCHOR BOLTS AT EXP. BRG.**

D = 1 mm per each 10 m of expansion (contraction) length for every 8 °C temperature change from the normal temperature of +10 °C.

**NOTES:**

- The structural steel bearing plates of the Elastomeric Bearing Assembly shall conform to the requirements of AASHTO M 270M Grade 345.
- The 3 mm TFE sheet shall be bonded directly to the top steel plate with a two-component, medium viscosity epoxy resin, conforming to the requirements of the Federal Specification MMM-A-134, Type I. The bond agent shall be applied on the full area of the contact surfaces.
- Bonding of 3 mm TFE sheet during vulcanizing process will be permitted provided the process and method of adjusting assembly height is approved by the Engineer.
- See sheet 30 for Anchor Bolt Details.
- See sheet 19 for Framing Plan.
- All dimensions are in millimeters (mm) except as noted.

DESIGNED	HAA
CHECKED	KWS
DRAWN	VH
CHECKED	LRB

**ab** **alfred benesch & company**  
CONSULTING ENGINEERS  
205 NORTH MICHIGAN AVENUE, CHICAGO, ILLINOIS 60601  
JOB NO. 3573

ILLINOIS DEPARTMENT OF TRANSPORTATION  
RAMP K-2 OVER  
MAIN ST & RAMP J-3  
F.A.I. ROUTE 74 (I-74)  
SECTION 90-IIB-5  
**ELASTOMERIC BEARING DETAILS**  
**SOUTH ABUTMENT**

SN: 090-0156  
TAZEVELL CO., IL.

STA. 10+529.222  
DATE: 12-23-04

2/3/2005

m:\p\03573\c\amp;k\2\etlib\dl-7c090056.dgn