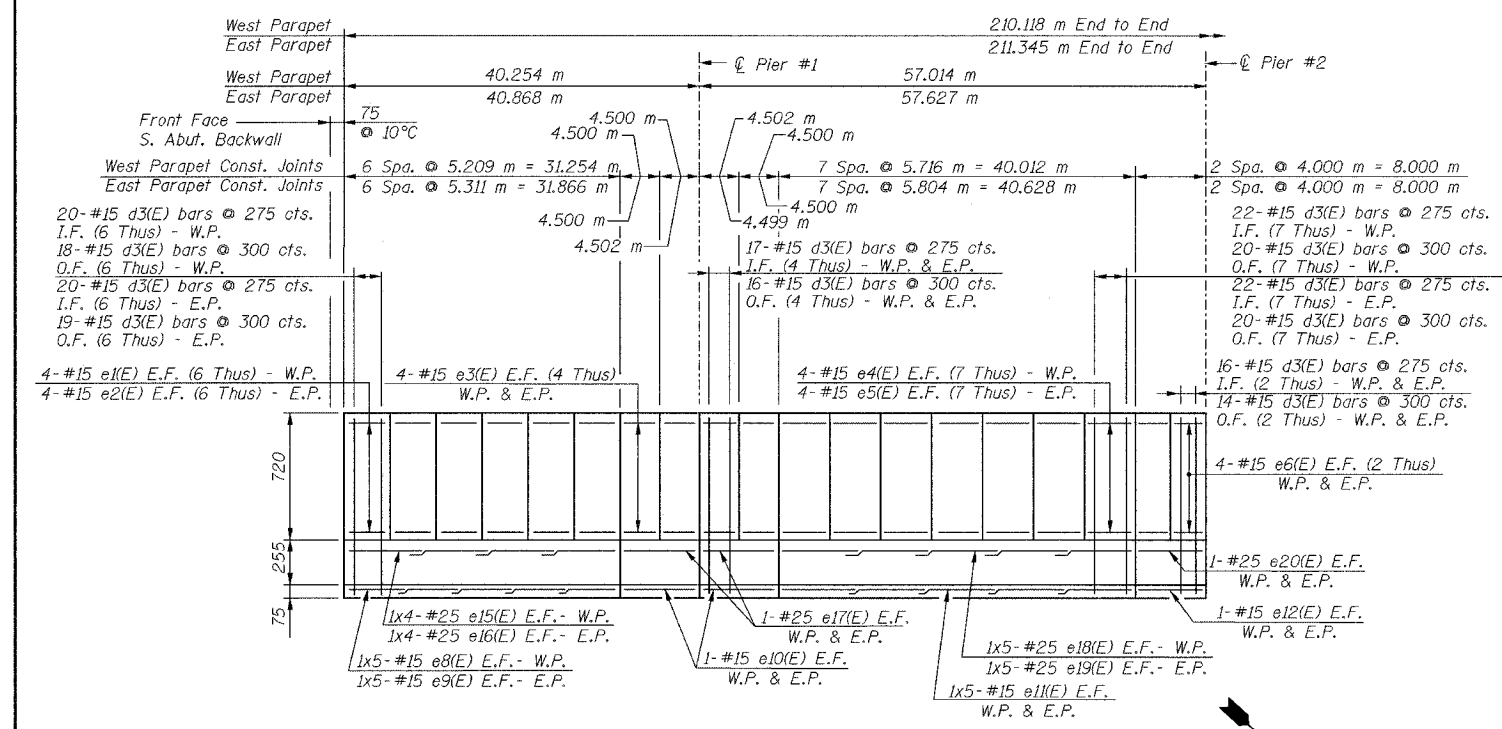


68201	ROUTE No.	SECTION	COUNTY	TOTAL SHEETS	SHEET NO.
FAI 74	*	TAZEWELL	1366	560	
STA.			TO STA.		
F.H.W.A. REGION			ILLINOIS PROJECT		

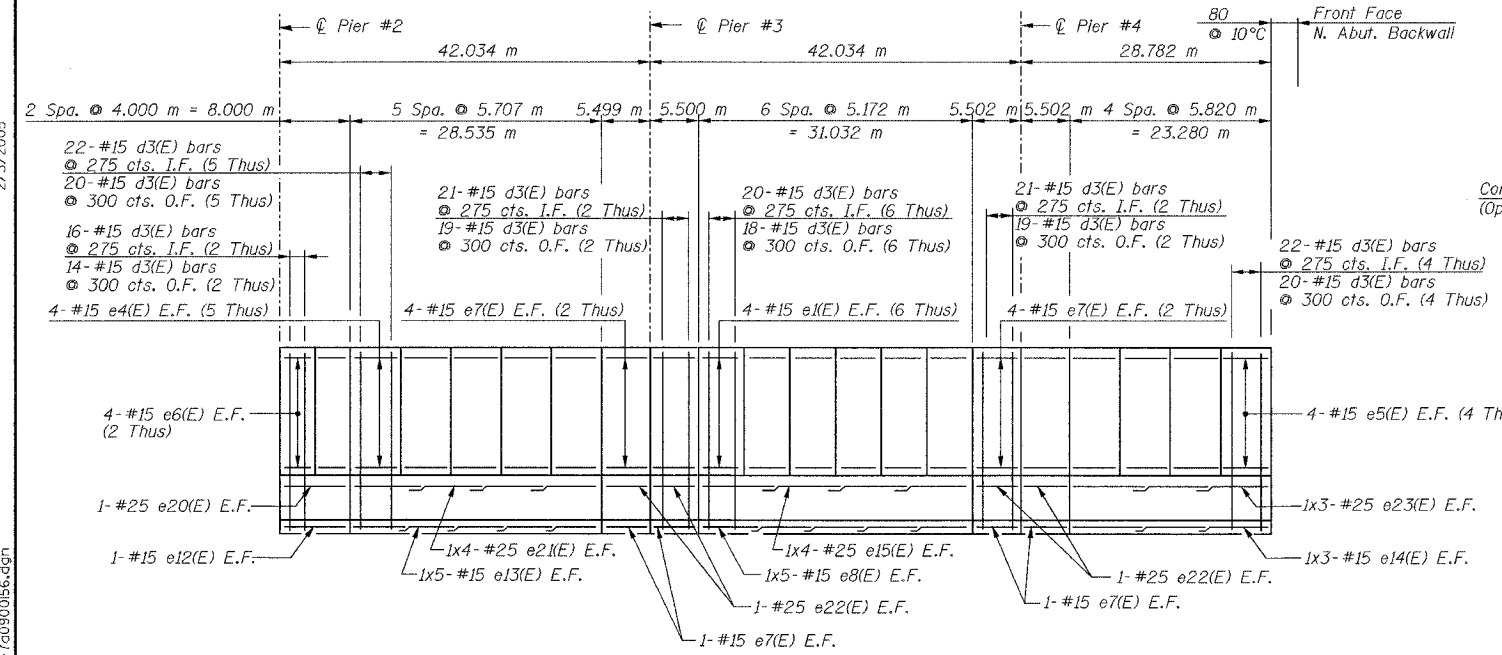
BILL OF MATERIAL

Bar	No.	Size	Length (m)	Shape	
d3(E)	3086	#15	1.09		
e1(E)	144	#15	5.10		
e2(E)	48	#15	5.20		
e3(E)	64	#15	4.40		
e4(E)	136	#15	5.62		
e5(E)	120	#15	5.72		
e6(E)	64	#15	3.90		
e7(E)	80	#15	5.40		
e8(E)	30	#15	6.75		
e9(E)	10	#15	6.90		
e10(E)	8	#15	8.90		
e11(E)	20	#15	8.65		
e12(E)	8	#15	7.90		
e13(E)	20	#15	6.20		
e14(E)	12	#15	8.20		
e15(E)	24	#25	8.80		
e16(E)	8	#25	8.95		
e17(E)	8	#25	8.90		
e18(E)	10	#25	9.05		
e19(E)	10	#25	9.20		
e20(E)	8	#25	7.90		
e21(E)	16	#25	8.10		
e22(E)	16	#25	5.40		
e23(E)	12	#25	8.65		
Protective Coat				SQ M	548
Concrete Superstructure				CU M	130.5
Reinforcement Bars, Epoxy Coated				KG	15,500



ELEVATION - SPANS 1 & 2

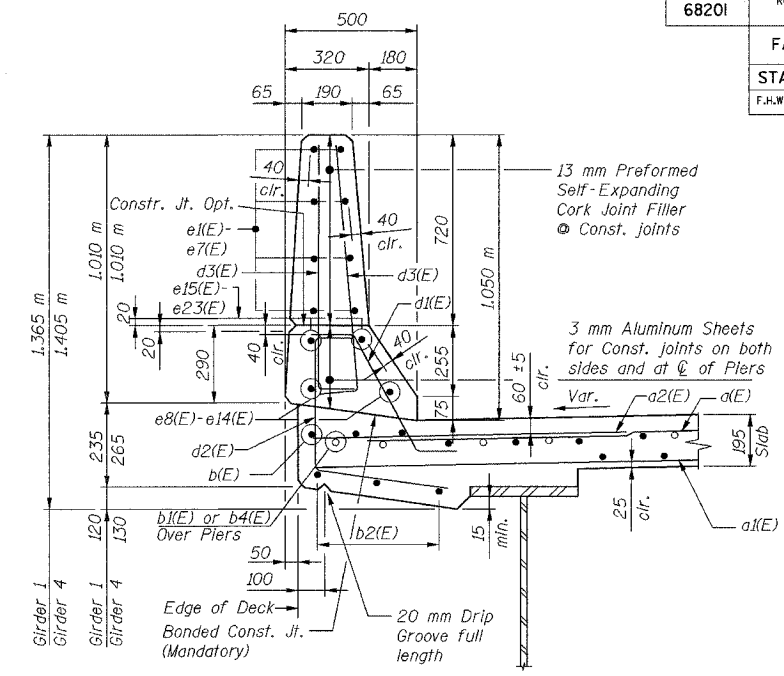
All dimensions are along Edge of Deck



ELEVATION - SPANS 3-5

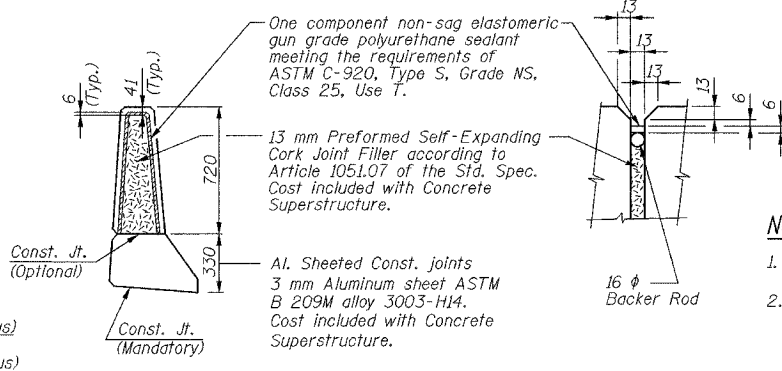
(West Elevation shown - East Elevation similar)
All dimensions are along Edge of Deck

DESIGNED	HAA
CHECKED	KWS
DRAWN	VH
CHECKED	KJN

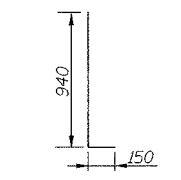


SECTION THRU PARAPET

(Spans 1-5) (Near Piers)



PARAPET JOINT DETAILS



NOTES:

- Bars indicated thus: 3x2-#15 etc. indicates 3 lines of bars with 2 lengths per line.
- Use the following minimum lap lengths unless otherwise noted:
#15 - 640
#20 - 790
#25 - 1,320 m
- E.F. denotes each face
E.P. denotes east parapet
W.P. denotes west parapet
I.F. denotes inside face
O.F. denotes outside face
- Work this sheet with sheets 10 thru 13.
- All edges of Parapet Walls shall have 20 mm chamfer.
- All dimensions are in millimeters (mm) except as noted.
- Reinforcing bars designated (E) shall be epoxy coated.

ILLINOIS DEPARTMENT OF TRANSPORTATION
RAMP K-2 OVER
MAIN ST & RAMP J-3
F.A.I. ROUTE 74 (I-74)
SECTION 90-IIB-5
**PARAPET ELEVATIONS
AND DETAILS**

alfred benesch & company
CONSULTING ENGINEERS
205 NORTH MICHIGAN AVENUE, CHICAGO, ILLINOIS 60601
JOB NO. 3573

SN: 090-0156
TAZEWELL CO., IL.

STA. 10+529.222
DATE: 12-23-04

2/3/2005
m:\proj\3573\compk2\stip-d-7a090056.dgn