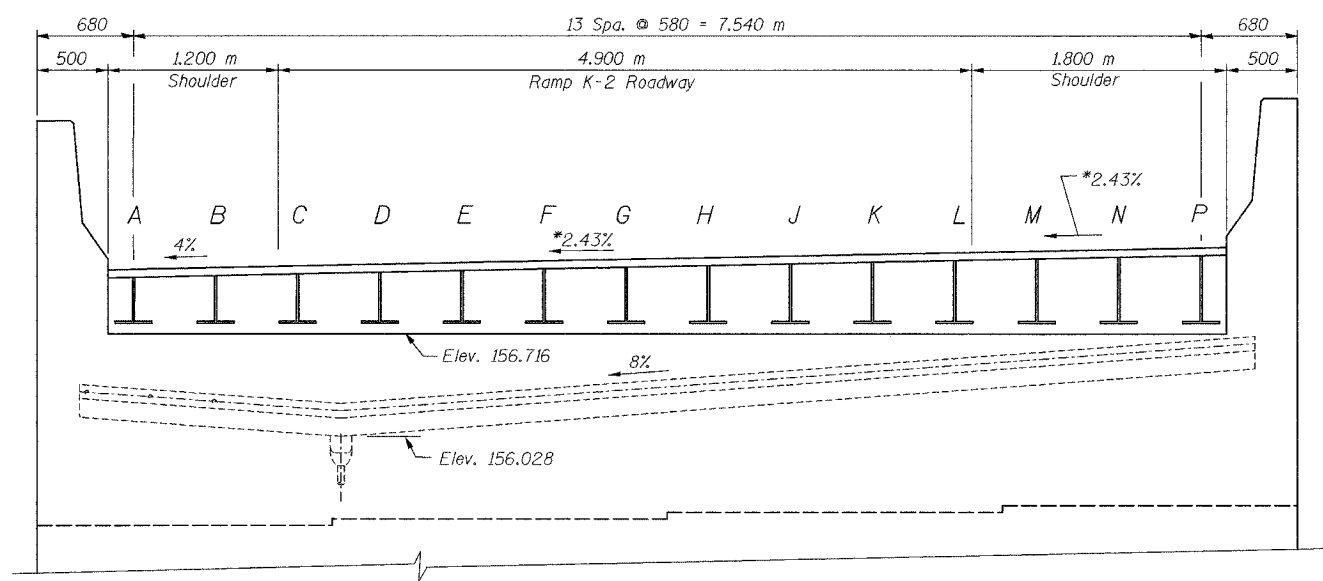
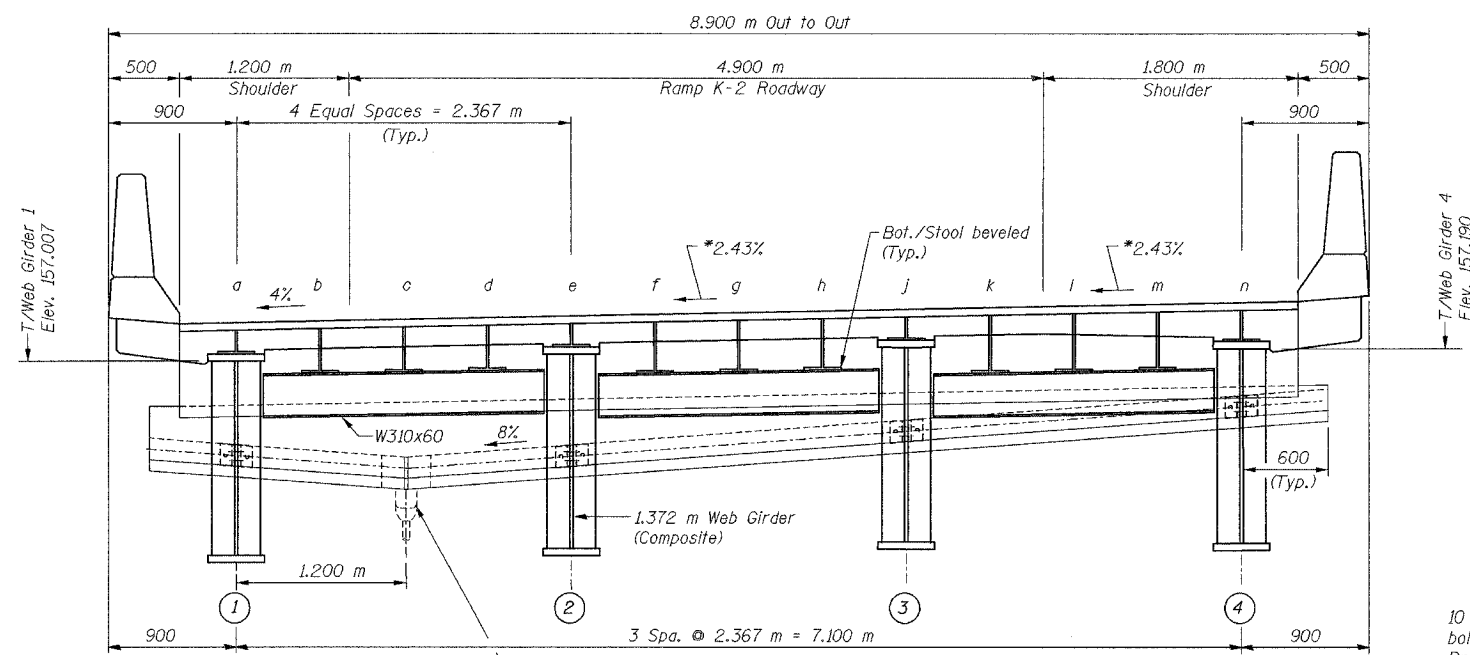


68201	ROUTE No.	SECTION	COUNTY	TOTAL SHEETS	SHEET NO.
	FAI 74	*	TAZEWELL	1366	562
STA.			TO STA.		
F.I.W.A. REGION			ILLINOIS PROJECT		



SECTION B-B

* Slope @ ∇ of Exp. Joint



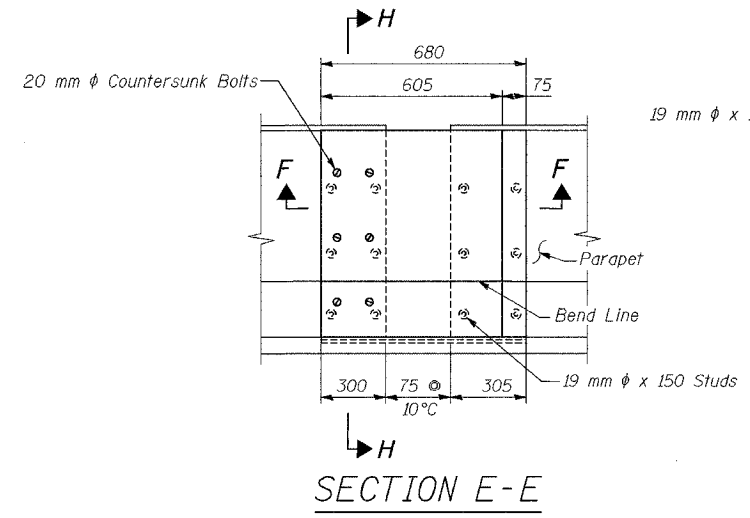
SECTION C-C

* Slope @ ∇ of Exp. Joint

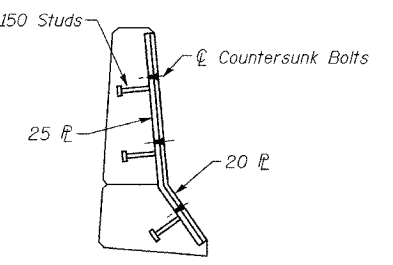
STOOL HEIGHTS

	A	B	C	D	E	F	G	H	J	K	L	M	N	P
SECTION B-B	378	401	422	436	450	464	478	492	506	520	534	549	563	577
	a	b	c	d	e	f	g	h	j	k	l	m	n	
SECTION C-C	174	285	285	282	173	278	278	278	172	278	279	280	171	

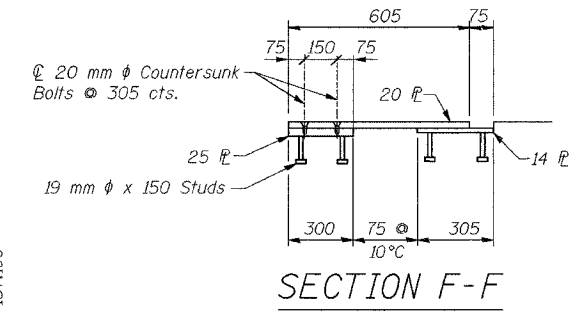
DESIGNED	WJZ
CHECKED	HMA
DRAWN	VH
CHECKED	DAD



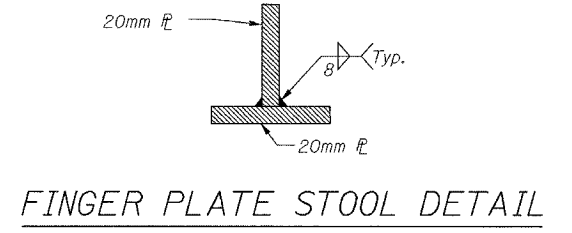
SECTION E-E



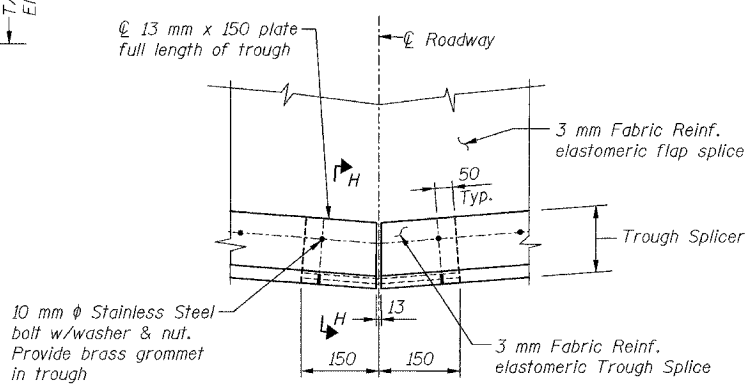
SECTION H-H



SECTION F-F



FINGER PLATE STOOL DETAIL



TROUGH SPLICE DETAIL

ITEM	UNIT	TOTAL
Fabric Reinforced Elastomeric Trough	Meter	8.4

ILLINOIS DEPARTMENT OF TRANSPORTATION
 RAMP K-2 OVER
 MAIN ST & RAMP J-3
 F.A.I. ROUTE 74 (I-74)
 SECTION 90-IIIB-5
FINGER PLATE EXPANSION JOINT
SOUTH ABUTMENT
 SN: 090-0156
 TAZEWELL CO., IL.
 STA. 10+529.222
 DATE: 12-23-04

ab **alfred benesch & company**
 CONSULTING ENGINEERS
 205 NORTH MICHIGAN AVENUE, CHICAGO, ILLINOIS 60601
 JOB NO. 3513

2/3/2005

m:\np\015713\compk2\stflie12-7a0900156.dgn