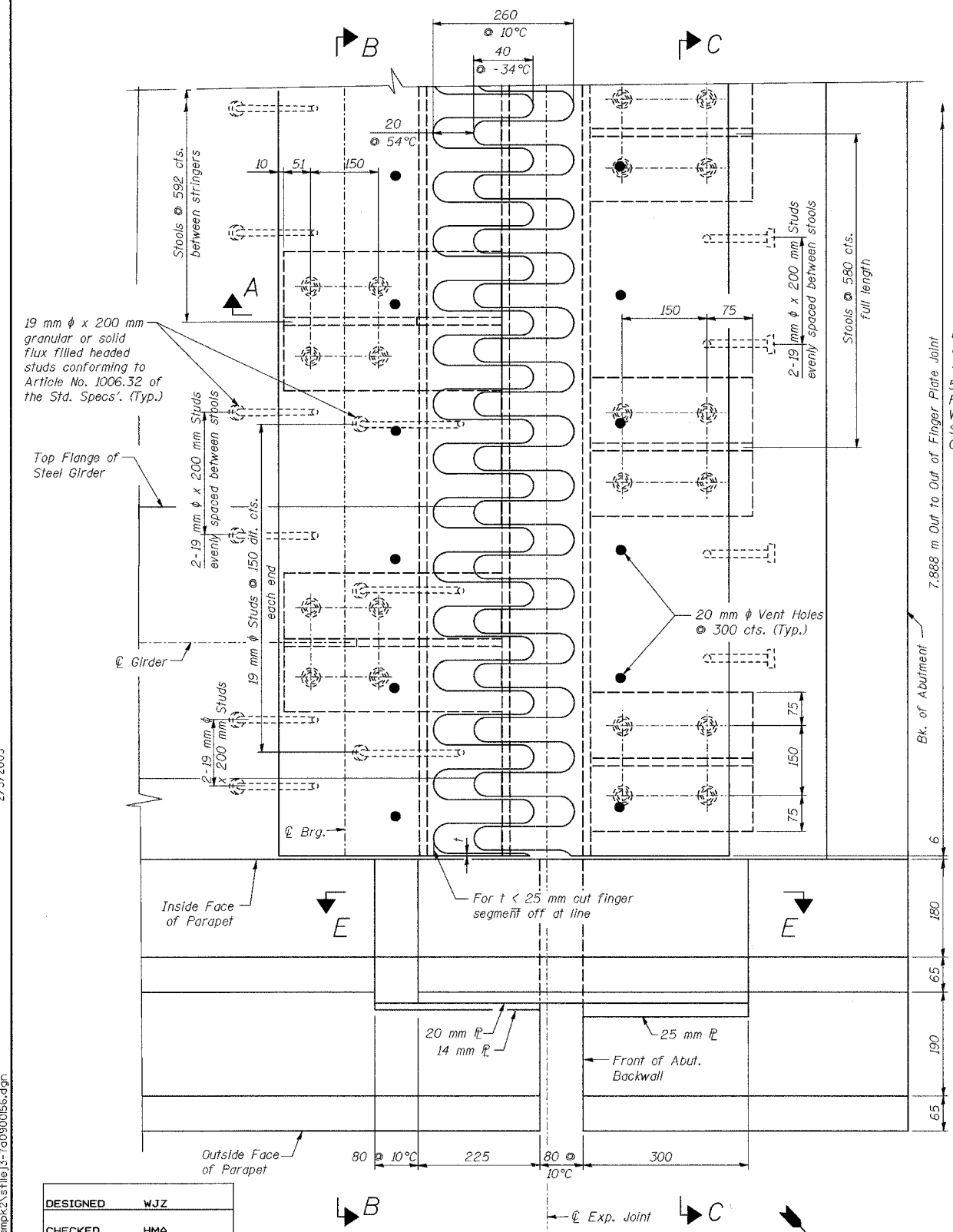
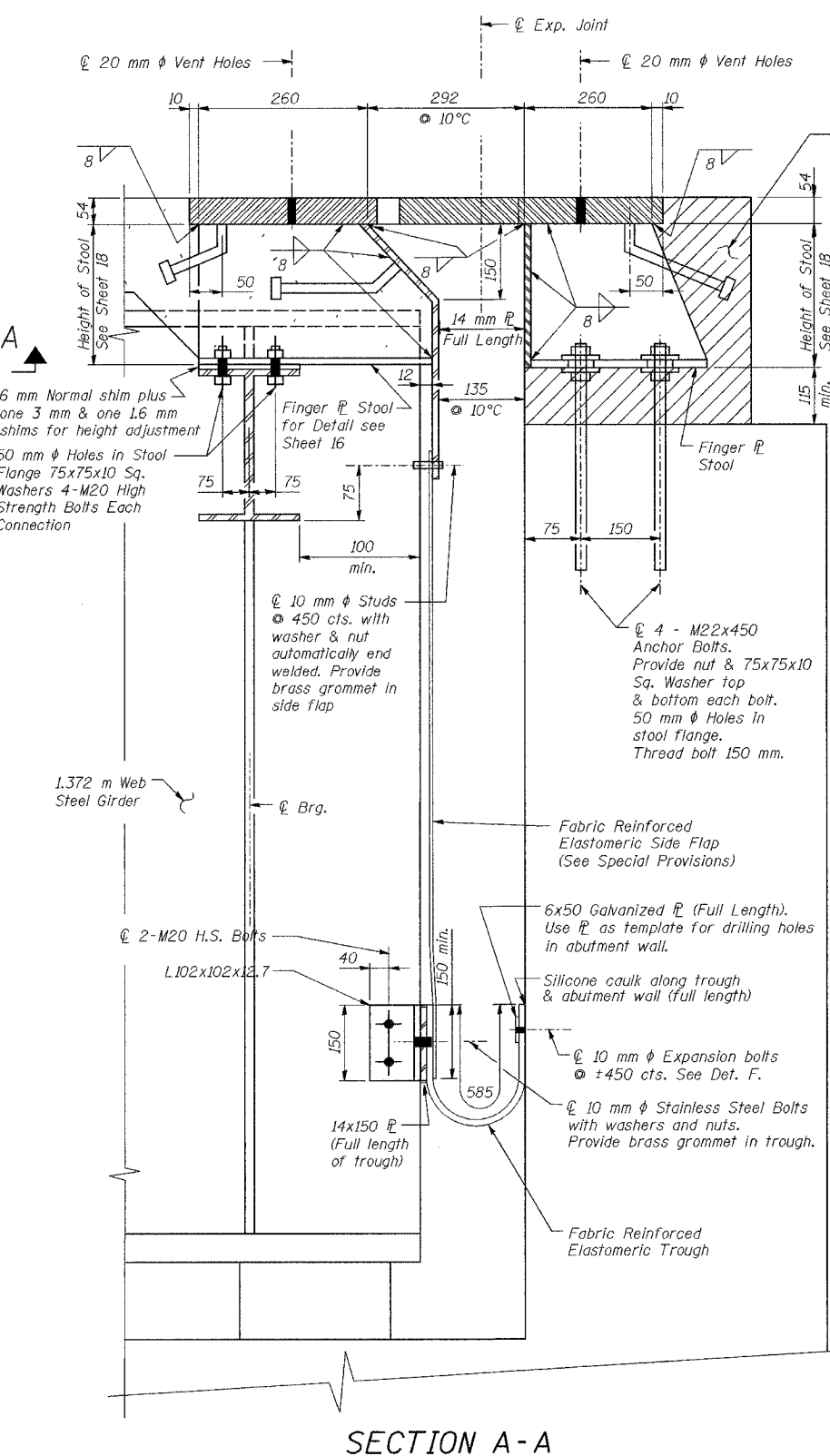


| | | | | | |
|-----------------|-----------|---------|------------------|--------------|-----------|
| 68201 | ROUTE No. | SECTION | COUNTY | TOTAL SHEETS | SHEET NO. |
| | FAI 74 | * | TAZEWELL | 1366 | 563 |
| STA. | | | TO STA. | | |
| F.H.W.A. REGION | | | ILLINOIS PROJECT | | |



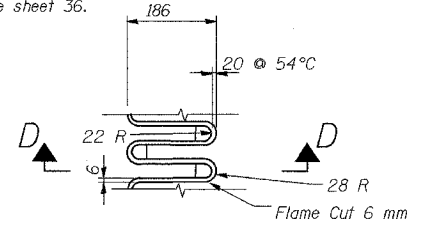
PLAN OF FINGER PLATE
(Showing East Parapet)

| | |
|----------|-----|
| DESIGNED | WJZ |
| CHECKED | HMA |
| DRAWN | VH |
| CHECKED | DAD |

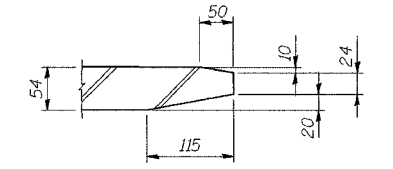


SECTION A-A

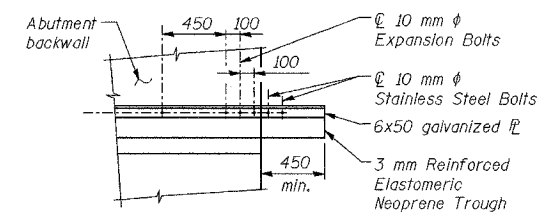
Hatched area to be poured after expansion assembly has been adjusted. For rebars see sheet 36.



FLAME CUTTING DIAGRAM



SECTION D-D



DETAIL F

NOTES:

1. All steel for finger plate joints shall be AASHTO M270M Grade 50.
2. The cost of all steel required for finger plate assembly shall be paid under Furnishing and Erecting Structural Steel. The cost of all bolts (i.e. anchor, high strength, expansion, stainless steel, etc.) shall be included in the price for Furnishing and Erecting Structural Steel.
3. See sheet 16 for Trough Details.
4. Work this sheet with sheet 18.

ILLINOIS DEPARTMENT OF TRANSPORTATION
RAMP K-2 OVER
MAIN ST & RAMP J-3
F.A.I. ROUTE 74 (I-74)
SECTION 90-IIB-5

**FINGER PLATE EXPANSION JOINT
NORTH ABUTMENT**

SN: 090-0156
TAZEWELL CO., IL.

STA. 10+529.222
DATE: 12-23-04

ab **alfred benesch & company**
CONSULTING ENGINEERS
205 NORTH MICHIGAN AVENUE, CHICAGO, ILLINOIS 60601
JOB NO. 3573

2/3/2005

m:\p\proj\3573\compk2\style13-7a0900156.dgn