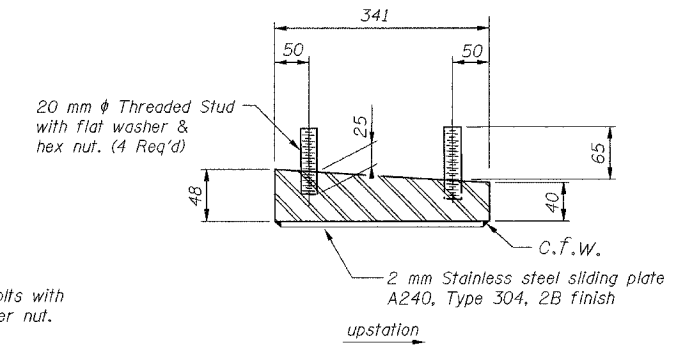
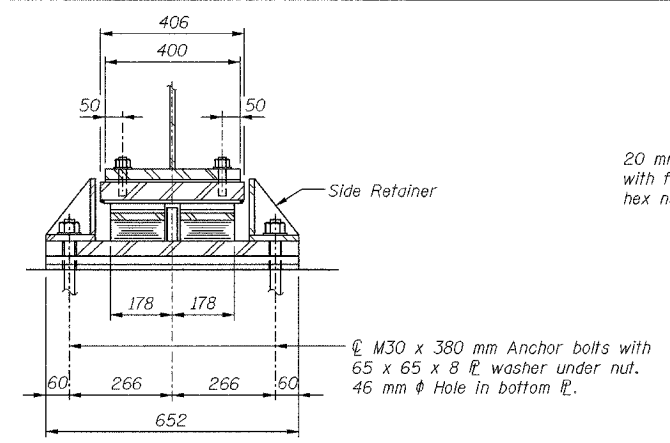
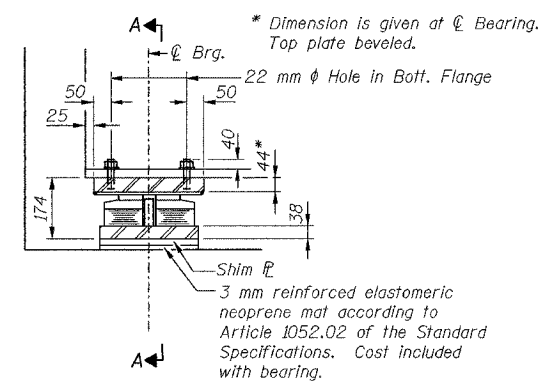


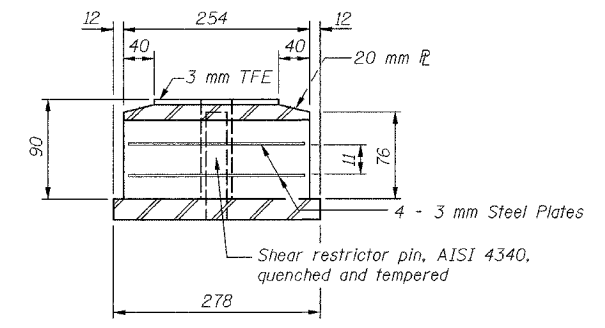
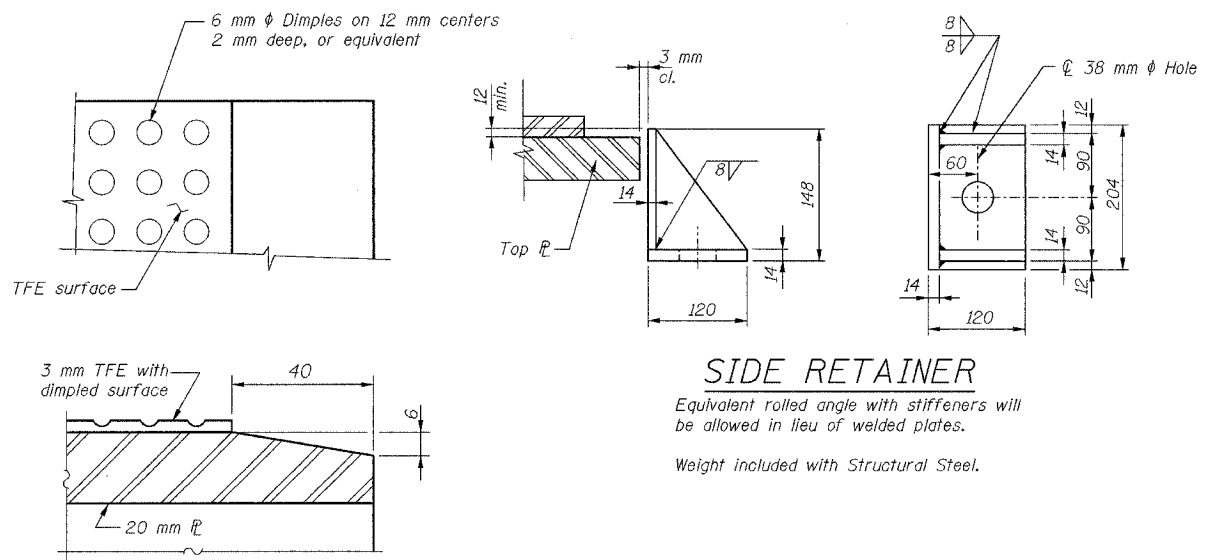
68201	ROUTE No.	SECTION	COUNTY	TOTAL SHEETS	SHEET NO.
	FAI 74	*	TAZEWELL	1366	572
STA.		TO STA.			
F.I.L.W.A. REGION		ILLINOIS		PROJECT	



ELEVATION - TOP BEARING ASSEMBLY

ELEVATION
Side retainer not shown for clarity

TYPE III ELASTOMERIC EXPANSION BEARING



ELEVATION - BOTTOM BEARING ASSEMBLY

NOTES:

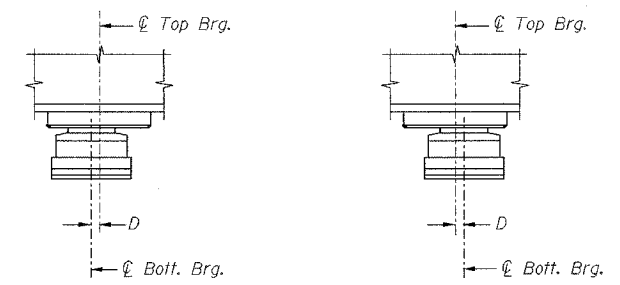
- The structural steel bearing plates of the Elastomeric Bearing Assembly shall conform to the requirements of AASHTO M 270M Grade 345.
- The 3 mm TFE sheet shall be bonded directly to the top steel plate with a two-component, medium viscosity epoxy resin, conforming to the requirements of the Federal Specification MMM-A-134, Type I. The bond agent shall be applied on the full area of the contact surfaces.
- Bonding of 3 mm TFE sheet during vulcanizing process will be permitted provided the process and method of adjusting assembly height is approved by the Engineer.
- See sheet 30 for Anchor Bolt Details.
- See sheet 19 for Framing Plan.
- All dimensions are in millimeters (mm) except as noted.

SECTION THRU TFE

BILL OF MATERIAL

Item	Unit	Total
Elastomeric Bearing Assembly, Type III	Each	4

DESIGNED	HAA
CHECKED	KWS
DRAWN	VH
CHECKED	LRB



SETTING ANCHOR BOLTS AT EXP. BRG.

D = 1 mm per each 10 m of expansion (contraction) length for every 8 °C temperature change from the normal temperature of +10 °C.

alfred benesch & company
CONSULTING ENGINEERS
205 NORTH MICHIGAN AVENUE, CHICAGO, ILLINOIS 60601
JOB NO. 3573

ILLINOIS DEPARTMENT OF TRANSPORTATION
RAMP K-2 OVER
MAIN ST & RAMP J-3
F.A.I. ROUTE 74 (I-74)
SECTION 90-IIIB-5
ELASTOMERIC BEARING DETAILS
NORTH ABUTMENT

SN: 090-0156
TAZEWELL CO., IL.

STA. 10+529.222
DATE: 12-23-04

2/3/2005
m:\p\o\13573\compk2\stflb02-Ta0800056.dgn