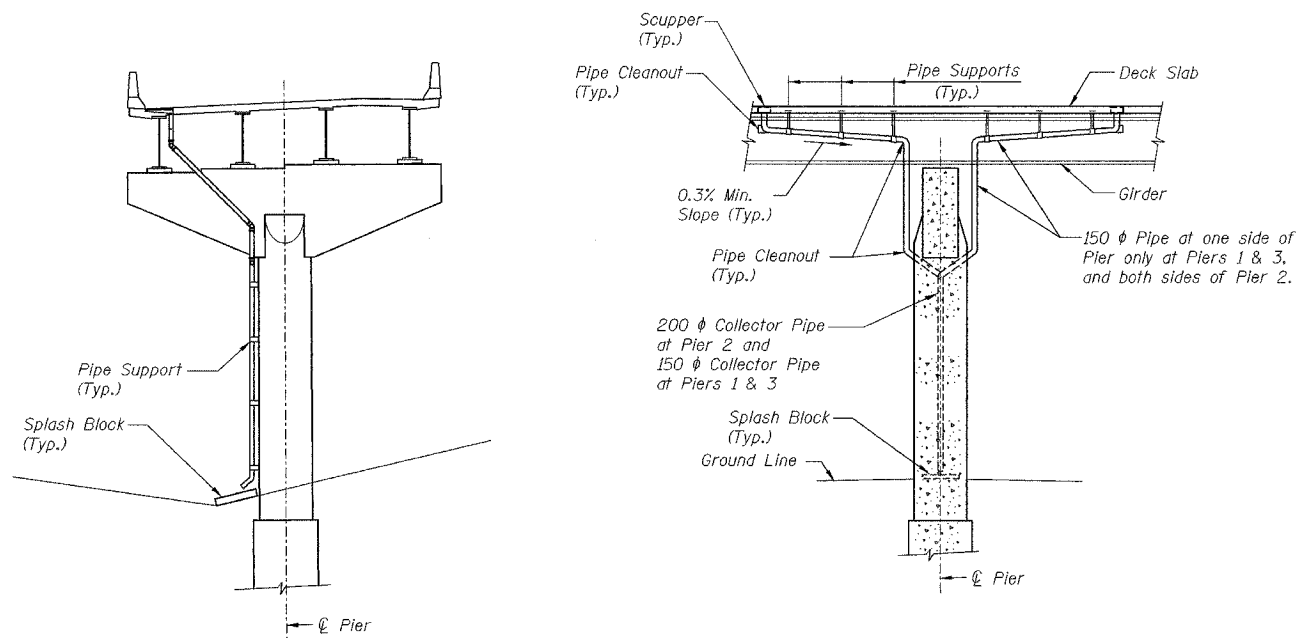
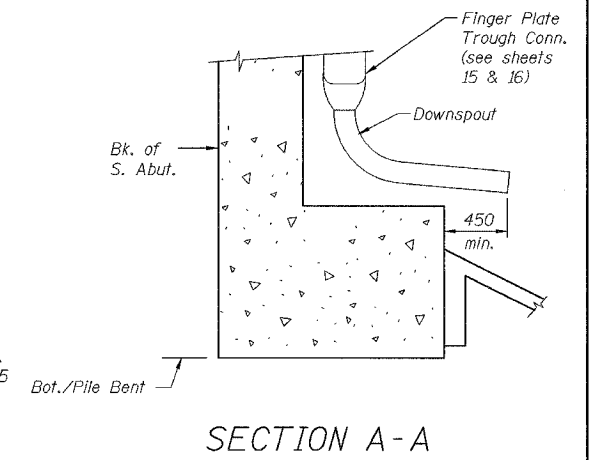
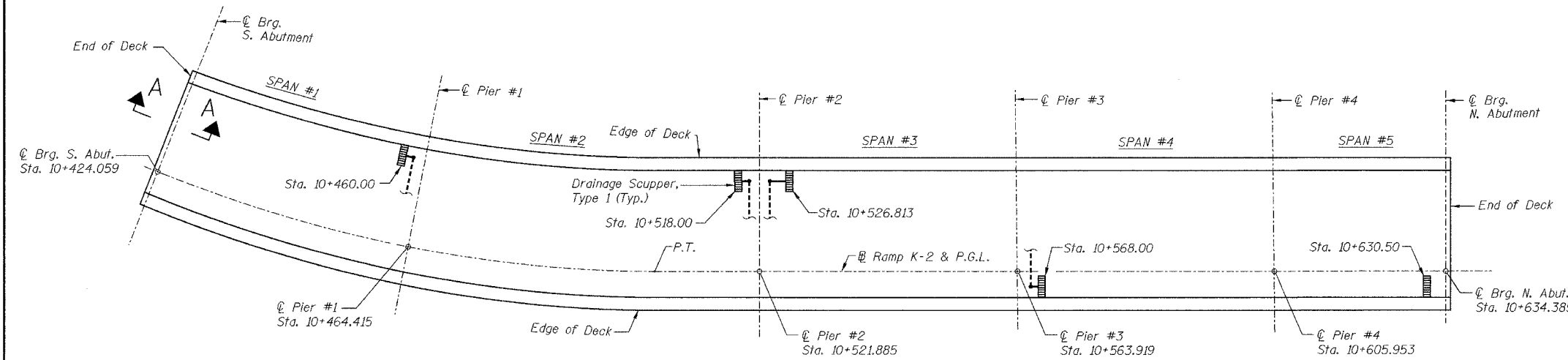


68201	ROUTE No.	SECTION	COUNTY	TOTAL SHEETS	SHEET NO.
	FAI74	#	TAZEWELL	1366	577
STA.			TO STA.		
F.H.W.A. REGION			ILLINOIS PROJECT		



DRAINAGE SYSTEM AT PIER #2
(Pier #1 and #3 similar)

DESIGNED	KWS
CHECKED	HMA
DRAWN	VH
CHECKED	KJN

NOTES:

1. All collector pipes, downspouts and fittings, for Drainage System, shall be reinforced fiberglass. See Special Provisions for "Drainage System".
2. All pipes, reducers and pipe supports shall be painted to match the concrete.
3. The surface of the fiberglass pipes shall be free of bond inhibiting agents.
4. Cost of all piping, reducers, flanges, fittings, supports, splash blocks and hardware, complete in place, shall be included in the lump sum price bid for "Drainage System".
5. Design, number and spacing of pipe supports as recommended by the manufacturer.
6. Pipes and supports shall be located clear of all cross frames.
7. All dimensions are in millimeters (mm) except as noted.
8. Work this sheet with sheets 13, 15, 16 and 31.

ILLINOIS DEPARTMENT OF TRANSPORTATION
RAMP K-2 OVER
MAIN ST & RAMP J-3
F.A.I. ROUTE 74 (I-74)
SECTION 90-IIHB-5
DRAINAGE SYSTEM

ab **alfred benesch & company**
CONSULTING ENGINEERS
205 NORTH MICHIGAN AVENUE, CHICAGO, ILLINOIS 60604
JOB NO. 3573

SN: 090-0156
TAZEWELL CO., IL.
STA. 10+529.222
DATE: 12-23-04

2/3/2005

m:\proj\3573\ampk2\stldr-2-7a0800156.dgn