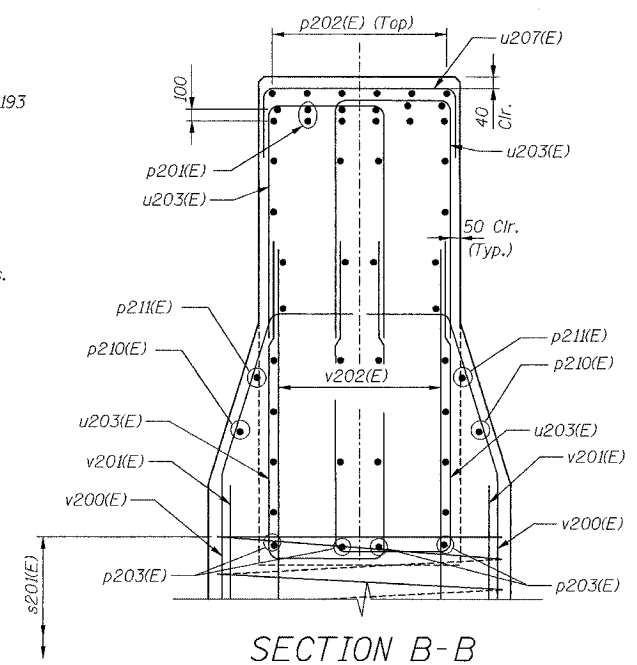
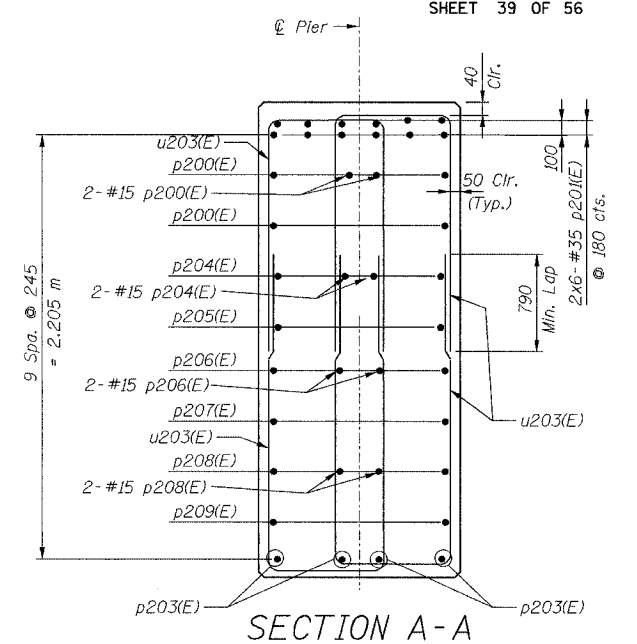
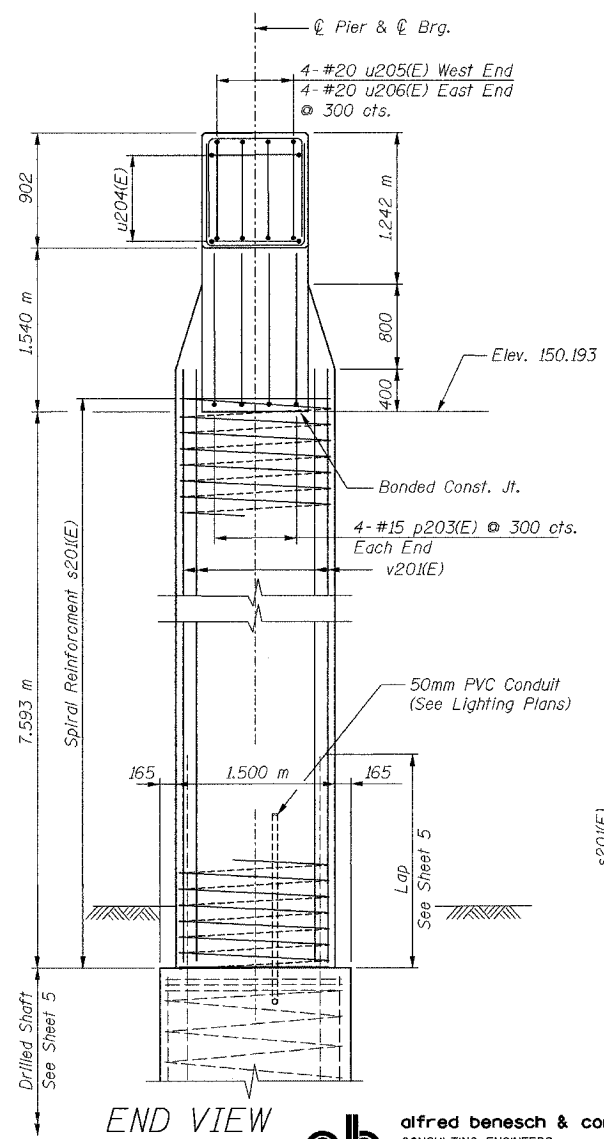
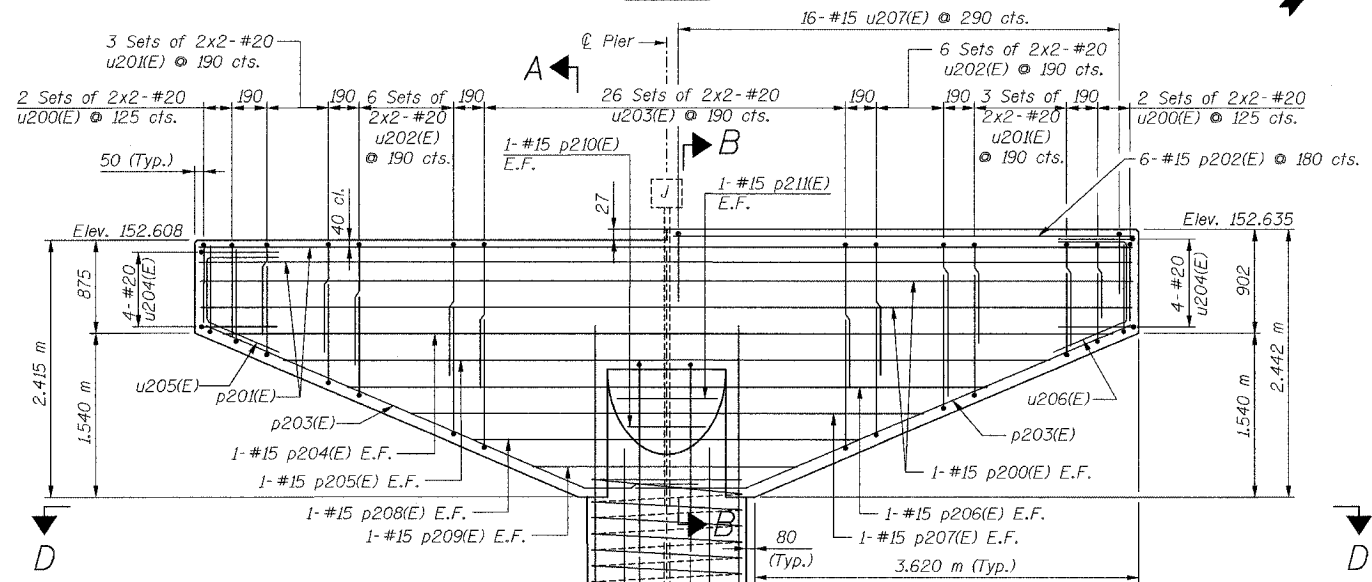
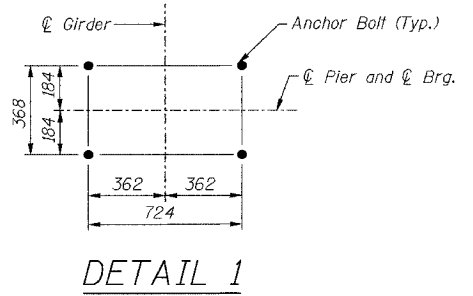
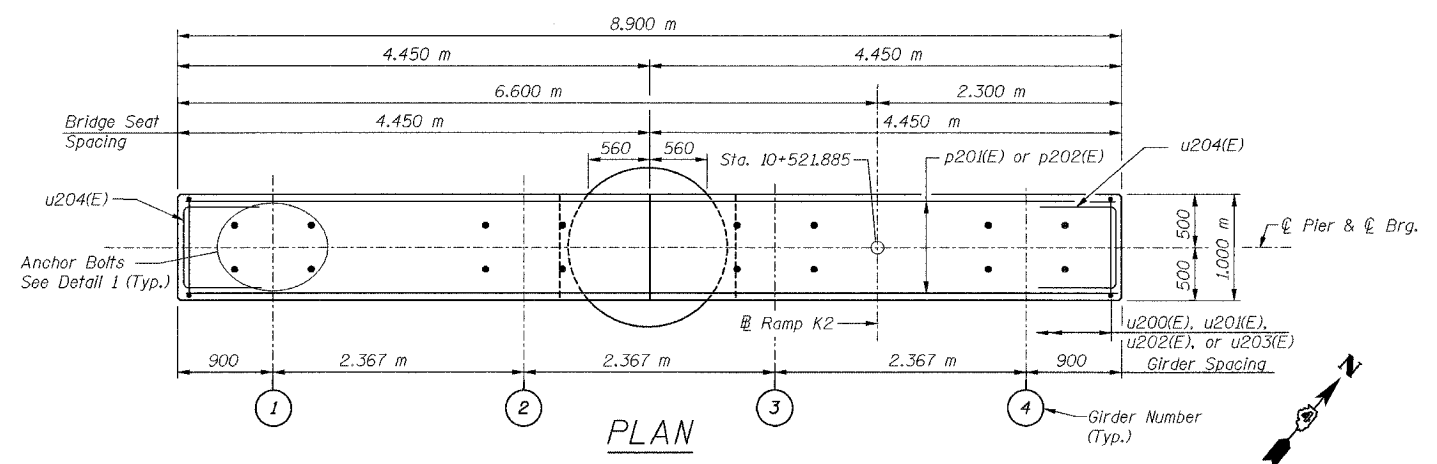


68201	ROUTE No.	SECTION	COUNTY	TOTAL SHEETS	SHEET NO.
FAI 74	*	TAZEWELL	1366	584	
STA.		TO STA.			
F.H.W.A. REGION		ILLINOIS		PROJECT	



2/3/2005

mf:\p\013573\compk2\ref\p2-7\0909056.dgn

DESIGNED	JWCIII
CHECKED	SWS
DRAWN	VH
CHECKED	LRB

- NOTES:**
1. Work this sheet with Sheet 40.
 2. For Anchor Bolt details, see Sheet 30.
 3. For Drilled Shaft details, see Sheet 5.
 4. Use the following minimum lap lengths unless otherwise noted:
 - #15 - 640
 - #20 - 790
 - #25 - 1.32 m
 - #30 - 1.85 m
 - #35 - 2.64 m
 5. E.F. denotes Each Face.

ILLINOIS DEPARTMENT OF TRANSPORTATION
 RAMP K-2 OVER
 MAIN ST & RAMP J-3
 F.A.I. ROUTE 74 (I-74)
 SECTION 90-IIB-5

**PIER 2
 PLAN & ELEVATION**

SN: 090-0156
 TAZEWELL CO., IL.

STA. 10+529.222
 DATE: 12-23-04

alfred benesch & company
 CONSULTING ENGINEERS
 205 NORTH MICHIGAN AVENUE, CHICAGO, ILLINOIS 60601
 JOB NO. 3573