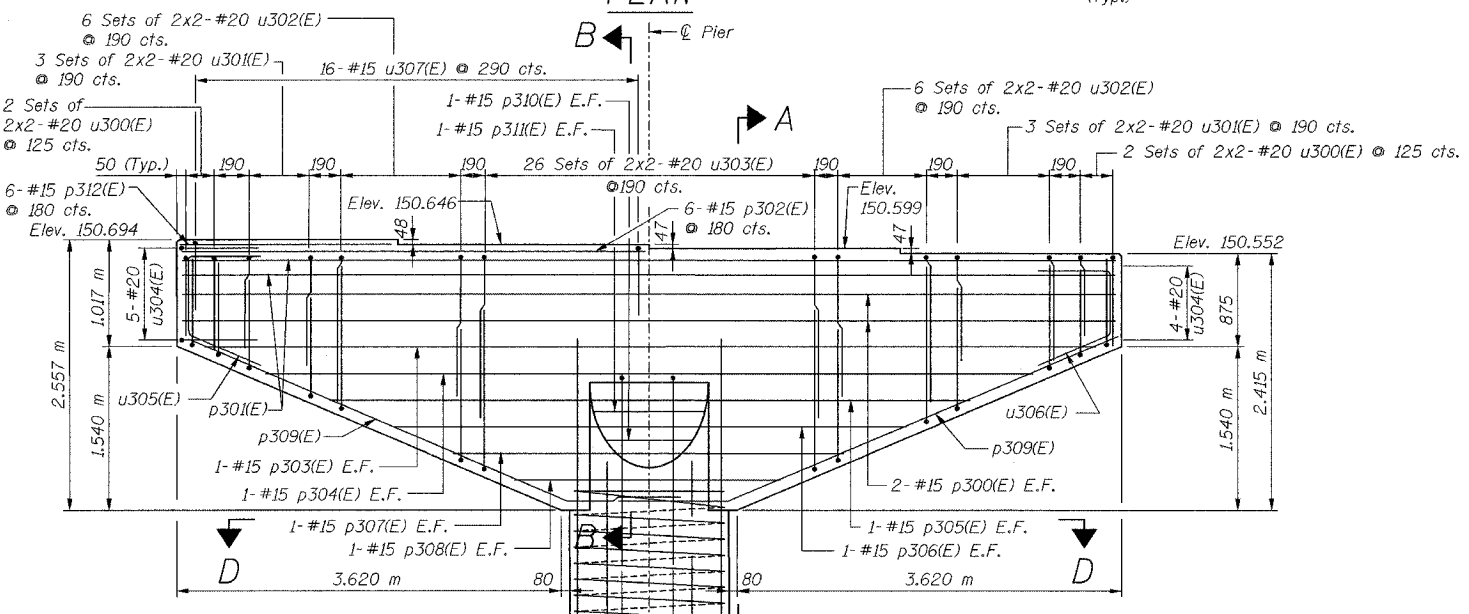
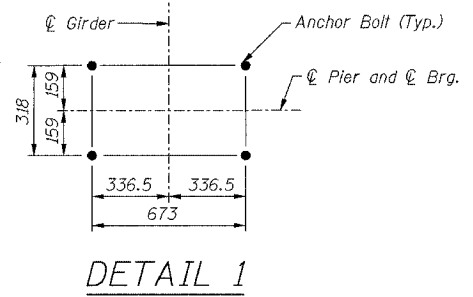
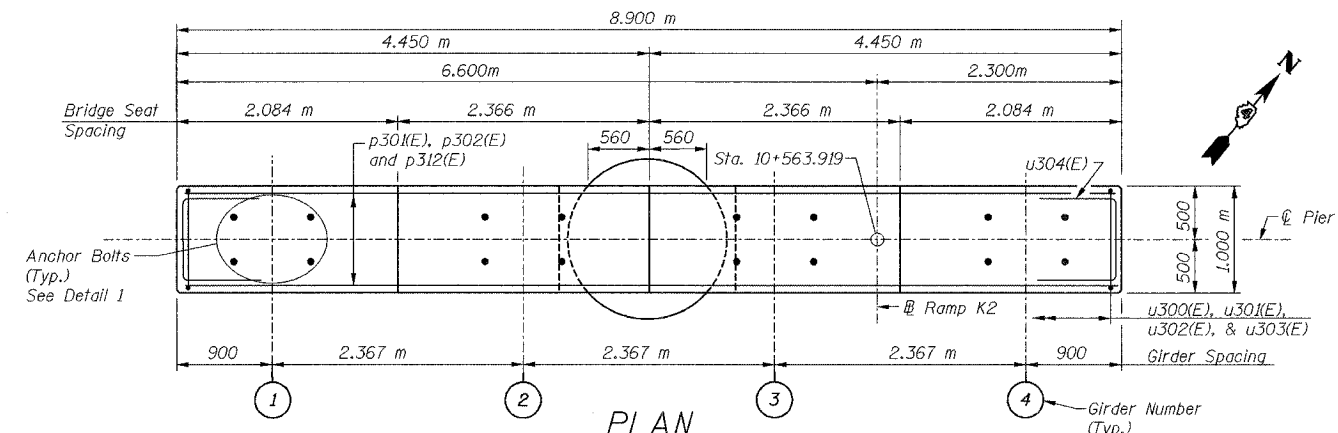
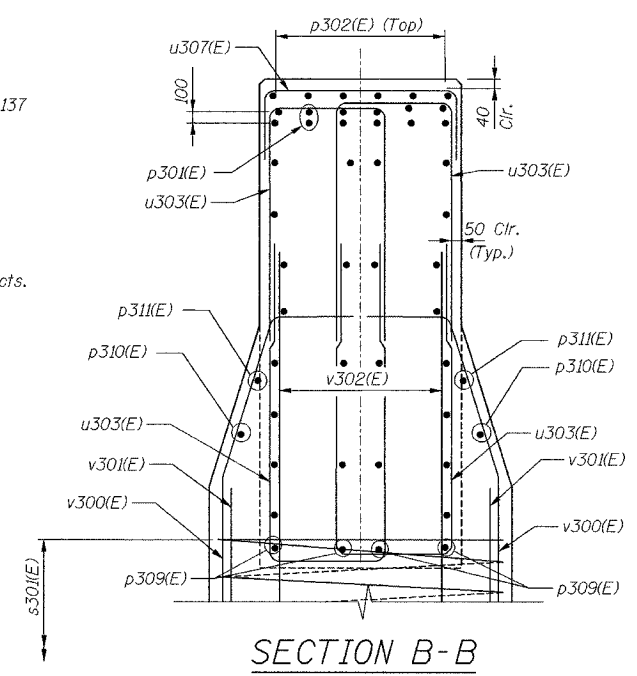
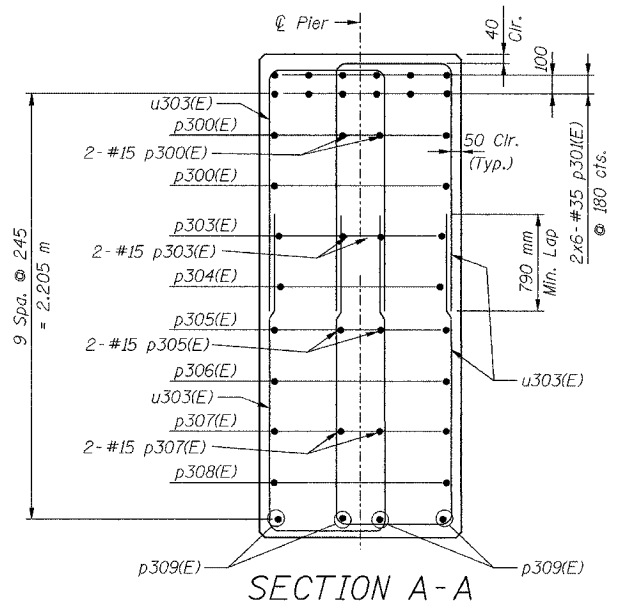
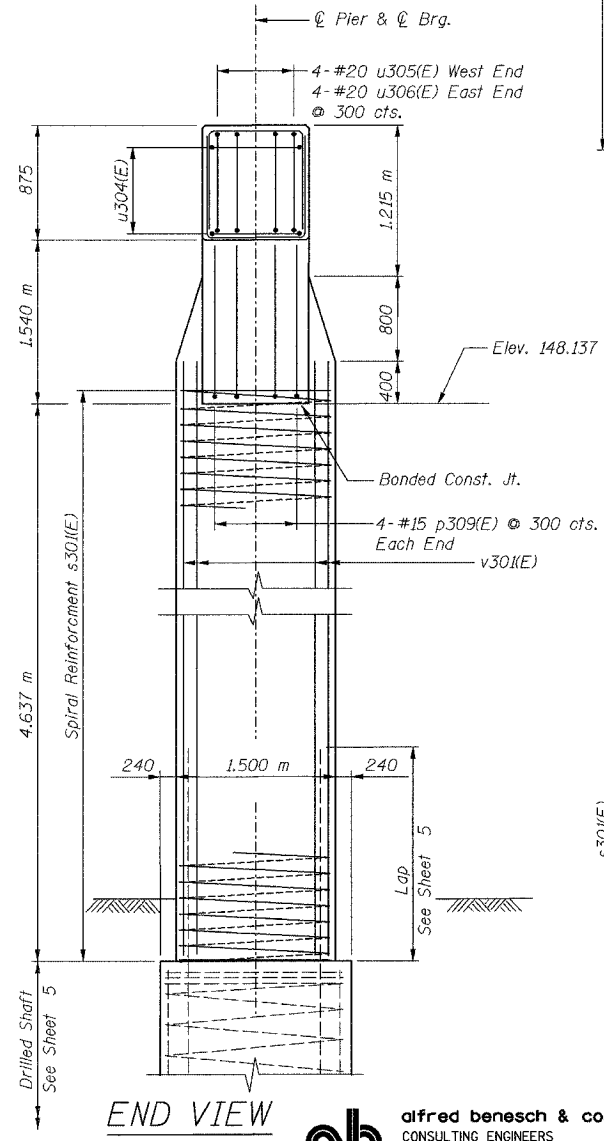


68201	ROUTE No.	SECTION	COUNTY	TOTAL SHEETS	SHEET NO.
FAI 74	*	TAZEWELL	1366	586	
STA.		TO STA.			
F.H.W.A. REGION		ILLINOIS		PROJECT	



- NOTES:**
1. Work this sheet with Sheet 42.
 2. For Anchor Bolt details, see Sheet 30.
 3. For Drilled Shaft details, see Sheet 5.
 4. Use the following minimum lap lengths unless otherwise noted:
 #15 - 640
 #20 - 790
 #25 - 1.32 m
 #30 - 1.85 m
 #35 - 2.64 m
 5. E.F. denotes Each Face.

DESIGNED	JWCIII
CHECKED	SWS
DRAWN	VH
CHECKED	LRB



ILLINOIS DEPARTMENT OF TRANSPORTATION
 RAMP K-2 OVER
 MAIN ST & RAMP J-3
 F.A.I. ROUTE 74 (I-74)
 SECTION 90-IIB-5

**PIER 3
 PLAN & ELEVATION**

SN: 090-0156
 TAZEWELL CO., IL.

STA. 10+529.222
 DATE: 12-23-04

alfred benesch & company
 CONSULTING ENGINEERS
 205 NORTH MICHIGAN AVENUE, CHICAGO, ILLINOIS 60601
 JOB NO. 3573

2/3/2005

ms:\p\013573\2v\amp;pk2\st\lbr 3-7a0900056.dgn