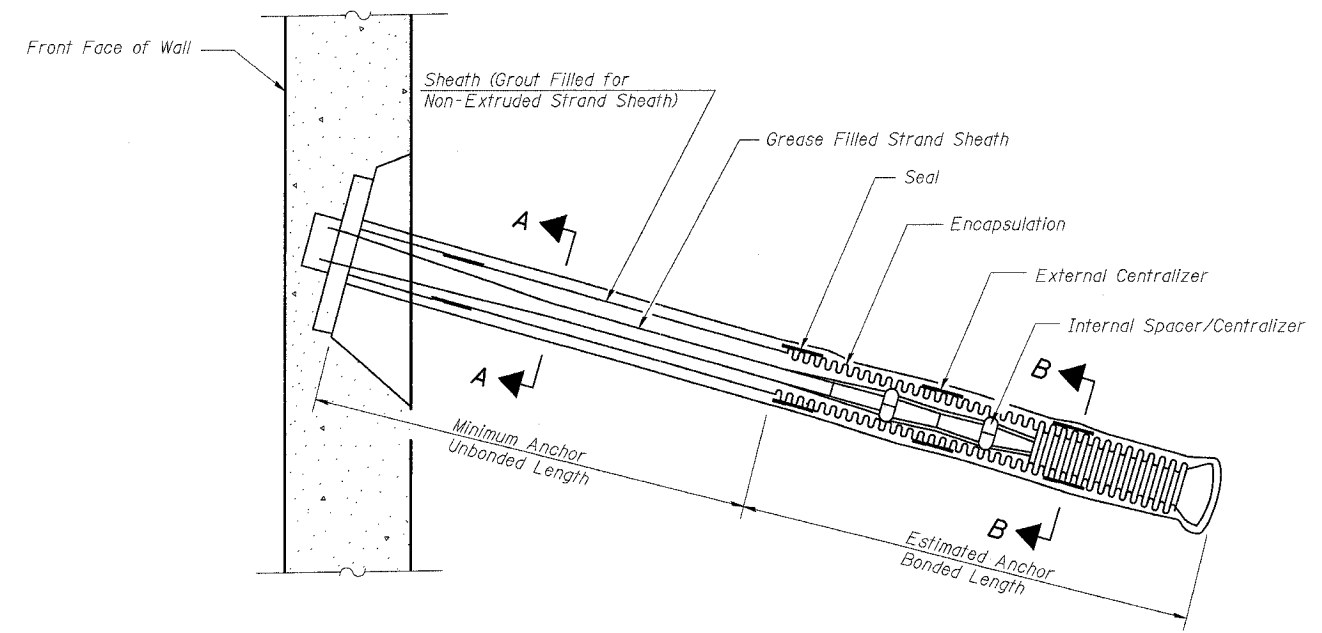


DETAIL AT ANCHORAGE HEAD



DETAIL OF CORROSION PROTECTION & TENDON DETAILS

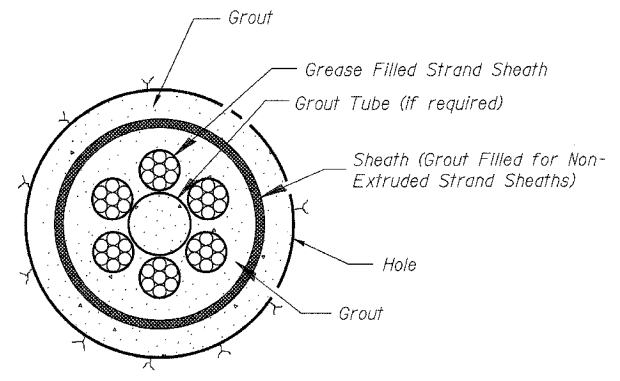
PERMANENT GROUND ANCHOR DATA

Soldier Pile Designation	Anchor Number	Anchor Head Elevation	Design Load (kN)	Inclination* Angle	**# of Prestressing Strands	Minimum Anchor Unbonded Length (m)	Estimated Anchor Bond *** Length (m)
I2	I2-1	161.082	700.0	15	5	9.0	6.25
	I2-2	158.892	761.0	15	5	6.8	6.75
	I2-3	156.702	761.0	15	5	5.0	6.75
	I2-4	154.512	762.0	20	5	4.5	11.0
	I2-5	152.322	765.7	20	5	9.0	6.0
I3	I3-1	160.968	670.0	15	5	9.0	6.25
	I3-2	158.838	721.5	15	5	6.8	6.75
	I3-3	156.708	721.5	15	5	5.0	6.75
	I3-4	154.578	741.6	20	5	4.5	11.0
	I3-5	152.448	726.2	20	5	9.0	6.0
I4	I4-1	159.980	754.7	15	5	9.0	6.25
	I4-2	157.630	673.1	15	5	6.8	6.75
	I4-3	155.280	673.1	15	5	5.0	6.75
	I4-4	152.930	677.5	20	5	4.5	11.0
J1	J1-1	160.580	652.0	15	5	7.5	11.0
	J1-2	158.080	705.6	15	5	6.0	10.0
	J1-3	155.580	705.6	15	5	4.0	12.0
	J1-4	153.080	691.0	15	5	7.0	12.0
J2	J2-1	160.000	835.0	15	6	7.5	11.0
	J2-2	157.260	900.0	25	6	6.0	10.0
	J2-3	154.520	881.0	25	6	4.0	12.0
J3	J3-1	160.230	654.5	15	5	7.5	11.0
	J3-2	157.710	742.7	25	5	6.0	10.0
	J3-3	155.190	727.3	25	5	4.0	12.0
	J4-1	159.840	585.2	15	4	7.5	11.0
J4	J4-2	156.850	667.0	25	5	6.0	10.0
	K1-1	159.860	585.2	15	4	4.4	9.5
K1	K1-2	156.860	625.2	15	4	4.5	8.75
	K2-1	159.659	674.6	15	5	4.4	9.5
K2	K2-2	156.759	703.4	15	5	4.5	8.75
	K3-1	159.690	593.6	15	4	6.0	9.25
K3	K3-2	156.940	627.3	15	4	6.0	8.75
	K4-1	159.740	594.8	15	4	8.0	8.5

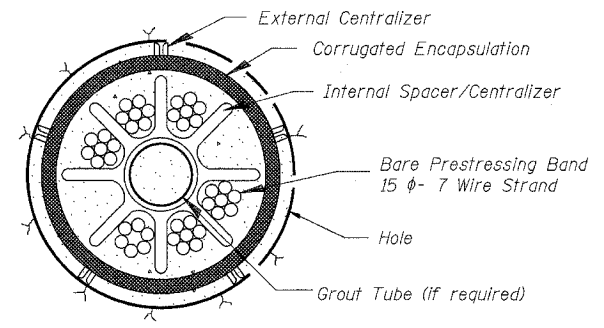
* Measured from horizontal plane.

** The prestressing steel tendon shall consist of the specified number of seven-wire strands (AASHTO M203M Grade 1860 No. 15) An alternate system using an equivalent High Strength Steel bar is allowed.

*** Estimated length only. The contractor shall determine the bonded length necessary to satisfy the test load requirements. The Anchor unbonded length may need to be increased to put the Anchor bonded region in a suitable soil.



SECTION A-A



SECTION B-B

LIN ENGINEERING, LTD.
 20 N. Chestnut
 (312) 453-888
 Chicago, Illinois 60629
 FAX (312) 453-4706
 Designed By: MTH Checked By: KHS Drawn By: JMD
 Date: 09/02 File: rz0406-5008513.dgn

REVISIONS	
NO.	NAME

ILLINOIS DEPARTMENT OF TRANSPORTATION
GROUND ANCHOR DETAILS
 RETAINING WALL 82
 F.A.I. RTE. 74 (I-74)
 SECTION 90-11HB-5
 TAZEWELL COUNTY
 RAMP K-2 STATION 10+378 TO 10+507
 STRUCTURE NUMBER 090-8513