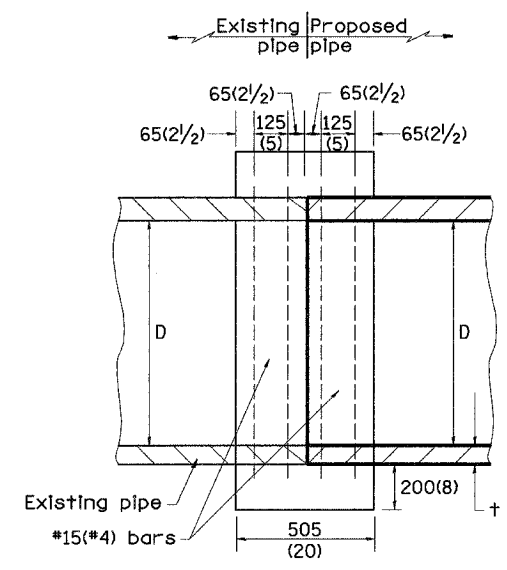
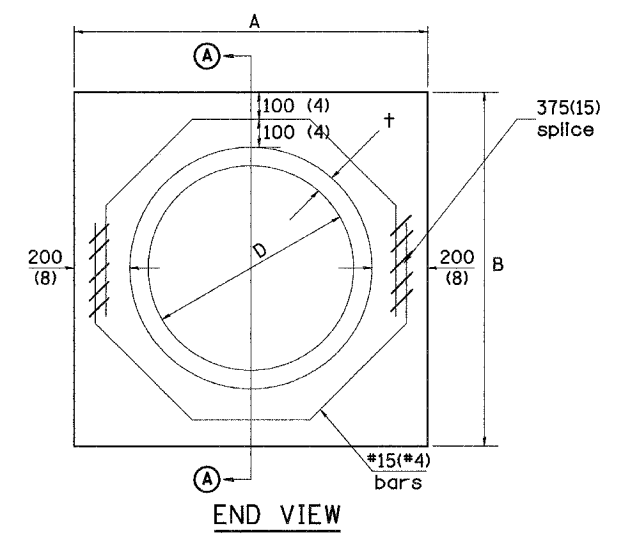


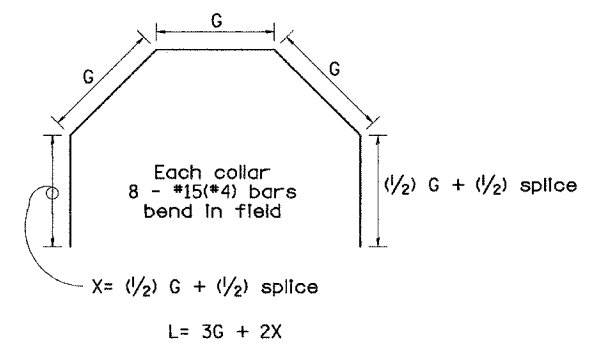
F.A. RTE.	SECTION	COUNTY	TOTAL SHEETS	SHEET NO.
			1366	646
STA.		TO STA.		
FED. ROAD DIST. NO.	ILLINOIS	FED. AID PROJECT		



SECTION A - A



END VIEW



Each Collar									
					Reinforcement Bars				
D	†	A	B	CL. SI CONC.	G	X	L	Weight	
m (in)	m (in)	m (ft)	m (ft)	m ³ (cu. yd)	m (in)	m (in)	m (ft)	kg (lb)	
300 (12)	51 (2.00)	0.814 (2.67)	0.814 (2.67)	0.270 (0.4)	253 (9 15/16)	317 (12 7/16)	1.393 (4.57)	11 (24)	
375 (15)	57 (2.25)	0.902 (2.96)	0.902 (2.96)	0.315 (0.4)	290 (11 3/8)	335 (13 3/16)	1.541 (5.05)	12 (27)	
450 (18)	64 (2.50)	0.991 (3.25)	0.991 (3.25)	0.362 (0.5)	327 (12 13/16)	354 (13 7/8)	1.689 (5.54)	14 (30)	
525 (21)	70 (2.75)	1.079 (3.54)	1.079 (3.54)	0.411 (0.5)	364 (14 1/4)	372 (14 5/8)	1.836 (6.02)	15 (32)	
600 (24)	76 (3.00)	1.167 (3.83)	1.167 (3.84)	0.460 (0.6)	401 (15 11/16)	391 (15 5/8)	1.984 (6.51)	16 (35)	
675 (27)	83 (3.25)	1.259 (4.13)	1.259 (4.13)	0.516 (0.7)	438 (17 1/4)	409 (16 1/16)	2.131 (6.99)	17 (37)	
750 (30)	89 (3.50)	1.347 (4.42)	1.347 (4.42)	0.570 (0.7)	475 (18 11/16)	428 (16 3/4)	2.279 (7.48)	18 (40)	
825 (33)	95 (3.75)	1.436 (4.71)	1.436 (4.71)	0.624 (0.8)	512 (20 1/8)	446 (17 1/2)	2.426 (7.96)	19 (43)	
900 (36)	102 (4.00)	1.524 (5.00)	1.524 (5.00)	0.682 (0.9)	549 (21 9/16)	465 (18 3/16)	2.574 (8.44)	20 (45)	
1050 (42)	114 (4.50)	1.701 (5.58)	1.701 (5.58)	0.800 (1.0)	622 (24 7/16)	501 (19 3/4)	2.869 (9.41)	23 (50)	
1200 (48)	127 (5.00)	1.881 (6.17)	1.881 (6.17)	0.930 (1.2)	696 (27 5/16)	538 (21 3/16)	3.164 (10.38)	25 (55)	

GENERAL NOTES

1. THE COLLAR SHALL BE CONSTRUCTED ENTIRELY OF CLASS SI CONCRETE IN ACCORDANCE WITH THE APPLICABLE PORTIONS OF SECTION 503 OF THE STANDARD SPECIFICATIONS. REINFORCEMENT BARS SHALL CONFORM TO SECTION 508.

All dimensions are in millimeters (inches) unless otherwise noted.

QUANTITIES	
CALC. BY: R. J. D.	2-2-98
CHECKED BY: R. D. H.	2-6-98
DATE:	
DATE:	
QUANTITY CALCULATIONS ARE ON FILE AT THE DISTRICT 4 OFFICE; BUREAU OF PROJECT IMPLEMENTATION; DOCUMENTATION SECTION	

DATE	REVISIONS	BY
1-1-97	RENUM. B-8.03, NEW REVISION BOX ADDED QUANTITY CALCULATION BOX, REVISED TITLE BOX	T.P.
4-1-97	CORRECT BAR	J.A.
2-10-98	REVISE QUANTITIES	J.A.
9-1-00	CORRECT WEIGHT	J.A.

ILLINOIS DEPARTMENT OF TRANSPORTATION	
DISTRICT CADD STANDARD	
PIPE CULVERT	
EXTENSION COLLAR	
(WITHOUT END SECTION)	
CADD STANDARD 542016-D4	DRAWN BY: CADD
SCALE: NOT DRAWN TO SCALE	CHECKED BY:
DATE: **DATE**	