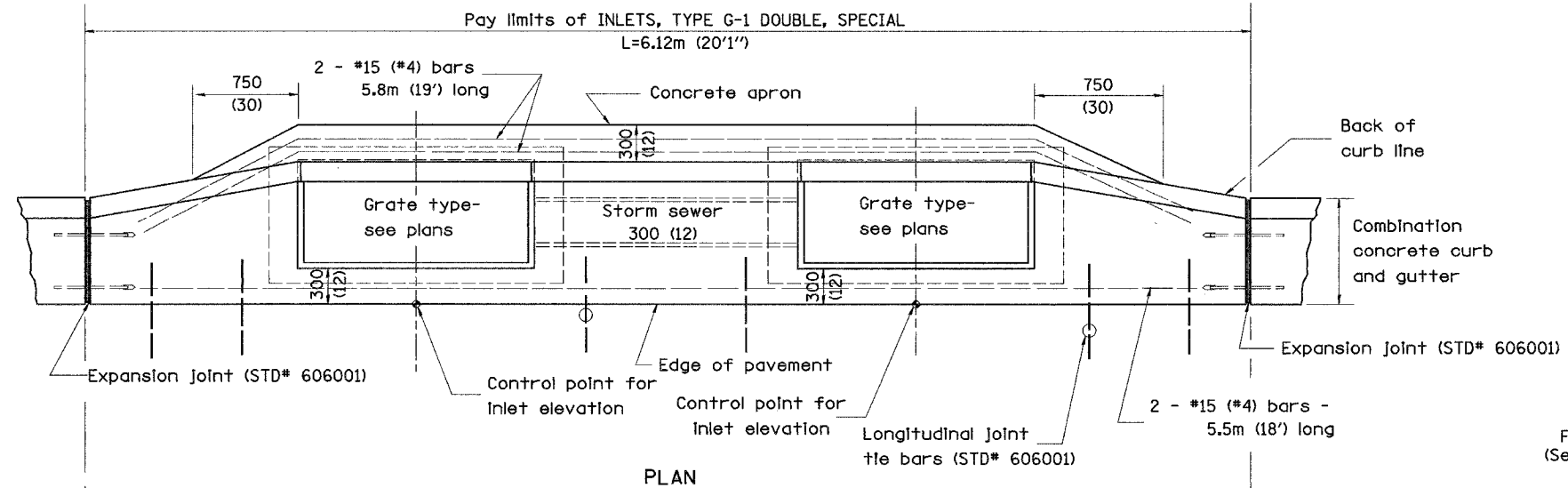
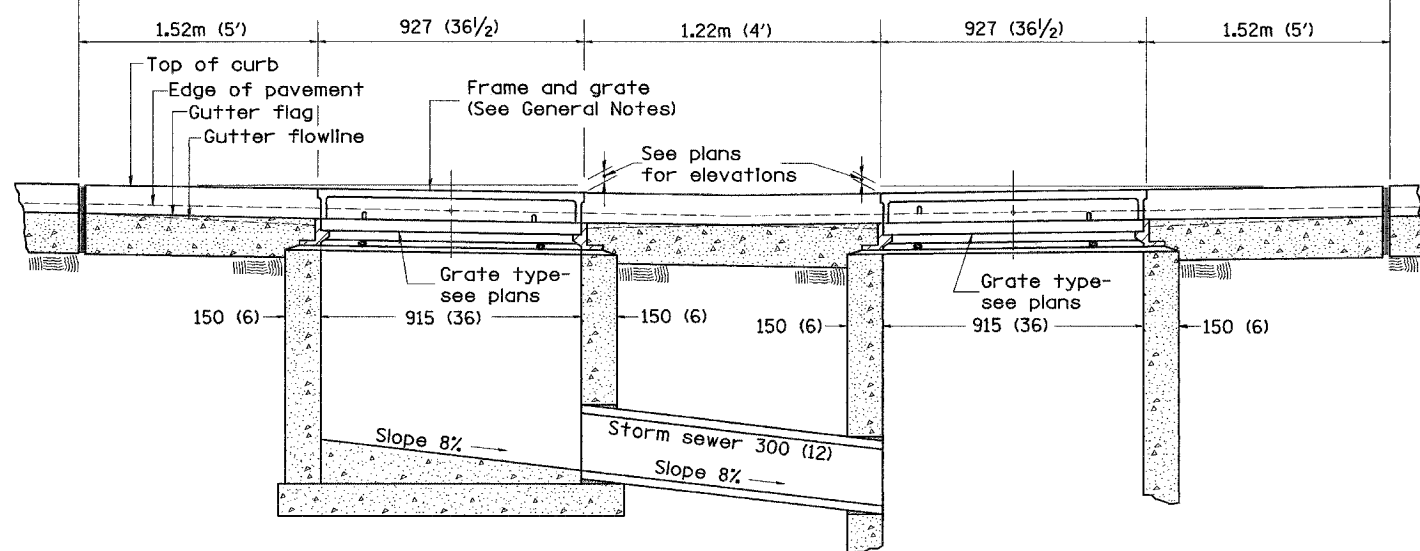


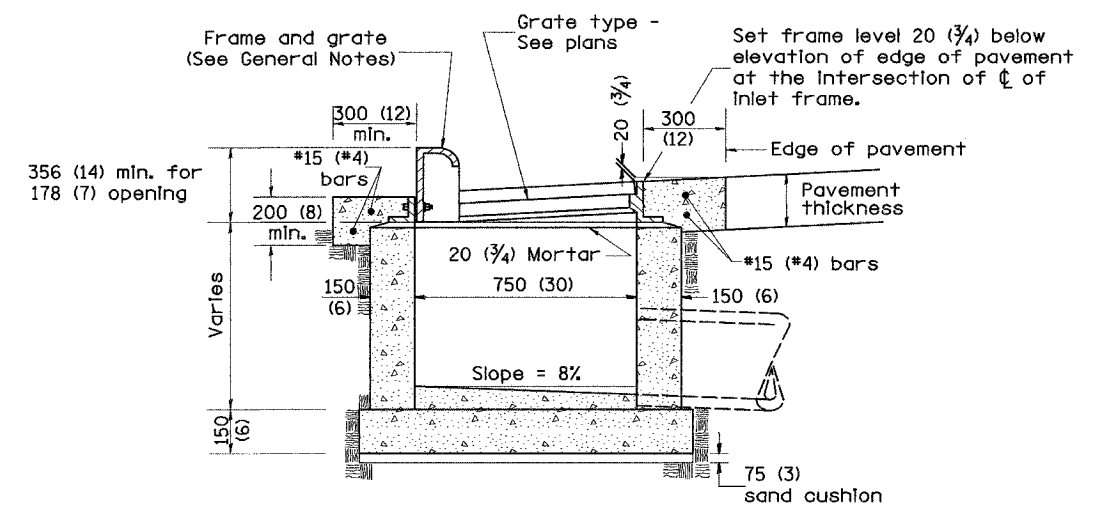
F.A. RTE.	SECTION	COUNTY	TOTAL SHEETS	SHEET NO.
			1366	651
STA.		TO STA.		
FED. ROAD DIST. NO.	ILLINOIS	FED. AID PROJECT		



PLAN



FRONT ELEVATION



ELEVATION (SIDE)

GENERAL NOTES

1. Inlet construction shall be in accordance with Section 602 of the Standard Specifications.
2. Combination Concrete Curb & Gutter shall be constructed in accordance with Section 606 of the Standard Specifications.
3. See District CADD Standard 604001-D4 for frame and grates.

All dimensions are in millimeters (inches) unless otherwise noted.

ILLINOIS DEPARTMENT OF TRANSPORTATION  
DISTRICT CADD STANDARD

INLETS, TYPE G-1 DOUBLE,  
SPECIAL

CADD STANDARD 602016-D4

SCALE NOT TO SCALE DRAWN BY CADD  
DATE \*\*DATE\*\* CHECKED BY

DATE	REVISION	BY
1-1-97	RENUM. B-4.04, NEW REVISION BOX	T.P.
4-1-97	CORRECT DIMENSIONS	J.A.
10-99	REVISION TO GENERAL NOTES	J.A.

2. Include State Standard #40001 for pavement joints.  
 3. Include District CADD Standard for frame and grates.  
 4. Include District Special Provision. Pay item includes transitional c.c.c. & g., inlet and frame and grate. All work within pay limits.  
 5. Specify grate type in plans.

\$\$\$DATE\$\$\$