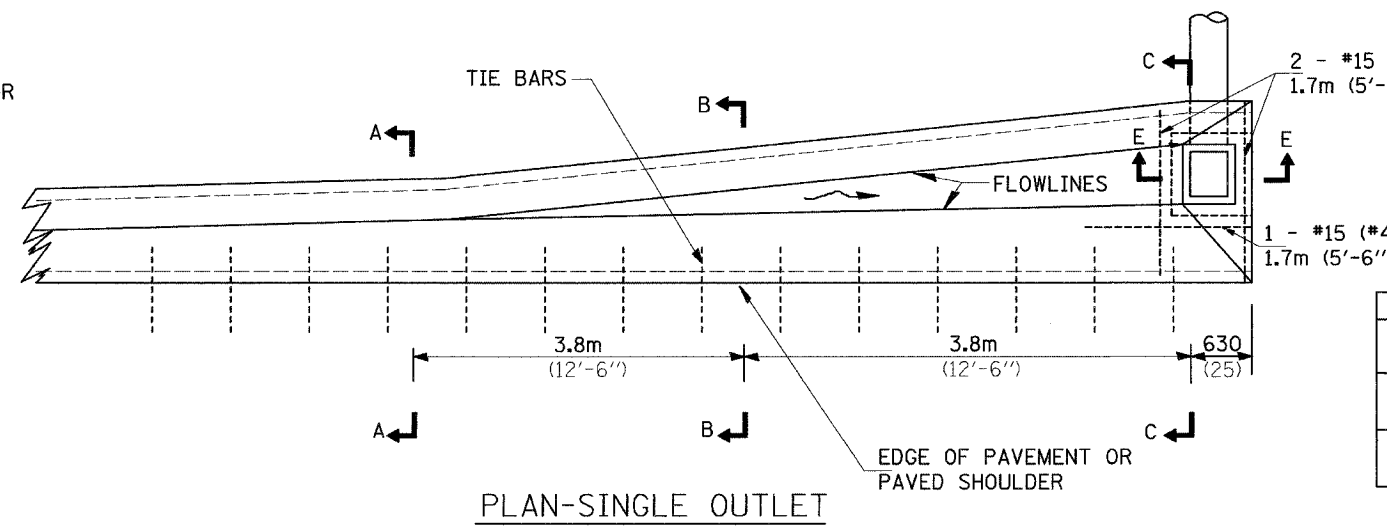
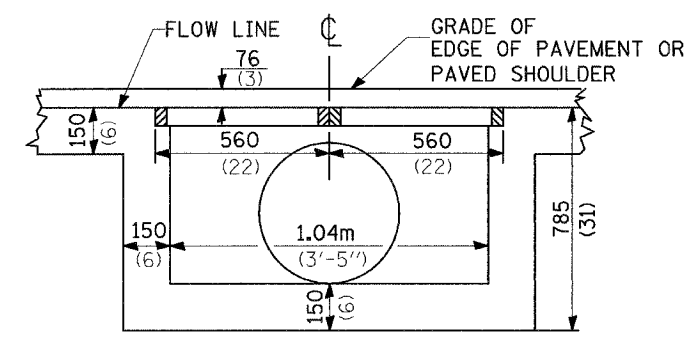
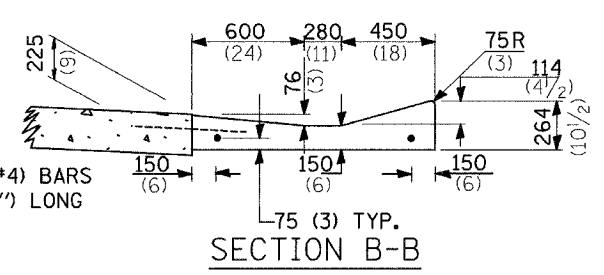
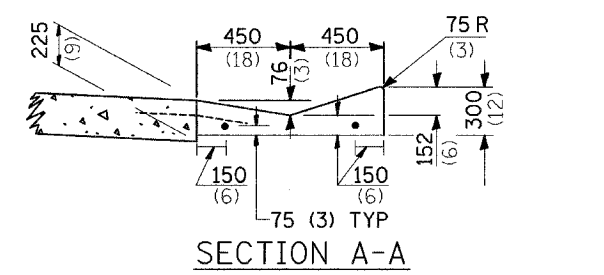
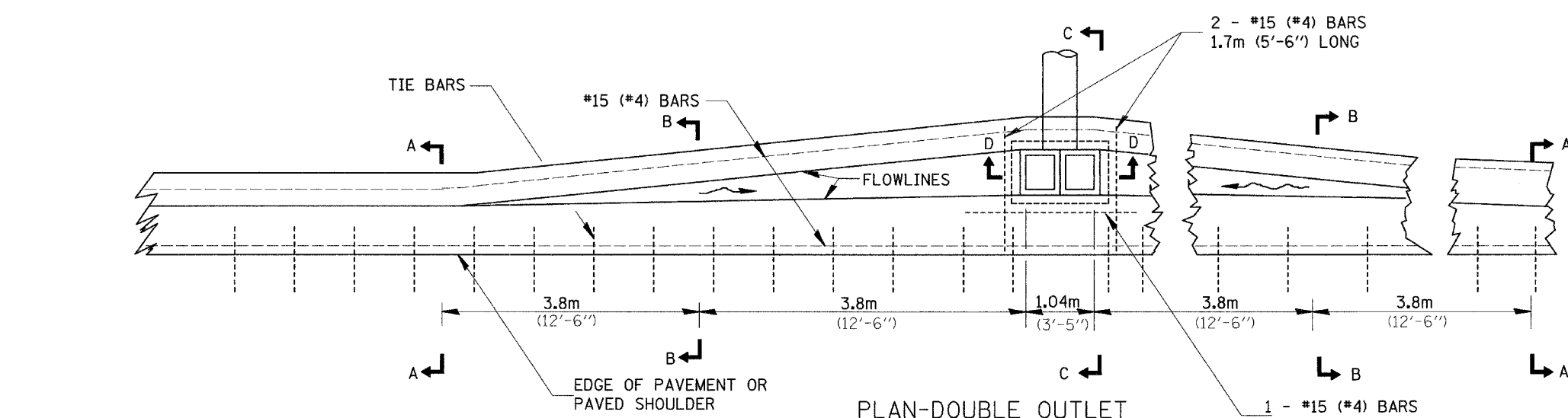
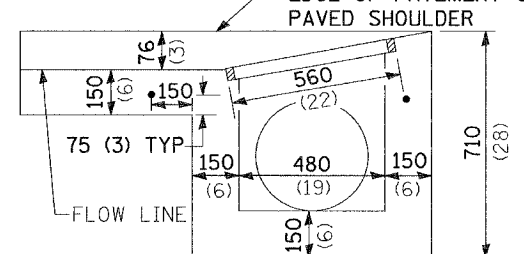
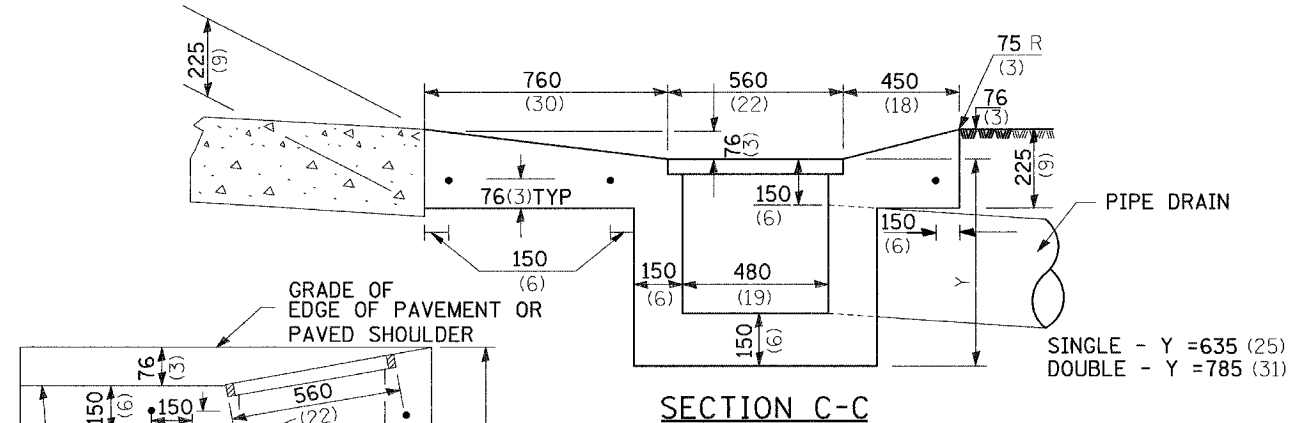
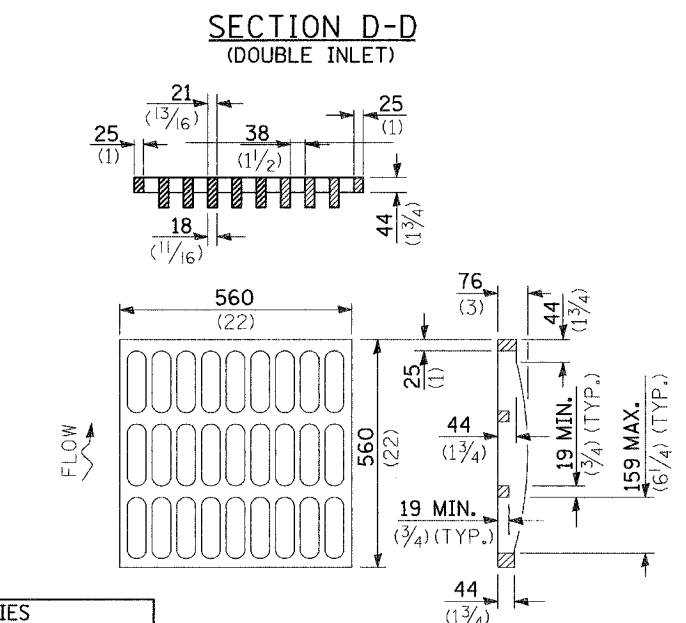


F.A. RTE.	SECTION	COUNTY	TOTAL SHEETS	SHEET NO.
			1366	658
STA.		TO STA.		
FED. ROAD DIST. NO.	ILLINOIS	FED. AID PROJECT		



QUANTITIES

MATERIAL	SINGLE	DOUBLE
CONCRETE - m <sup>3</sup> (cu.yd.)	( )	( )
CAST IRON GRATE - Ea. 57 kg (125 lbs.)	1	2
PIPE DRAIN - DIA. mm (in.)	400 (15)	450 (18)



GENERAL NOTES

The gutter outlet shall be tied to the pavement in accordance with details for longitudinal construction joint shown on Standard 420001.

Tie bars shall be No. 20 (No. 6) at 600mm (24") centers unless otherwise shown.

If the average grade of pavement for the distance A-D exceeds 2%, this distance shall be increased 1.8m (6') for each 1% increase in grade.

All dimensions are in millimeters (inches) unless otherwise noted.

ILLINOIS DEPARTMENT OF TRANSPORTATION	
DISTRICT CADD STANDARD	
OUTLET TYPE 1 (MODIFIED) FOR TYPE A GUTTER (MODIFIED)	
CADD STANDARD 606106-D4	
NOT DRAWN TO SCALE	DRAWN BY CADD
DATE **DATE**	CHECKED BY

DATE	REVISIONS	BY
1-1-97	RENUM. A-107, NEW REVISION BOX. ADDED DESIGNER NOTES.	T.P.

DESIGNER NOTE:  
1. INCLUDE STATE STANDARD 420001.  
2. INCLUDE DISTRICT SPECIAL PROVISION.

QUANTITIES

CALC. BY: \_\_\_\_\_ DATE: \_\_\_\_\_

CHECKED BY: \_\_\_\_\_ DATE: \_\_\_\_\_

QUANTITY CALCULATIONS ARE ON FILE AT THE DISTRICT 4 OFFICE; BUREAU OF PROJECT IMPLEMENTATION; DOCUMENTATION SECTION