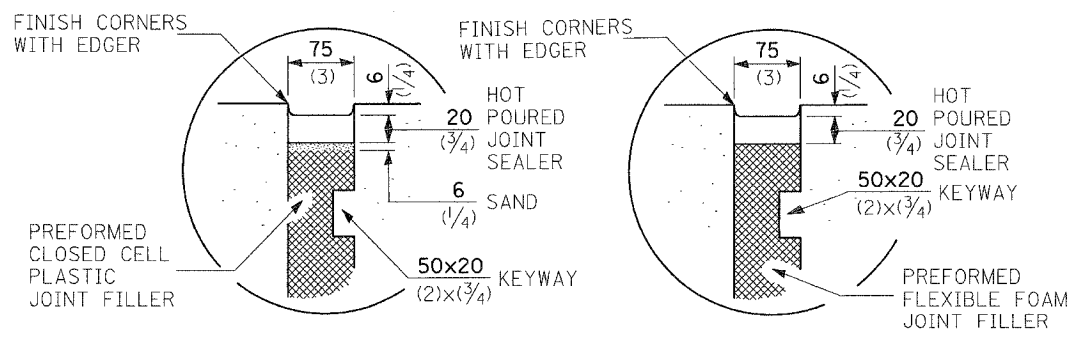
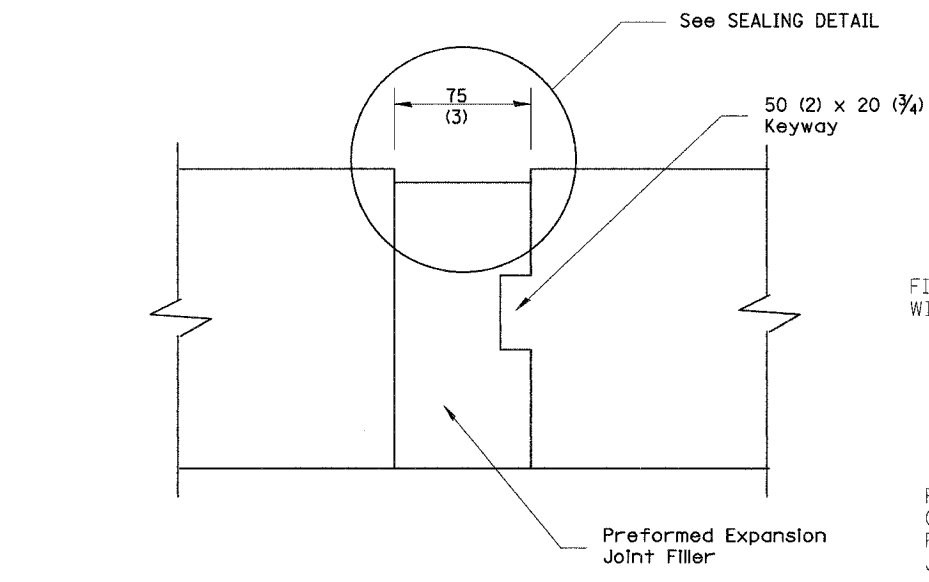
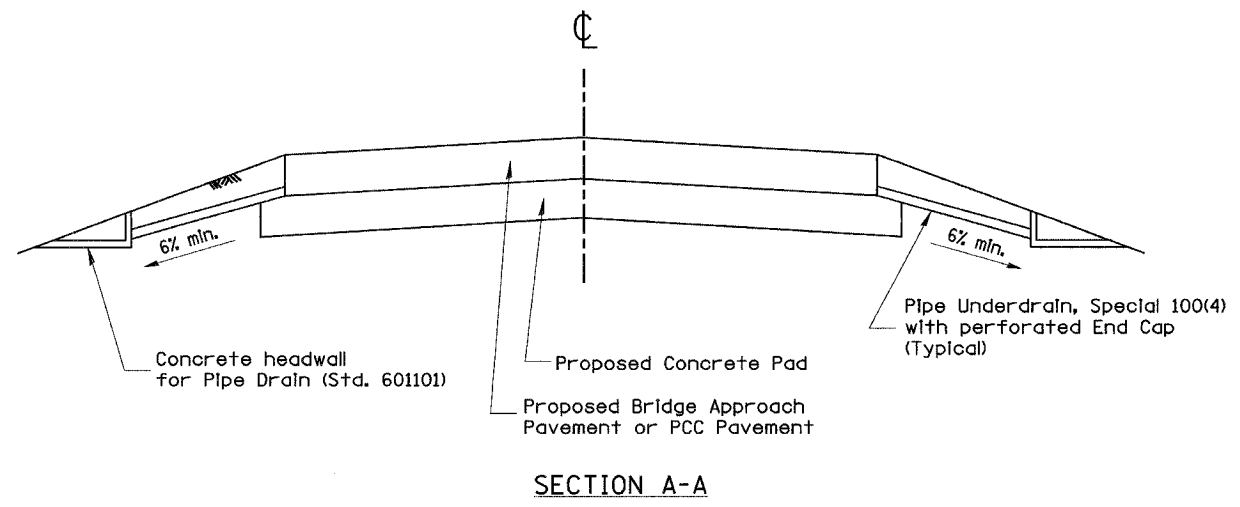
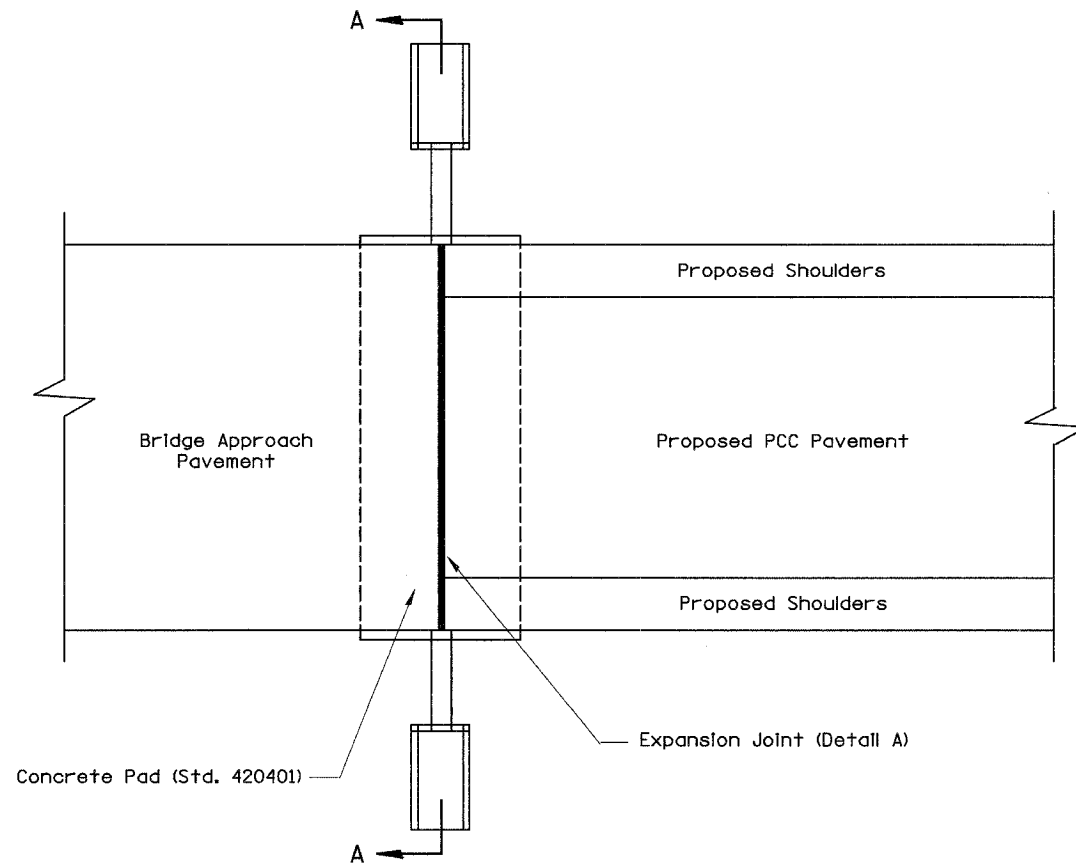


F.A. - RTE.	SECTION	COUNTY	TOTAL SHEETS	SHEET NO.
			1966	666
STA.		TO STA.		
FED. ROAD DIST. NO.		ILLINOIS FED. AID PROJECT		



**GENERAL NOTES:**

- All work shall be done in accordance with Standard 420401 and other plan details except as shown herein.
- The concrete headwalls and pipe underdrain special will be in accordance with Section 601.

All dimensions are in millimeters (inches) unless otherwise noted.

DESIGNER NOTES:  
1. Include Standards 420001, 601101 and 420401 in plans.

Preformed Expansion Joint Filler shall meet the requirements of Article 1051.08 or 1051.09 and shall be supplied as 75 (3) in width. The expansion joint shall be constructed in accordance with Articles 420.10(c) and 420.14.

REVISIONS	
NAME	DATE
H.S. 2004	9/26/03

ILLINOIS DEPARTMENT OF TRANSPORTATION  
I-74 PROJECT STANDARD 420402-174  
MAINLINE AND RAMP BRIDGE APPROACH EXPANSION JOINT DETAIL  
DRAWN BY  
CHECKED BY  
DATE 11/14/02