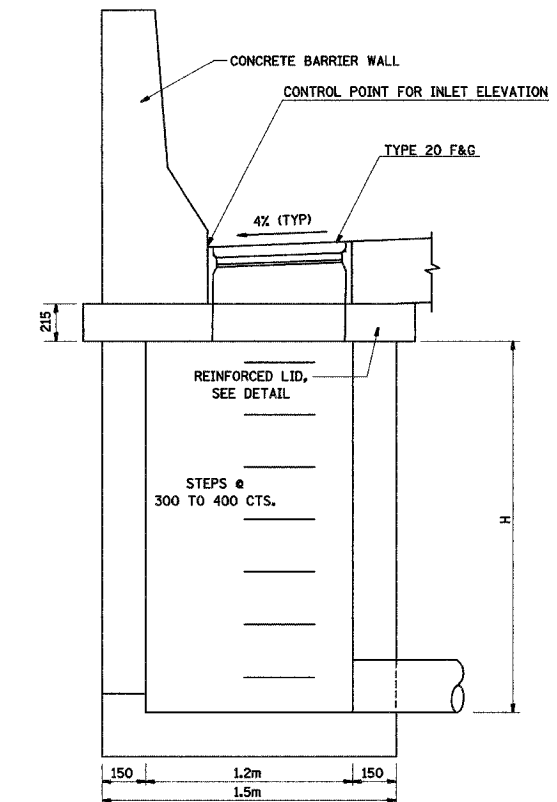
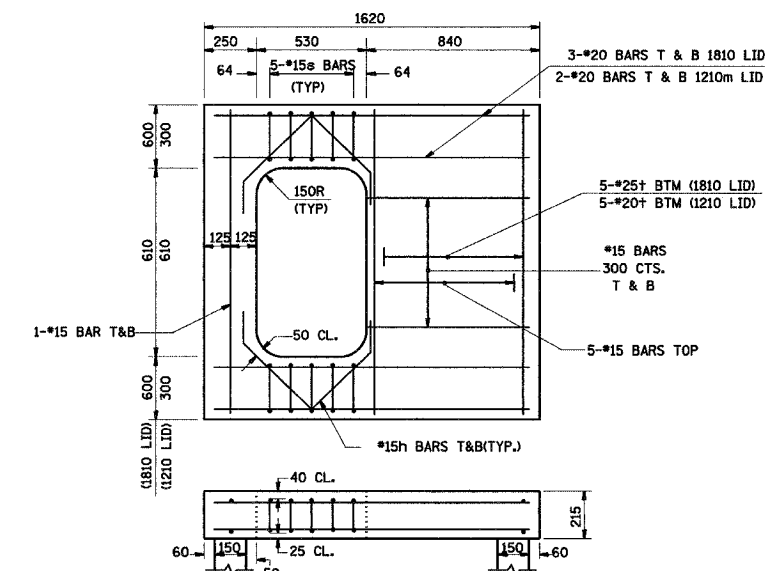


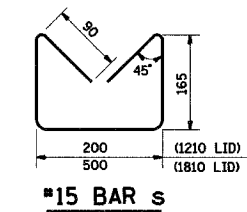
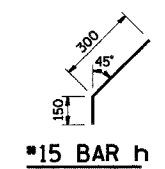
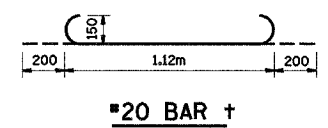
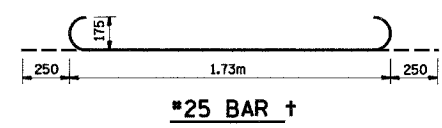
F. A. I. No.	SECTION	COUNTY	TOTAL SHEETS	SHEET NO.
			1366	672
STA.	TO STA.			
FED. ROAD DIST. NO.	SLAB NO.	FED. AID PROJECT		



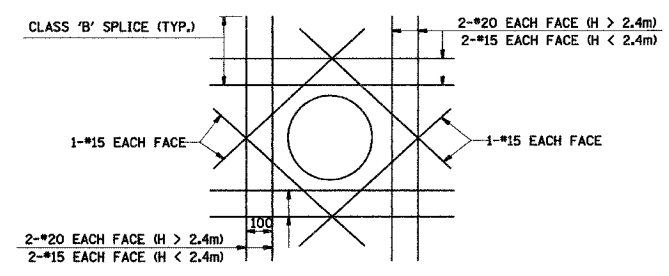
**DRAINAGE STRUCTURE WITH TYPE 20 F&G**



**REINFORCED LID FOR TYPE 20 F&G**



**BAR DETAILS**



**TYPICAL REINFORCEMENT DETAIL AROUND SIDEWALL OPENINGS (OPENING > 300)**

WHERE CLASS 'B' SPLICE LENGTH ANCHORAGE IS NOT POSSIBLE, BARS SHOULD BE HOOKED.

**NOTES:**

1. DRAINAGE STRUCTURE SHALL CONFORM TO HIGHWAY STANDARD 602101 EXCEPT AS NOTED.
2. REINFORCEMENT FOR STRUCTURE WALLS AND BASE SLAB SHALL BE IN ACCORDANCE WITH STD. 602101 FOR DEPTHS UP TO H=2.4m

REVISIONS	
NAME	DATE

ILLINOIS DEPARTMENT OF TRANSPORTATION  
1-74 PROJECT STANDARD 602101-174  
DRAINAGE STRUCTURE  
TYPE 1A & 1B  
1.2m x 0.9m AND 1.2m x 1.5m  
FOR H < 2.4m

SCALE: VERT. NONE  
HORIZ. NONE  
DATE 1/15/01

DRAWN BY MAI/CAD  
CHECKED BY

12/7/2004 4:08:00 PM  
 I:\Projects\602101-174\Drawings\602101-174.dwg