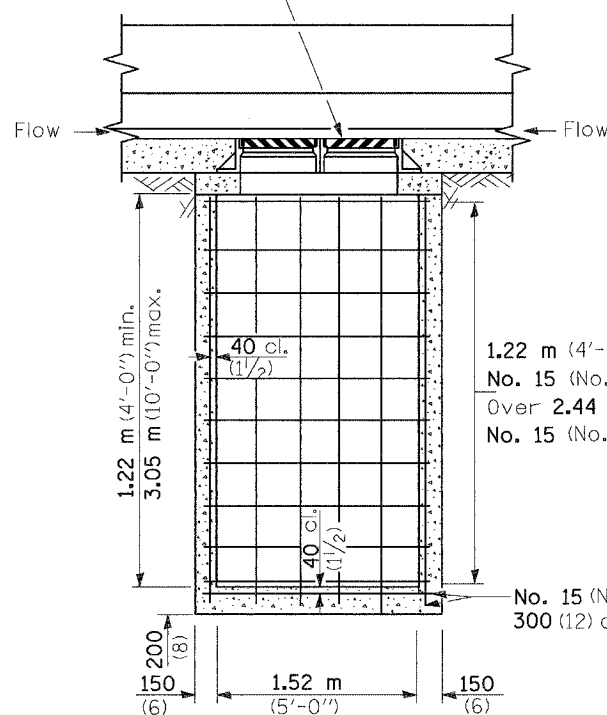


F.A. RTE.	SECTION	COUNTY	TOTAL SHEETS	SHEET NO.
			1326	673
STA.		TO STA.		
FED. ROAD DIST. NO.		ILLINOIS FED. AID PROJECT		

Type 22 frames and grates

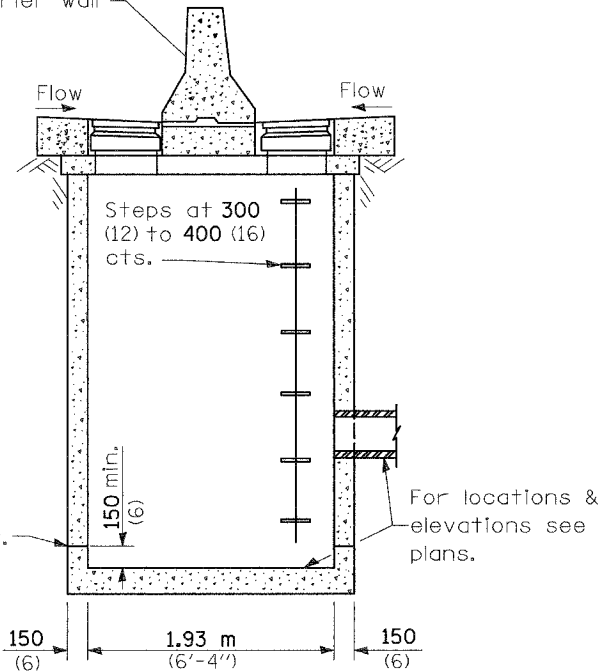


FRONT ELEVATION - TYPE 2

1.22 m (4'-0") to 2.44 m (8'-0") inclusive  
 No. 15 (No. 5) bars at 300 (12) cts. ± (all sides).  
 Over 2.44 m (8'-0") to 3.05 m (10'-0")  
 No. 15 (No. 5) bars at 255 (10) cts. ± (all sides).

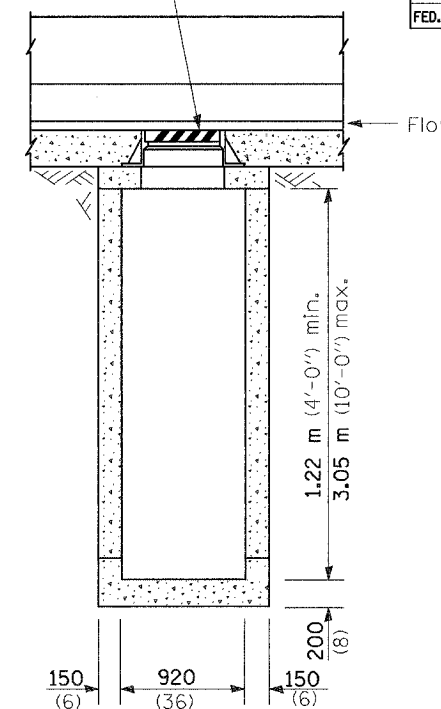
No. 15 (No. 5) Bars at 300 (12) cts. ±

Concrete barrier wall



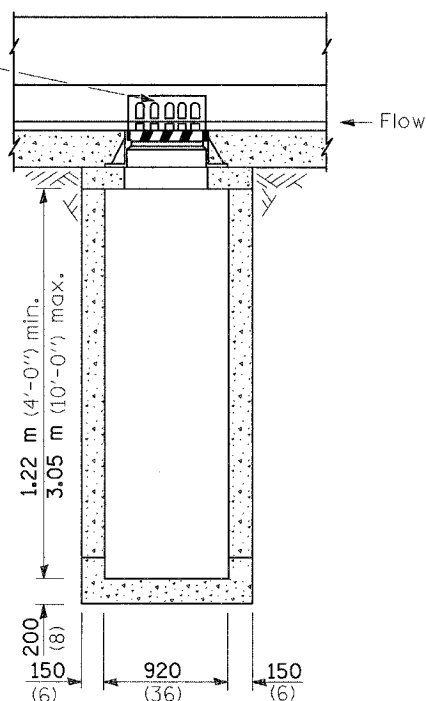
SIDE ELEVATION - TYPE 1 & 2

Type 20 frame grate

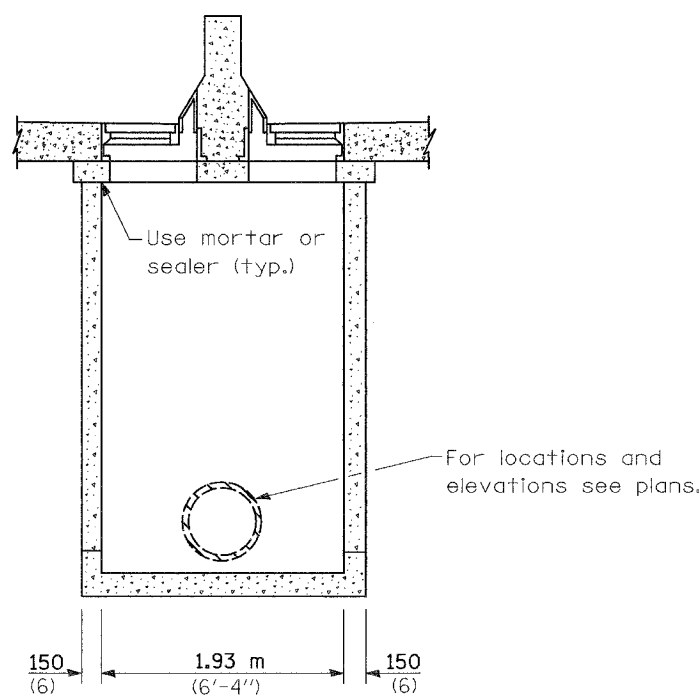


FRONT ELEVATION - TYPE 1

Type 21 frame and grate



FRONT ELEVATION - TYPE 3



SIDE ELEVATION - TYPE 3

### GENERAL NOTES

The reinforcement shown in the front elevation of the type 2 is typical for both elevations of all types.

See Standard 602701 for details of steps.

Exposed edges shall be beveled 19 mm (3/4").

All dimensions are in millimeters (Inches) unless otherwise shown.

REVISIONS	
NAME	DATE
△	5-6-04

ILLINOIS DEPARTMENT OF TRANSPORTATION  
 I-74 PROJECT STANDARD 602102-174  
 DRAINAGE STRUCTURES  
 TYPES 1, 2 & 3  
 (Sheet 1 of 2)  
 DATE 3/31/04  
 DRAWN BY  
 CHECKED BY

△ ADDED SCHEDULE