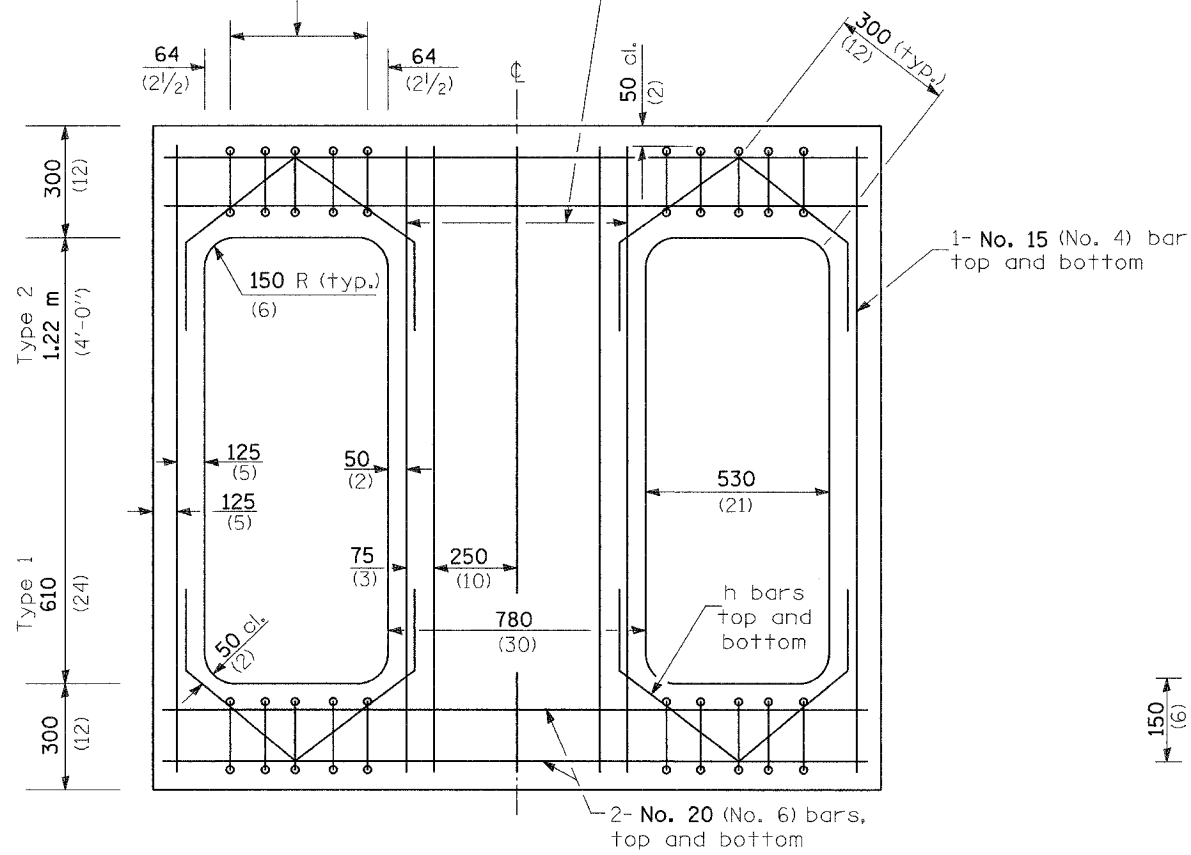
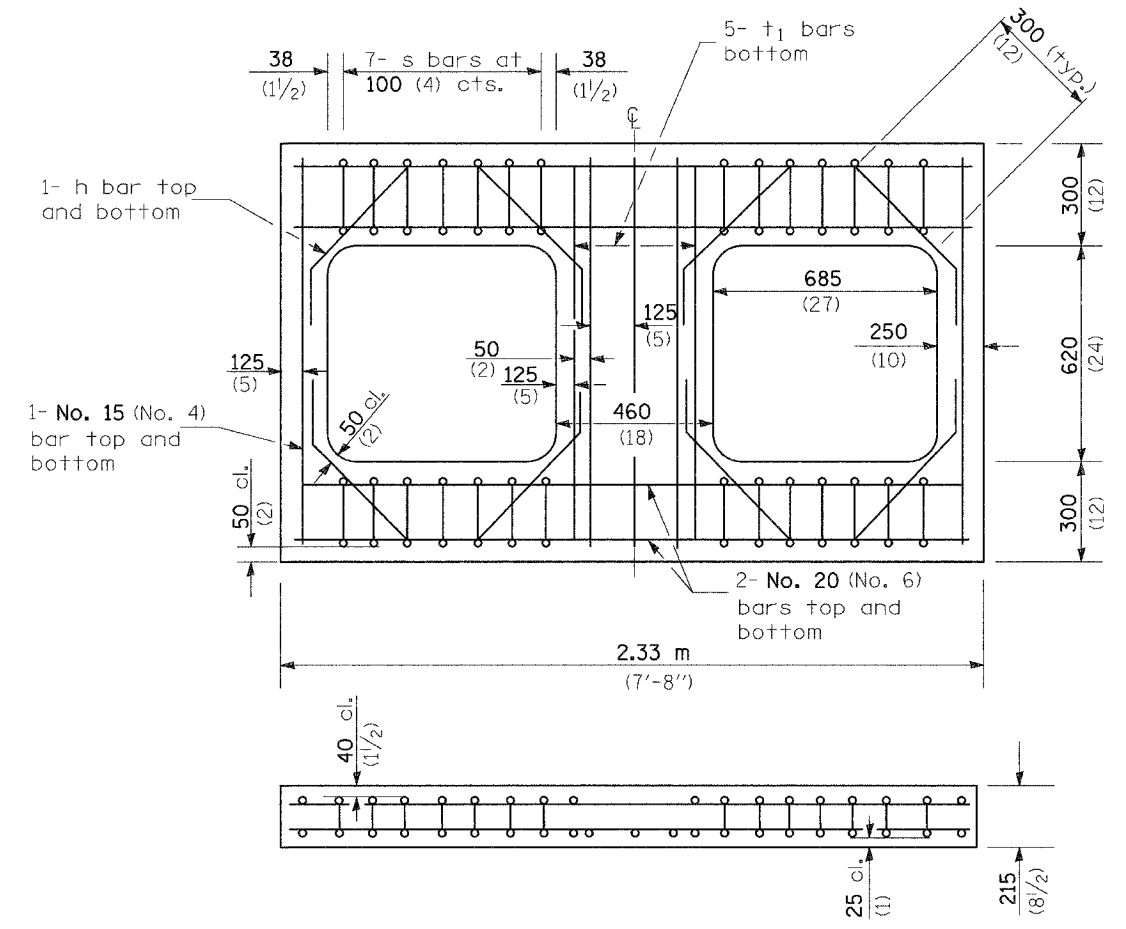


F.A. RTE.	SECTION	COUNTY	TOTAL SHEETS NO.	SHEET NO.
			1366	674
STA.		TO STA.		
FED. ROAD DIST. NO.		ILLINOIS FED. AID PROJECT		

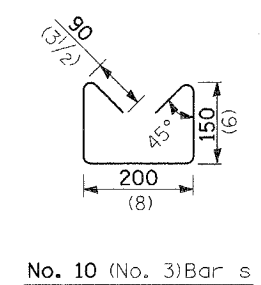
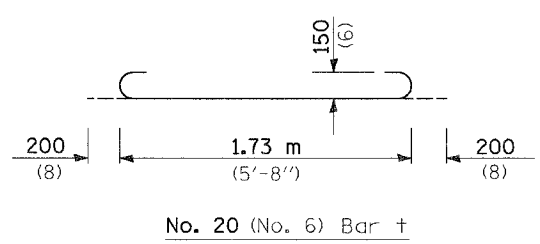
5- s bars at 100 (4) cts. (typ.)
 5- t bars bottom 1.83 m (6'-0") lid
 5- t₁ bars bottom 1.22 m (4'-0") lid



REINFORCED LID - TYPE 1 & 2



REINFORCED LID - TYPE 3



All dimensions are in millimeters (Inches) unless otherwise shown.

▲ ADDED SCHEDULE

REVISIONS	
NAME	DATE
▲	5-6-04

ILLINOIS DEPARTMENT OF TRANSPORTATION
 I-74 PROJECT STANDARD 602102-174
 DRAINAGE STRUCTURES
 TYPES 1, 2 & 3
 (Sheet 2 of 2)
 DATE 3/31/04
 DRAWN BY
 CHECKED BY