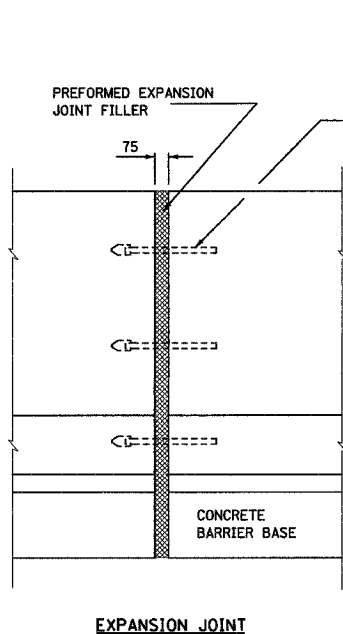
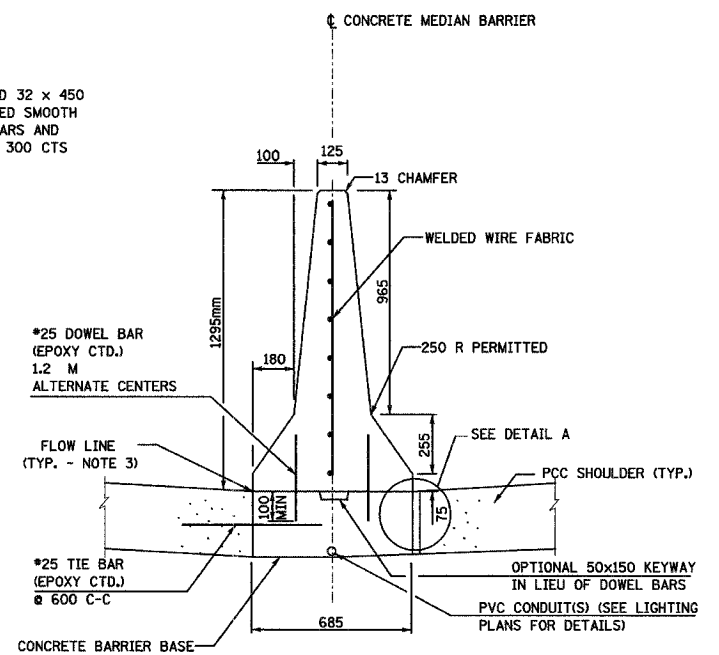


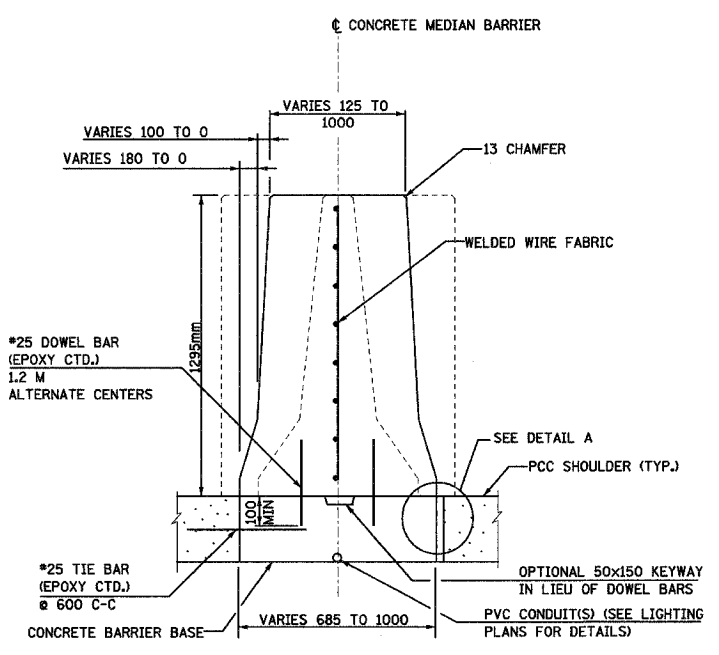
F.A. RTE.	SECTION	COUNTY	TOTAL SHEETS NO.	SHEET NO.
			1260	676
STA.		TO STA.		
FED. ROAD DIST. NO.		ILLINOIS FED. AID PROJECT		



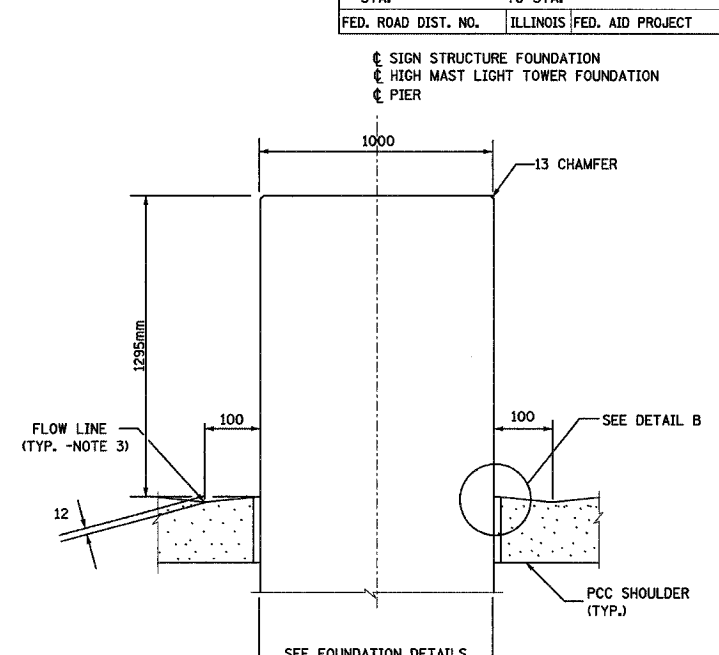
APPROVED 32 x 450 PRECOATED SMOOTH DOWEL BARS AND CAP ON 300 CTS



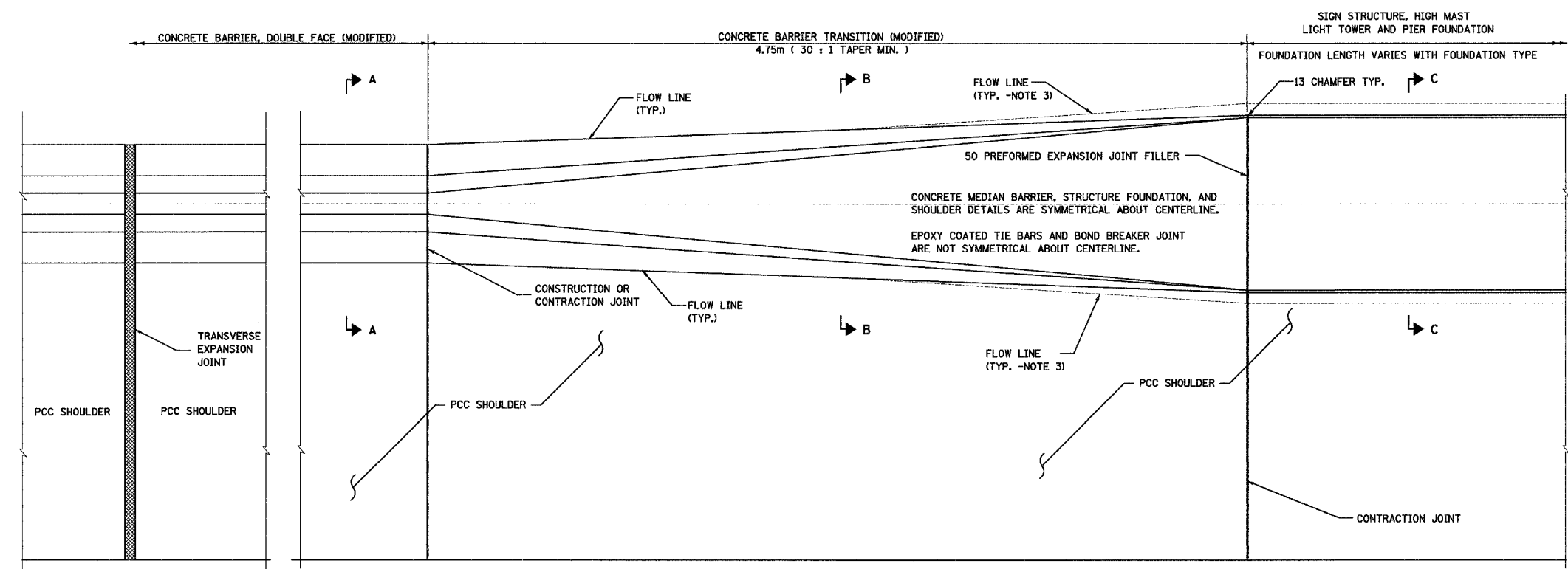
SECTION A-A



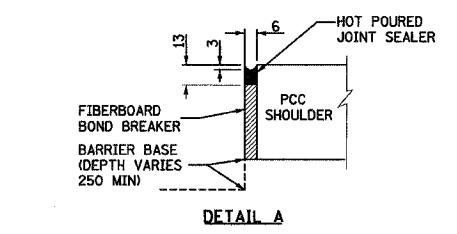
SECTION B-B



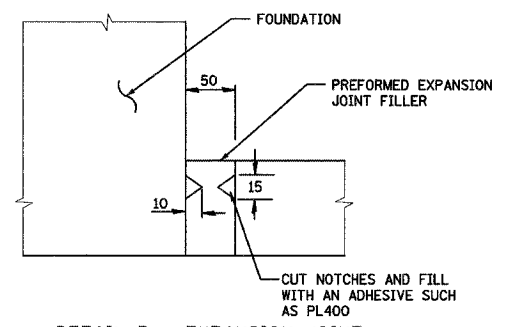
SECTION C-C



PLAN



DETAIL A



DETAIL B - EXPANSION JOINT

PREFORMED EXPANSION JOINT FILLER SHALL MEET THE REQUIREMENTS OF ARTICLE 1051.08 OR 1051.09. THE EXPANSION JOINT SHALL BE CONSTRUCTED IN ACCORDANCE WITH EXPANSION JOINT SEALING DETAIL SHOWN ON STANDARD 420001 AND AS SHOWN HEREIN.

ALL DIMENSIONS IN MILLIMETERS UNLESS SHOWN OTHERWISE

NOTES:

- FOR SHOULDER AND UNDERDRAIN DETAILS SEE I-74 PROJECT STDS 483001-I74 AND 601001-I74.
- TAPER LENGTH REQUIRED FOR TRANSITION TO 1 METER WIDTH WILL BE 4.75m.
- PROPOSED DRAINAGE PROFILE IN THE VICINITY OF SAG VERTICAL CURVES AND ALONG FLAT GRADES SHALL BE CAREFULLY CONTROLLED AND FIELD ADJUSTED IF NECESSARY TO ENSURE POSITIVE DRAINAGE AND AVOID PONDING.
- A 25 RADIUS CAN BE SUBSTITUTED FOR THE 13 CHAMFER AT THE TOP OF THE BARRIER WALL.
- REINFORCING BARS AND WELDED WIRE FABRIC SHALL BE SEATED IN THE FINAL POSITION PRIOR TO THE CONCRETE OPERATIONS. BARS CANNOT BE MUCKED INTO PLACE.
- AT FOUNDATION MEDIAN TRANSITIONS, PCC SHOULDER CONTRACTION JOINTS SHOULD BE ALIGNED WITH MEDIAN BARRIER CONTRACTION JOINTS AND EXPANSION JOINTS.
- DETAILS SHOWN FOR I-74 STANDARD BARRIER, DETAILS FOR VARIABLE HEIGHT BARRIER SIMILAR.
- TRANSVERSE EXPANSION JOINT THRU THE PAVEMENT AND THE SHOULDER SHALL BE EXTENDED THRU THE CONCRETE BARRIER

REVISIONS	
NAME	DATE
FLARED BASES	9/23/02
DOWEL BAR SPACING	2/11/03
REM DIFF BARRIER	6/20/03
EXPANSION JOINT	10/7/03

ILLINOIS DEPARTMENT OF TRANSPORTATION
I-74 PROJECT STANDARD 637001-I74
CONCRETE BARRIER, DOUBLE FACE (MODIFIED) & CONCRETE BARRIER TRANSITION (MODIFIED) FOR SIGN STRUCTURE, HIGH MAST LIGHT TOWER, AND PIER FOUNDATIONS
DRAWN BY
DATE 08/15/02
CHECKED BY