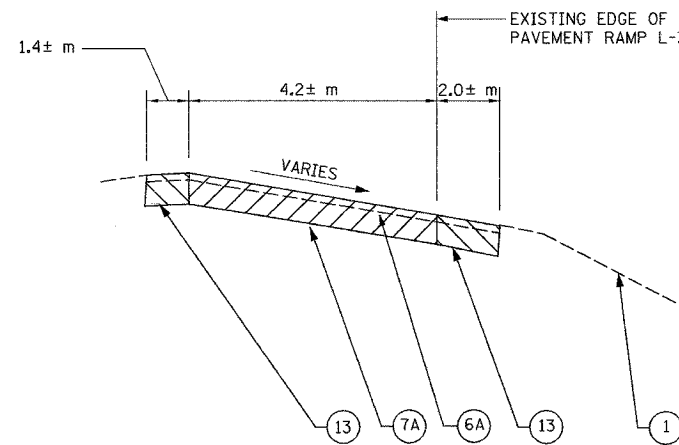


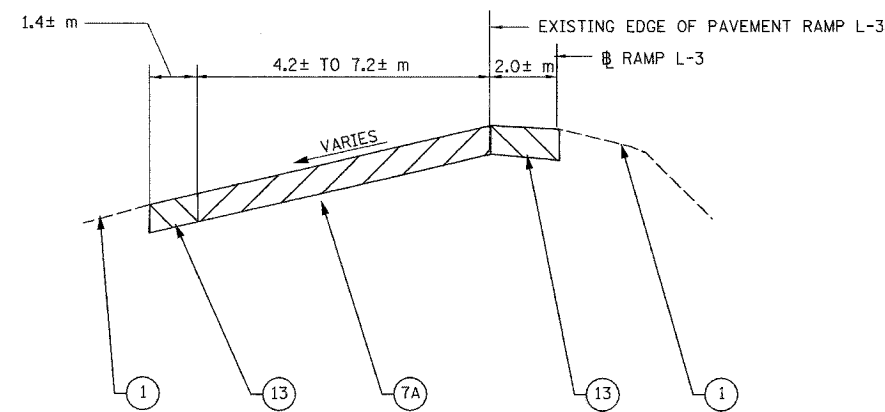
F.A.I. RTE.	SECTION	COUNTY	TOTAL SHEETS	SHEET NO.
74	*	TAZEWELL	1366	911
STA. 10+199.968		TO STA. 10+567.261		
FED. ROAD DIST. NO. 4 ILLINOIS FED. AID PROJECT				

• (90-11)R-2,90(13,14,14-1)R-1



F.A.I. ROUTE 74 RAMP L-3
TYPICAL 1
STA. 10+199.968 TO STA. 10+425.000

- LEGEND**
- ① EXISTING GROUND LINE
 - ⑥A EX BITUMINOUS RESURFACING 75 MM
 - ⑦A EX PCC PAVEMENT 250MM
 - ⑬ EX BITUMINOUS SHOULDERS



F.A.I. ROUTE 74 RAMP L-3
TYPICAL 2
STA. 10+425.000 TO STA. 10+567.261
FULL SUPER SHOWN
STA. 10+497.000 TO STA. 10+524.000

SHEET 7 OF 14

ALL STATIONS INDICATED ARE WESTBOUND STATIONING UNLESS OTHERWISE NOTED.



DAILY & ASSOCIATES,
ENGINEERS, INC.
PEORIA, ILLINOIS

REVISIONS	
NAME	DATE

ILLINOIS DEPARTMENT OF TRANSPORTATION
F.A.I. ROUTE 74 (I-74)
EXISTING TYPICAL SECTIONS
RAMP L-3
STA. 10+199.968 TO STA. 10+567.261
DRAWN BY
DATE 01/07/2005
CHECKED BY

01/07/2005 05:46:07 PM
G:\data\5589-74\dwg\contract\11\103-6a.dwg

CONTRACT 11- PLAN SET 2 OF 4 FINAL PLANS 01/05