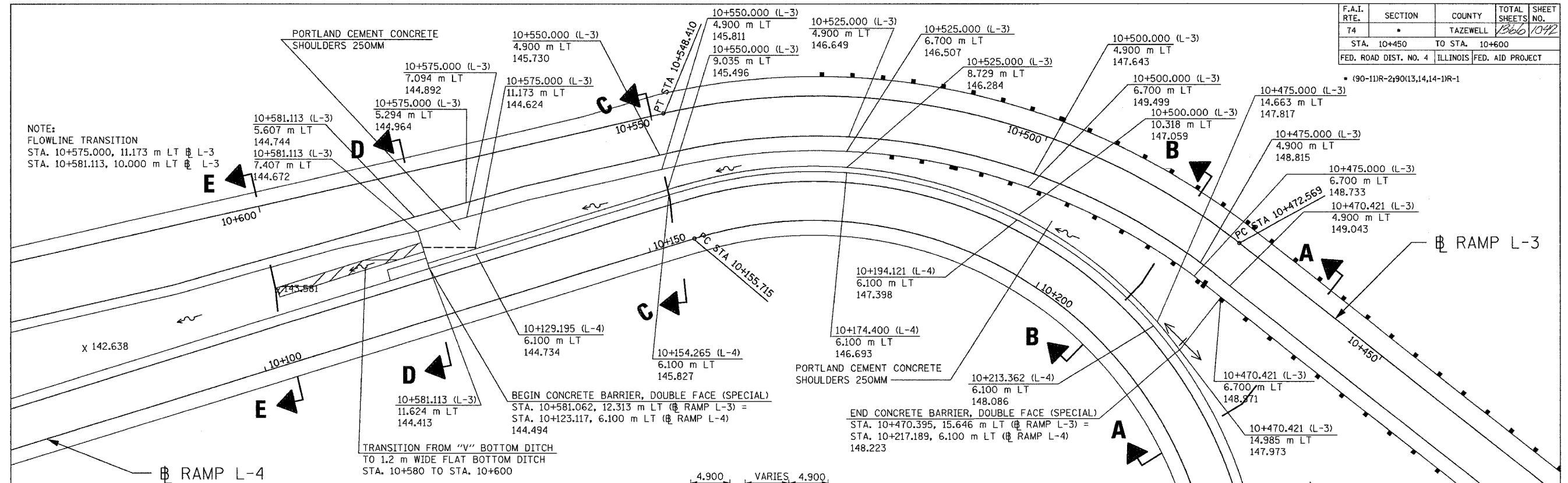
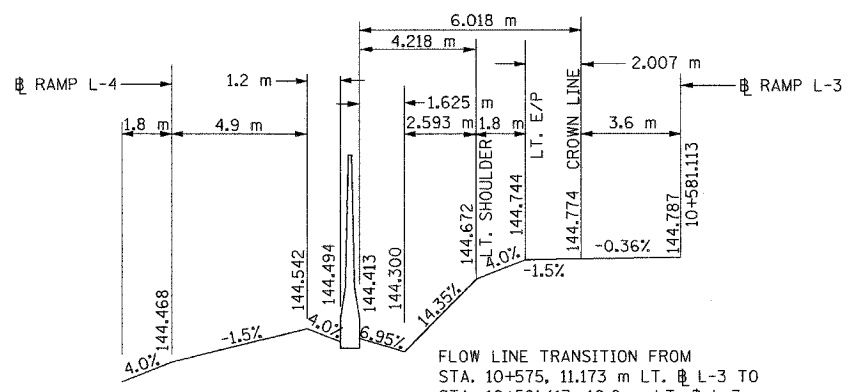
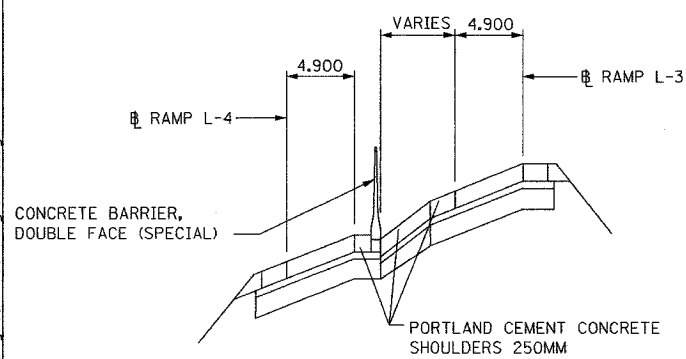
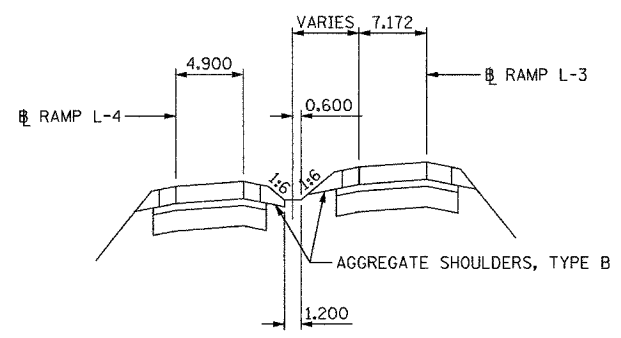
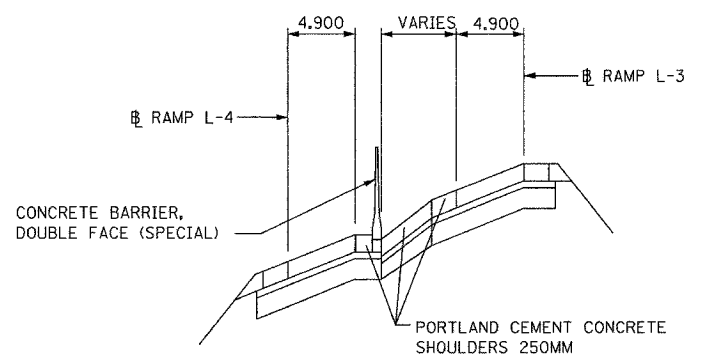
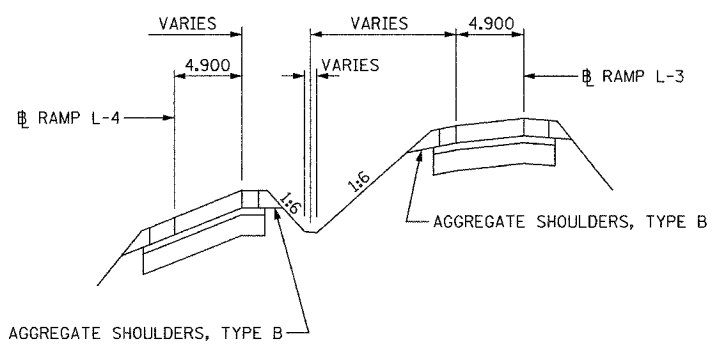


F.A.I. RTE.	SECTION	COUNTY	TOTAL SHEETS	SHEET NO.
74	*	TAZEWELL	1366	1042
STA. 10+450		TO STA. 10+600		
FED. ROAD DIST. NO. 4		ILLINOIS FED. AID PROJECT		



NOTE:
STATIONING: UTILIZE RAMP L-3 STATIONING ON RAMP L-3 SIDE OF BARRIER AND RAMP L-4 STATIONING ON RAMP L-4 SIDE OF BARRIER.
SEE MISCELLANEOUS DETAILS SUPERELEVATION TABLES FOR RAMP L-3 AND RAMP L-4 PAVEMENT GRADES AND ELEVATIONS.
SEE MISCELLANEOUS DETAILS CONCRETE BARRIER DETAILS RAMP L-3/L-4 FOR CONCRETE BARRIER AND ADJACENT SHOULDER INFORMATION.



ALL DIMENSIONS ARE IN METERS (m) EXCEPT AS NOTED

SHEET 3 OF 3

REVISIONS	
NAME	DATE

ILLINOIS DEPARTMENT OF TRANSPORTATION

GORE AREA DETAILS
RAMP L-3/L-4

DATE 01/07/2005

DRAWN BY
CHECKED BY

D&A
DAILY & ASSOCIATES,
ENGINEERS, INC.
PEORIA, ILLINOIS

01/07/2005 01:22:00 PM
c:\data\5589-74\dwg\contract\11\1107-6a.dwg

CONTRACT 11: PLAN SET 2 OF 4 FINAL PLANS 01/05