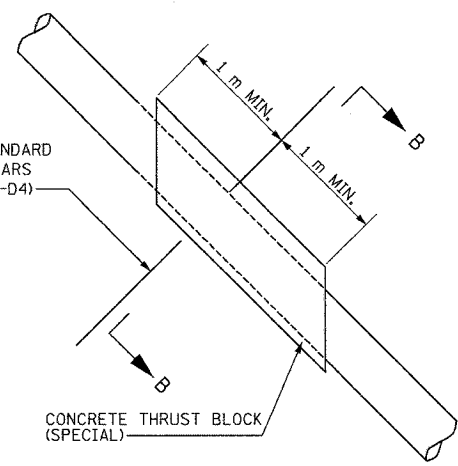
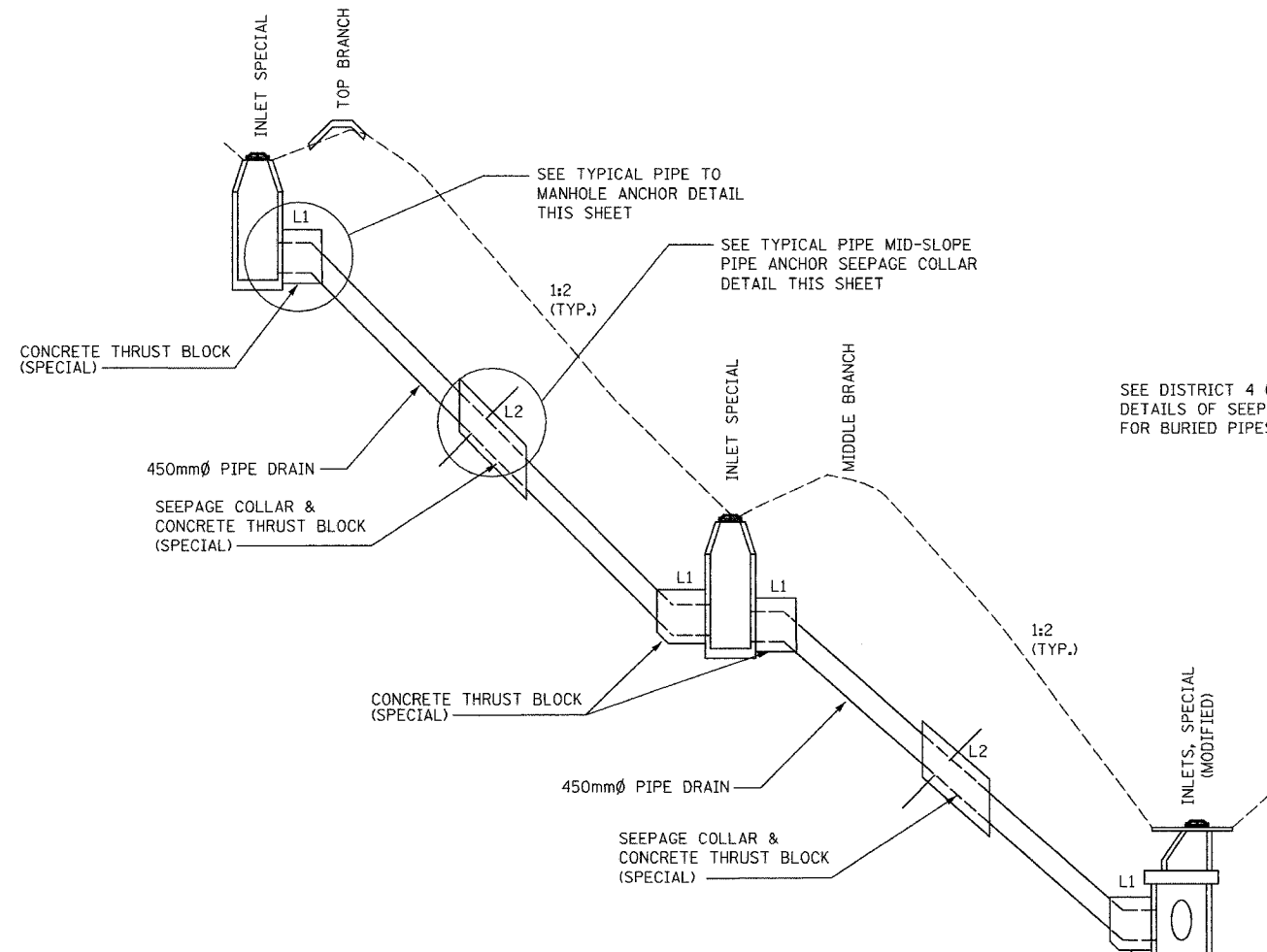
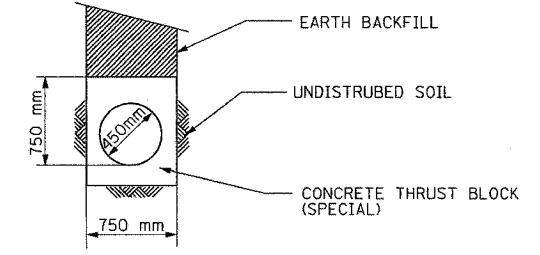


F.A.I. RTE.	SECTION	COUNTY	TOTAL SHEETS	SHEET NO.
74	•	TAZEWELL	1366	1055
STA.	TO STA.			
FED. ROAD DIST. NO. 4	ILLINOIS FED. AID PROJECT			

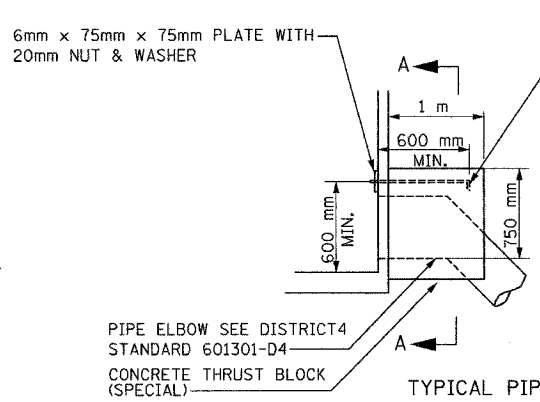
• (90-11)R-2;90(13,14,14-1)R-1



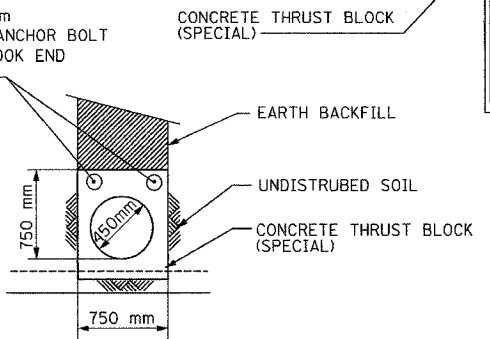
TYPICAL MID-SLOPE THRUST BLOCK & SEEPAGE COLLAR DETAIL



SECTION B-B



TYPICAL PIPE TO MANHOLE ANCHOR DETAIL



SECTION A-A

CONCRETE THRUST BLOCK (SPECIAL) BILL OF MATERIALS *

PIPE DIA	CLASS SI CONCRETE m ³	LOCATION
450 mm	0.4	L1
450 mm	1.0	L2

* MINIMUM VOLUME

THE CONTRACT UNIT PRICE EACH FOR CONCRETE THRUST BLOCK SHALL INCLUDE THE COST OF EXCAVATION, FORMING, ANCHOR BOLTS (WHERE APPLICABLE), CLASS SI CONCRETE, AND COMPACTED BACKFILL.

DA & A
DAILY & ASSOCIATES, ENGINEERS, INC.
PEORIA, ILLINOIS

REVISIONS	
NAME	DATE

SHEET 12 OF 12

ALL STATIONS INDICATED ARE WESTBOUND STATIONING UNLESS OTHERWISE NOTED.

ILLINOIS DEPARTMENT OF TRANSPORTATION

DRAINAGE DETAIL BENCH DRAINS

DATE 01/07/2005

DRAWN BY

CHECKED BY

01/07/2005 01:21:16 PM
D:\addto\55897-14\dwg\contract\11\cd\110-6a.dgn

CONTRACT 11- PLAN SET 2 OF 4 FINAL PLANS 01/05