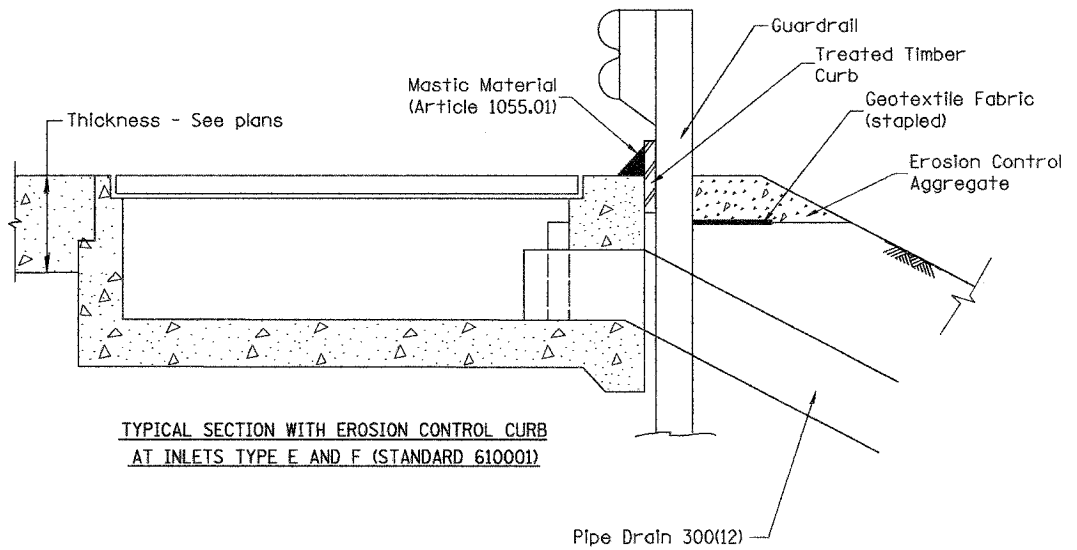
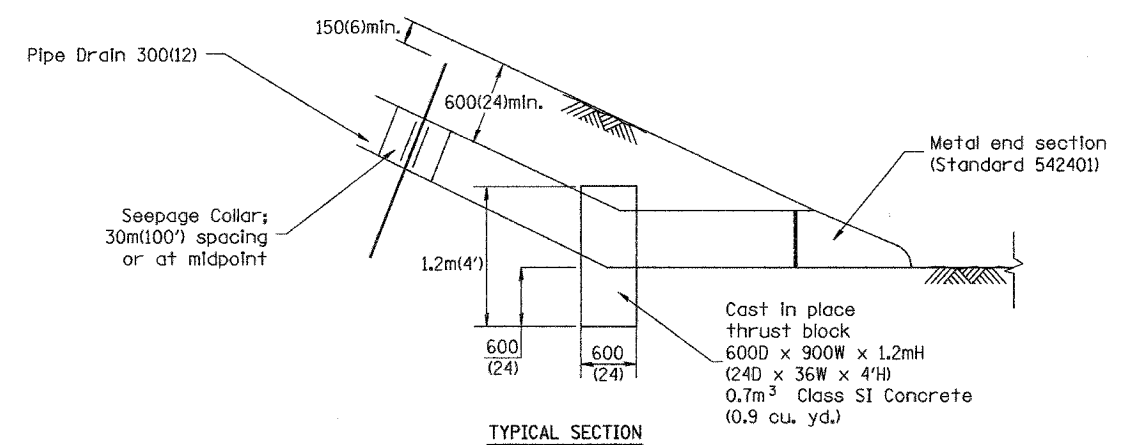


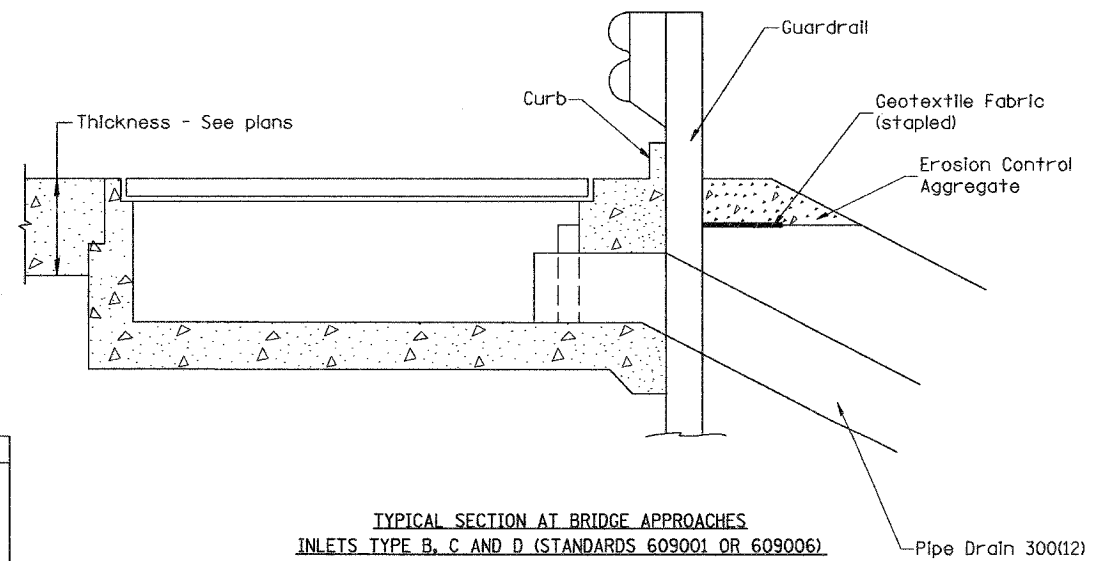
F.A. RTE.	SECTION	COUNTY	TOTAL SHEETS	SHEET NO.
			1366	1668
TO STA.				
FED. ROAD DIST. NO.	ILLINOIS	FED. AID PROJECT		



TYPICAL SECTION WITH EROSION CONTROL CURB AT INLETS TYPE E AND F (STANDARD 610001)



TYPICAL SECTION



TYPICAL SECTION AT BRIDGE APPROACHES INLETS TYPE B, C AND D (STANDARDS 609001 OR 609006)

DESIGNER NOTE:
 1. INCLUDE STATE STANDARD 542401.
 2. INCLUDE STATE STANDARDS 609001, 609006 OR 610001, IF APPLICABLE
 3. INCLUDE DISTRICT CADD STANDARDS FOR "GUARDRAIL EROSION CONTROL TREATMENTS", "SEEPAGE COLLARS FOR BURIED PIPES", AND "PIPE ELBOW"

GENERAL NOTES

- The material for Pipe Drains shall be bituminous coated galvanized corrugated steel culvert pipe or bituminous coated corrugated aluminum alloy pipe in accordance with Article 601.02(f) or 601.02(i).
- An approved mastic material (Article 1055.01) shall be applied to the inside of the connecting bands.

QUANTITIES	
CALC. BY: _____	DATE: _____
CHECKED BY: _____	DATE: _____
QUANTITY CALCULATIONS ARE ON FILE AT THE DISTRICT 4 OFFICE; BUREAU OF PROJECT IMPLEMENTATION; DOCUMENTATION SECTION	

DGN-ONLY

DATE	REVISIONS	BY
1-1-97	RENUM. H-1.04, NEW REVISION BOX, REVISED TITLE BOX, REVISED DESIGNER NOTES, ADDED QUANTITY CALCULATION BOX	T.P.

SHEET 5 OF 17

All dimensions are in millimeters (inches) unless otherwise noted.

ILLINOIS DEPARTMENT OF TRANSPORTATION
DISTRICT CADD STANDARD

SLOPE DRAIN DETAILS FOR BURIED PIPES

CADD STD. NO. 601101-D4
NOT DRAWN TO SCALE
DRAWN BY CADD

601101-D4

CONTRACT # PLAN SET 2 OF 4 FINAL PLANS 1/05