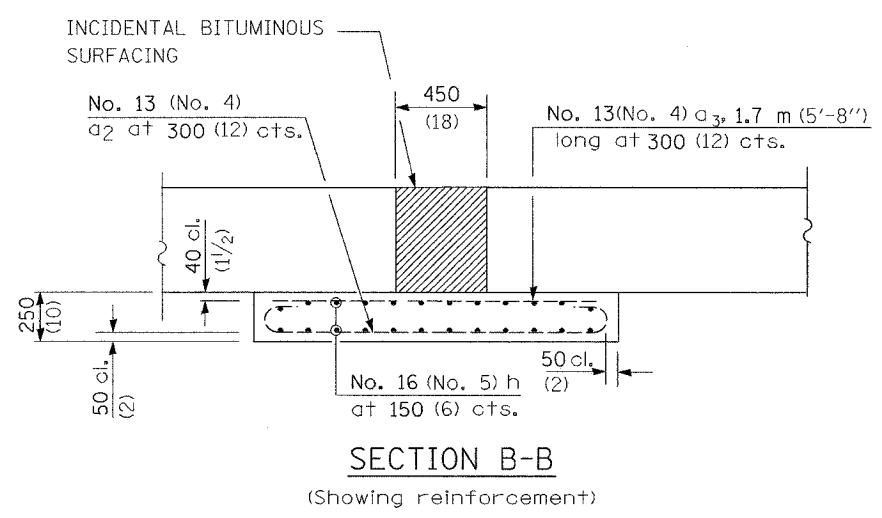
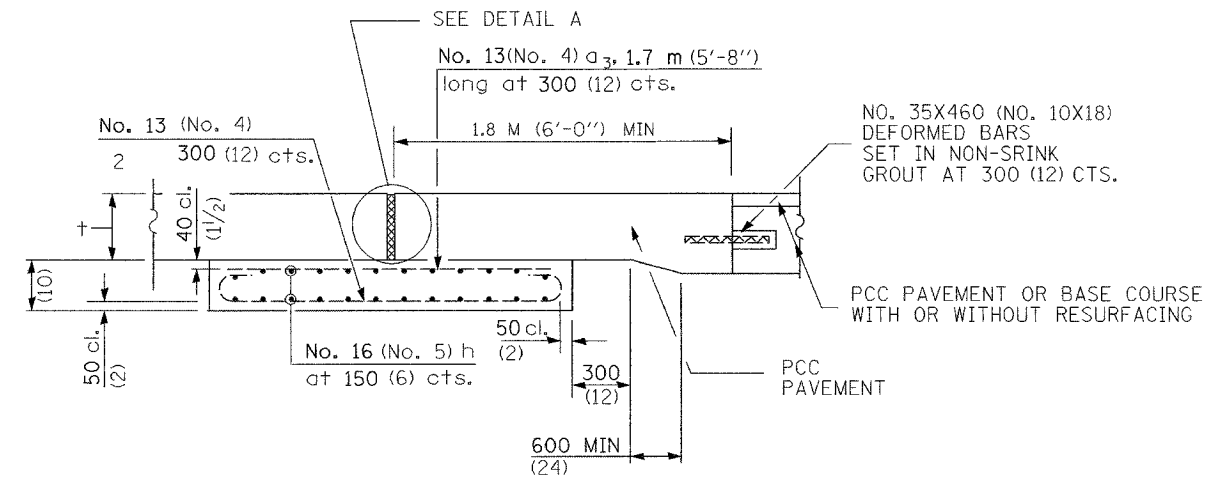
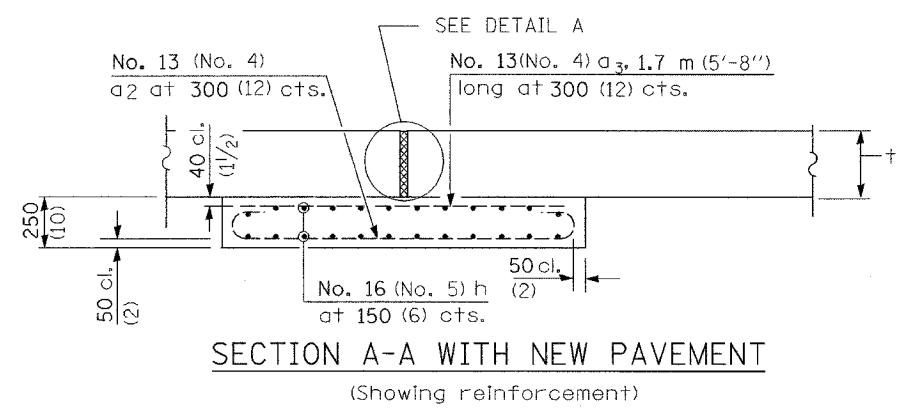
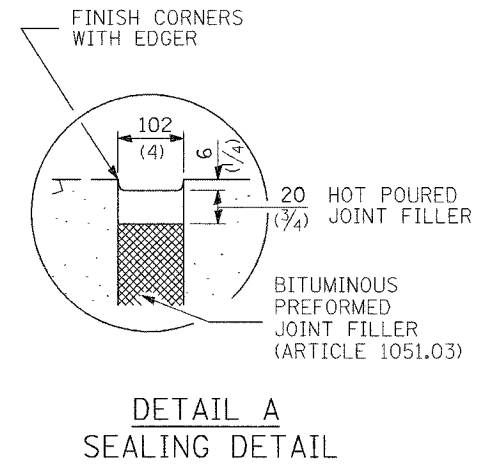
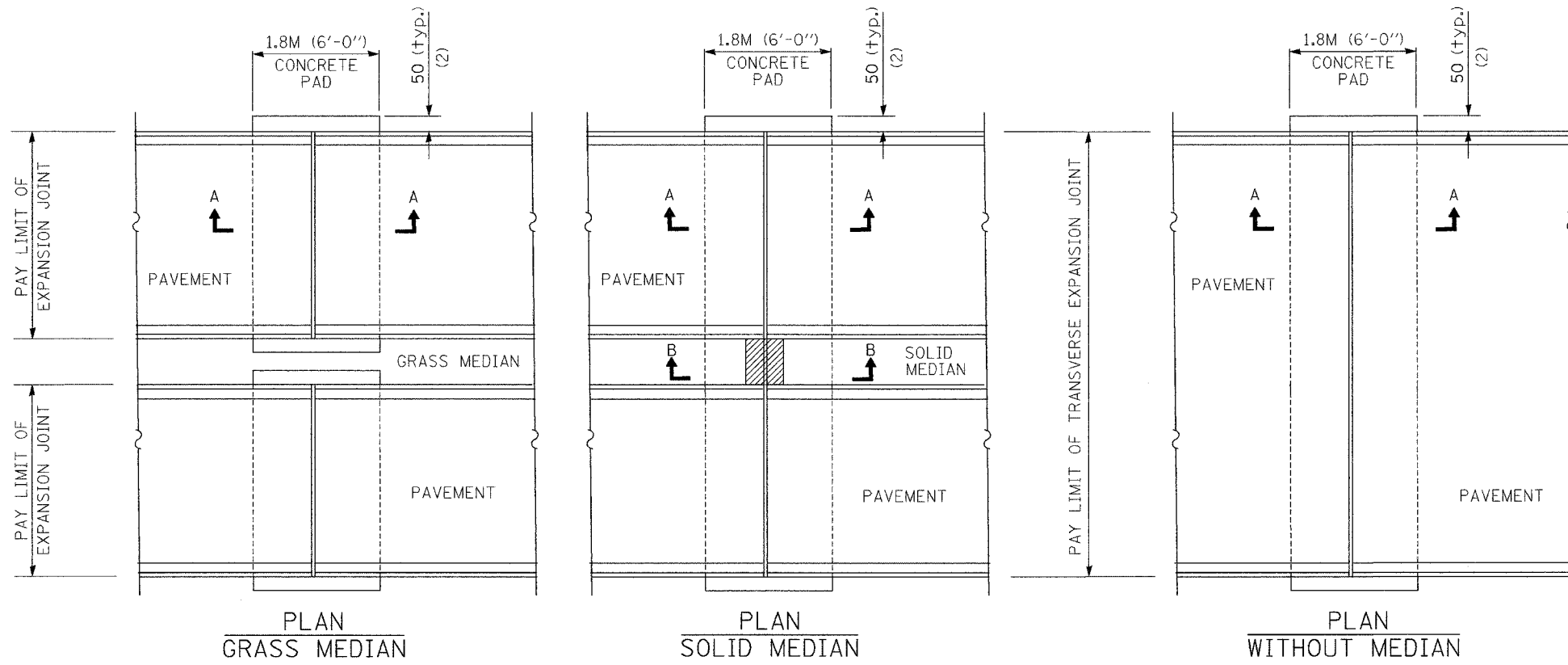


F.A. RTE.	SECTION	COUNTY	TOTAL SHEETS	SHEET NO.
			2366	1081
STA.		TO STA.		
FED. ROAD DIST. NO.		ILLINOIS FED. AID PROJECT		



**GENERAL NOTES**

THICKNESS-""+""= THICKNESS OF PAVEMENT  
 SEE PLANS FOR LOCATION OF EXPANSION JOINTS  
 All dimensions are in millimeters (inches) unless otherwise shown.

REVISIONS		ILLINOIS DEPARTMENT OF TRANSPORTATION I74 PROJECT STANDARD 420001-I74 PCC PAVEMENT EXPANSION JOINT, 100 MM
NAME	DATE	
PRE	11/4/02	DRAWN BY CHECKED BY
H.S.	2004 9/26/03	
DATE 10/18/02		

CONTRACT I74 PLAN SET 3 OF 4 FINAL PLANS I/05