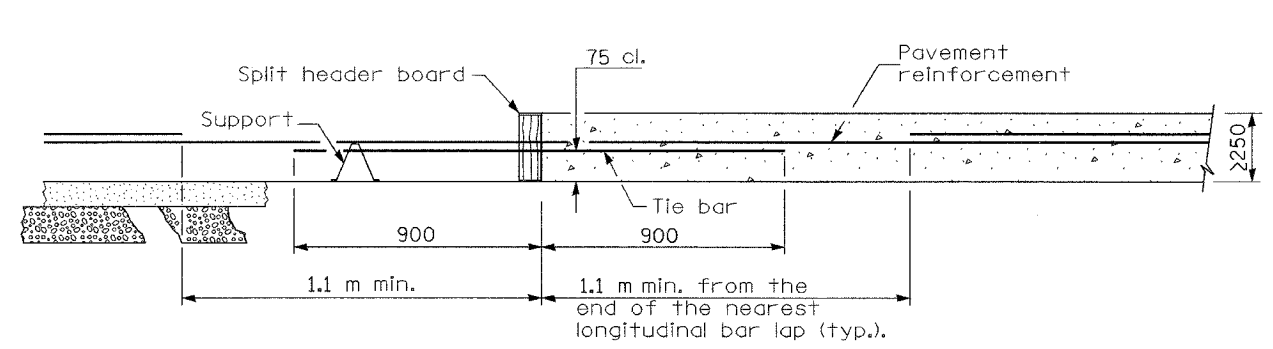
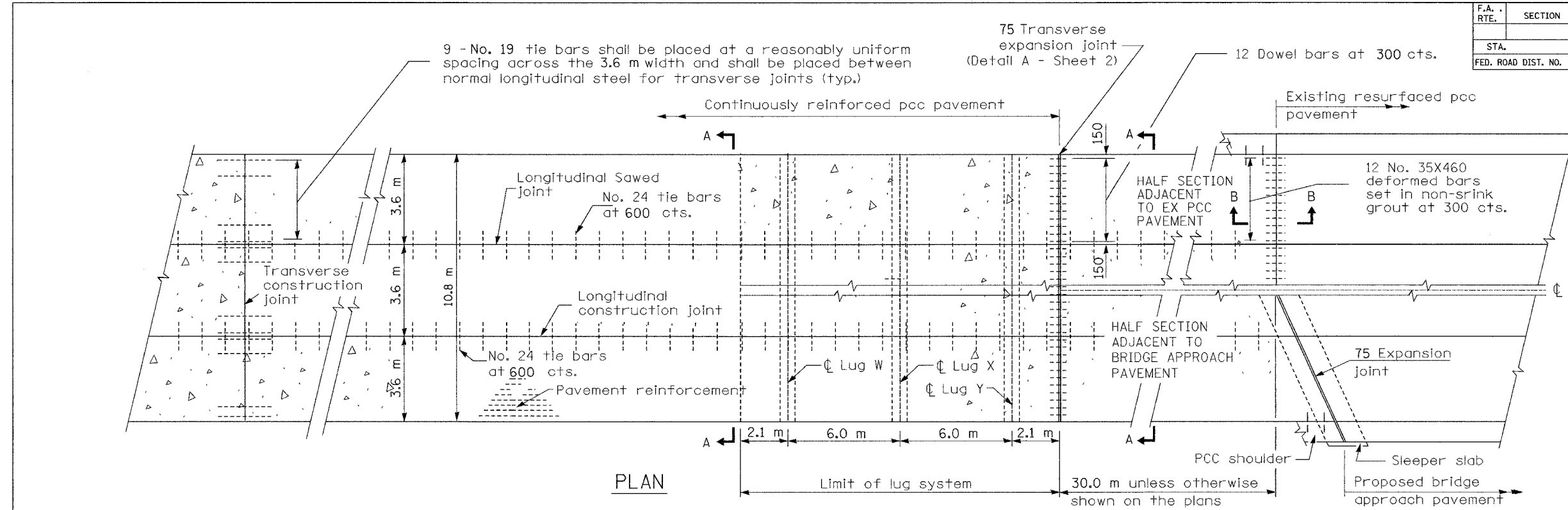
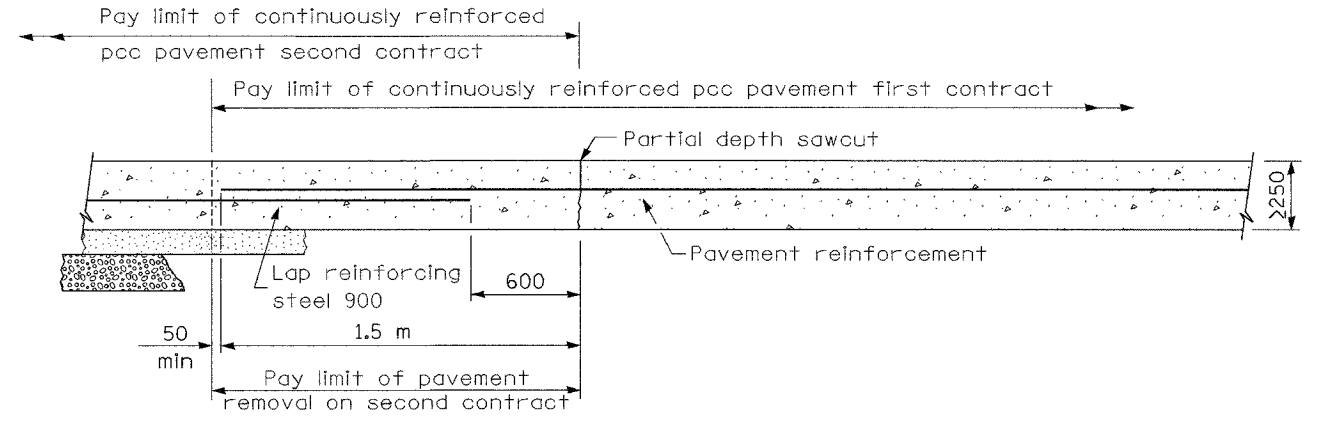


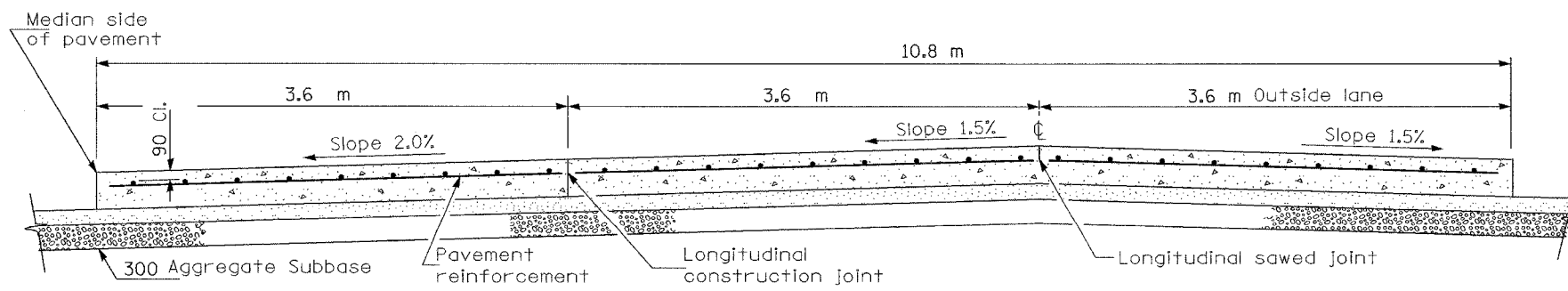
F.A. RTE.	SECTION	COUNTY	TOTAL SHEETS NO.	SHEET NO.
			1366	1087
STA.		TO STA.		
FED. ROAD DIST. NO.		ILLINOIS FED. AID PROJECT		



**TRANSVERSE CONSTRUCTION JOINT**  
(Pavement Constructed in the Same Contract)



**TRANSVERSE TERMINAL JOINT**  
(Continuation of a Pavement Constructed in a Previous Contract)



**SECTION A-A**  
(TYPICAL 3-LANE, 1-WAY WITH SHOULDERS)

**GENERAL NOTES**

See Project Standard 421001-I74 for details of I-74 pavement reinforcement.

Detail of joints as shown on Standard 420001 except as otherwise shown herein.

All dimensions are in millimeters unless otherwise shown.

REVISIONS	
NAME	DATE
INC. COMMENTS	3/7/02
REM. ENGL.	3/22/02
H.S. 2004	9/30/03
NOTE - 30M	10/6/03
SEC B-B & TERM JT	11/4/04

ILLINOIS DEPARTMENT OF TRANSPORTATION  
I-74 PROJECT STANDARD 421206-I74  
10.8 m  
CRC PAVEMENT  
(WITH LUG SYSTEM) (Sheet 1 of 2)  
DRAWN BY  
DATE 09/21/01  
CHECKED BY