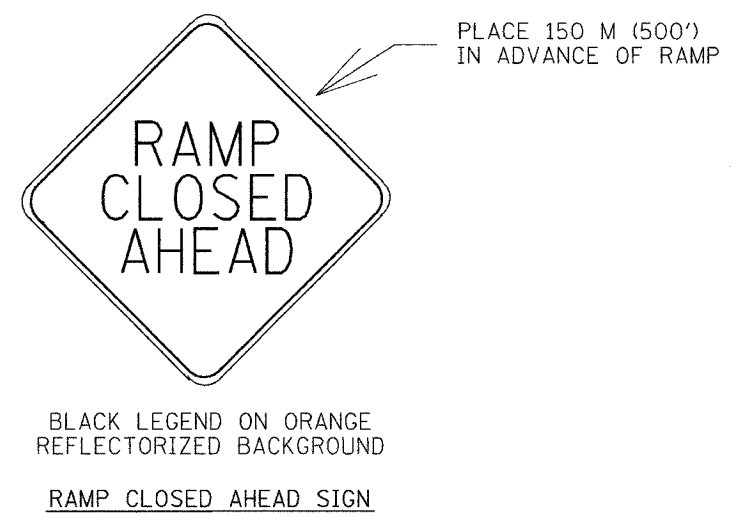
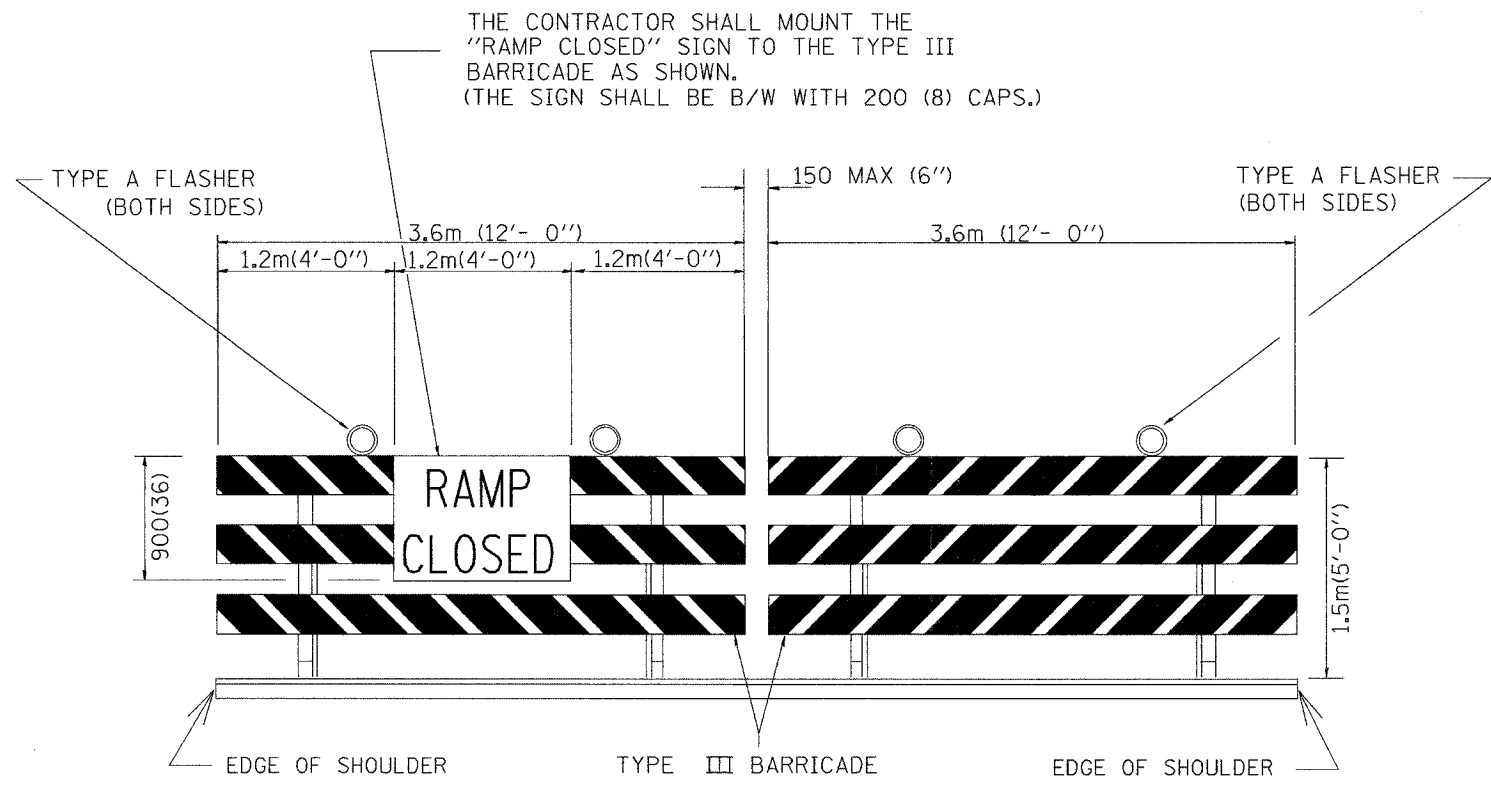
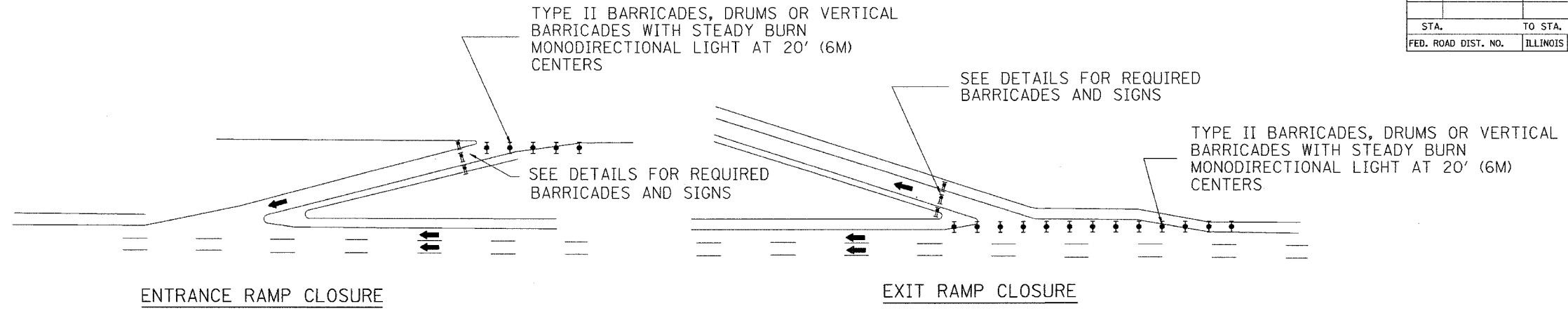


F.A. RTE.	SECTION	COUNTY	TOTAL SHEETS	SHEET NO.
			1366	1094
STA.		TO STA.		
FED. ROAD DIST. NO.		ILLINOIS FED. AID PROJECT		



DETAIL FOR REQUIRED BARRICADES & SIGNS

NOTES:

REFLECTORIZED STRIPING MAY BE OMITTED ON THE BACK SIDE OF THE BARRICADES. IF A TYPE III BARRICADE WITH AN ATTACHED SIGN PANEL WHICH MEETS NCHRP 350 IS NOT AVAILABLE, THE SIGN MAY BE MOUNTED ON AN NCHRP 350 TEMPORARY SIGN SUPPORT DIRECTLY IN FRONT OF THE BARRICADE.

CONES MAY BE SUBSTITUTED FOR TYPE I AND TYPE II BARRICADES AND DRUMS DURING DAY OPERATIONS. CONES SHALL BE A MINIMUM OF 700 (28') IN HEIGHT.

SHEET 14 OF 14
All dimensions are in millimeters (inches) unless otherwise noted.

REVISIONS		ILLINOIS DEPARTMENT OF TRANSPORTATION I-74 PROJECT STANDARD 701411-I74 ENTRANCE AND EXIT RAMP CLOSURE DETAILS
NAME	DATE	
HS 04-2004	4/27/04	DRAWN BY CHECKED BY DATE 10/9/01

CONTRACT I: PLAN SET 3 OF 4 FINAL PLANS 1/05