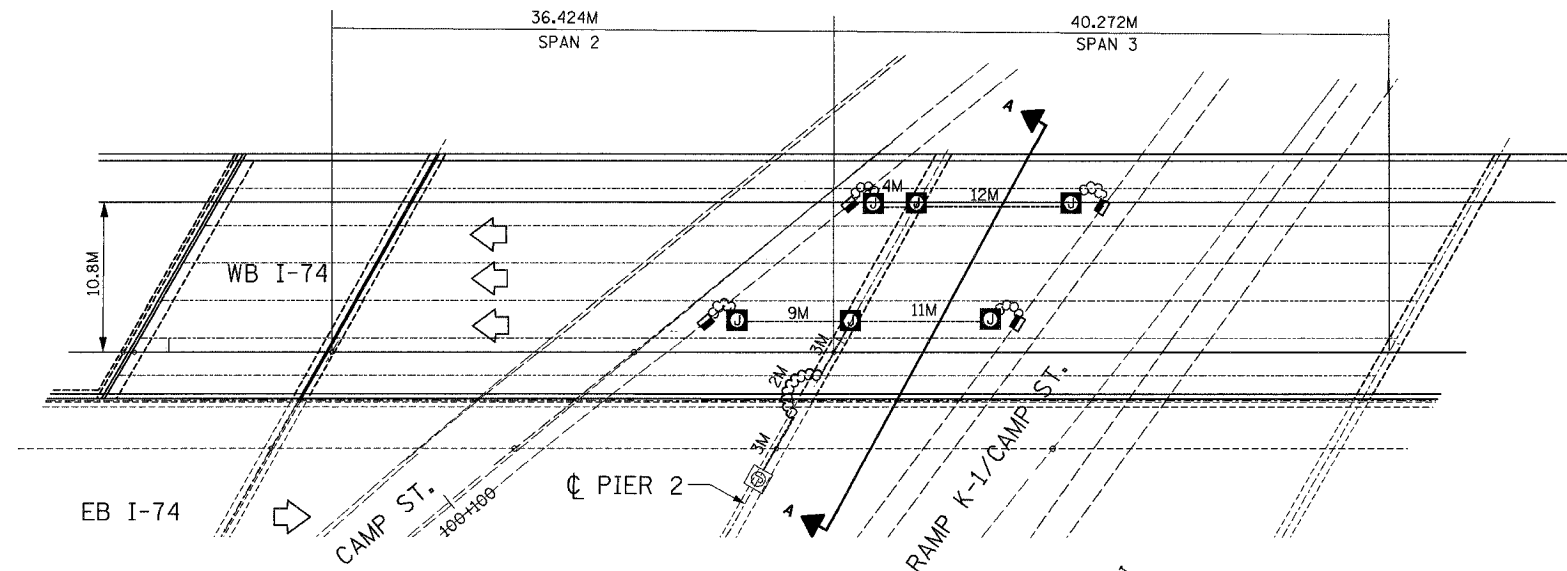


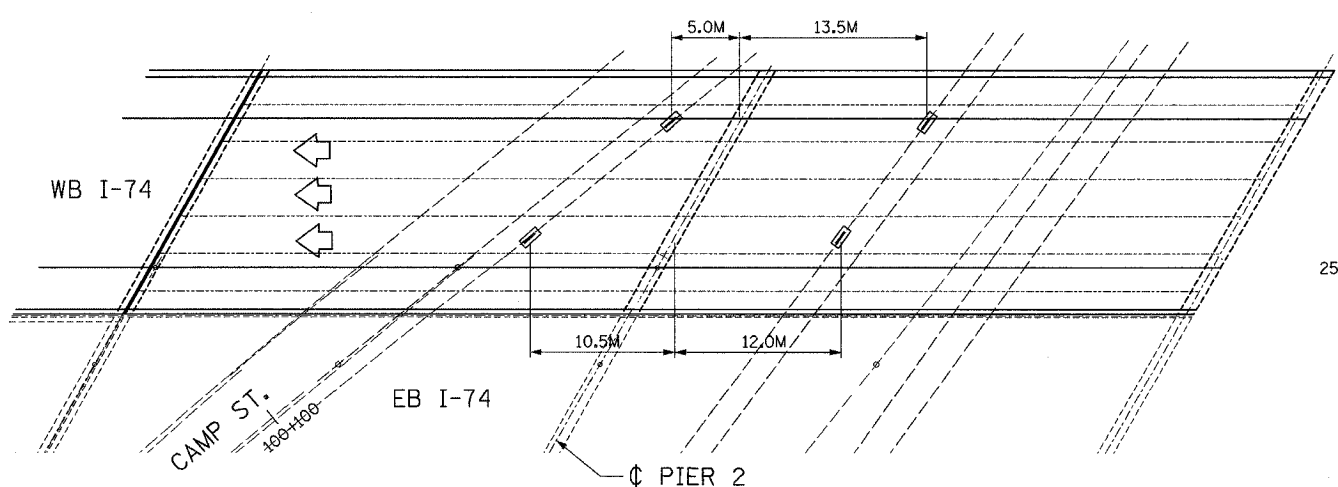
F.A.I. RTE.	SECTION	COUNTY	TOTAL SHEETS	SHEET NO.
74		TAZEWELL	1366	1227
STA.	TO STA.			
FED. ROAD DIST. NO.	ILLINOIS	FED. AID PROJECT		
	* (90-11R-2)90013, 14, 14-1R-1			
CONTRACT NO. 68201				

STREET LIGHTING - BILL OF MATERIAL - THIS SHEET

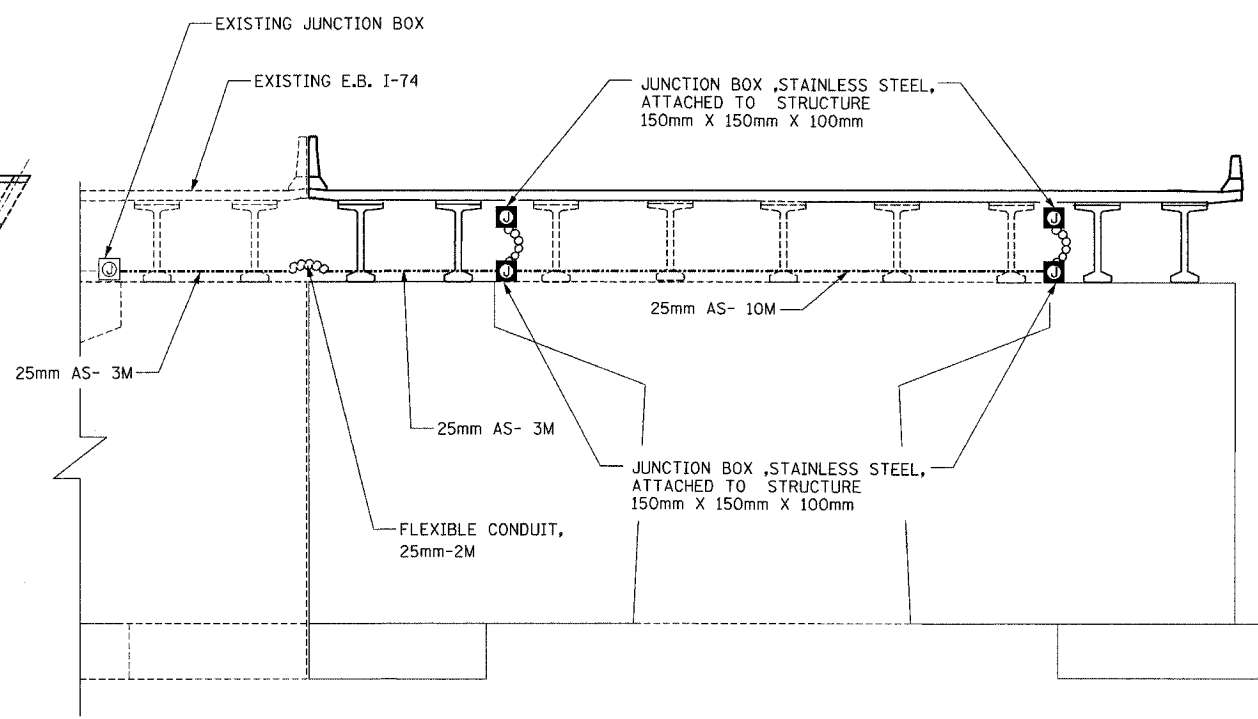
PAY ITEM	UNIT	QTY.
CONDUIT ATTACHED TO STRUCTURE, 25mm DIA., GALVANIZED STEEL	METER	52
JUNCTION BOX, STAINLESS STEEL, ATTACHED TO STRUCTURE 150mm X 150mm X 100mm	EACH	8
UNDERPASS LUMINAIRE, (INSTALL ONLY)	EACH	4



PLAN VIEW
ATTACHED CONDUIT & JUNCTION BOXES



PLAN VIEW
EMBEDDED CONCRETE INSERTS



SECTION A-A
ELEVATION VIEW
PIER 2

- NOTES:
- FOR WIRING PLAN SEE LIGHTING SHEET 20.
 - ALL EMBEDDED CONDUIT SHALL BE 50mm, PVC - SCH. 40, UNLESS OTHERWISE INDICATED.
 - ALL JUNCTION BOXES ATTACHED TO STRUCTURE SHALL BE STAINLESS STEEL, 150mmx150mmx100mm, UNLESS OTHERWISE INDICATED.
 - THE COST OF THE CONCRETE INSERTS SHALL BE INCLUDED IN THE PAY ITEM FOR "CONDUIT ATTACHED TO STRUCTURE."
 - THE COST OF THE LIQUID-TIGHT CONDUIT SHALL BE INCLUDED IN THE PAY ITEM FOR "CONDUIT ATTACHED TO STRUCTURE."
 - CONDUIT CROSSING SHALL BE ATTACHED TO PIER NEXT TO BEARINGS.

- LEGEND
- PROPOSED JUNCTION BOX
 - PROPOSED ATTACHED CONDUIT, 25mm DIA., GALVANIZED STEEL
 - PROPOSED EMBEDDED CONDUIT, 50mm DIA. PVC SCHEDULE 40
 - PROPOSED LIQUID-TIGHT FLEXIBLE CONDUIT, 25mm
 - EMBEDDED CONCRETE INSERT (SEE DETAIL SHEET 33)
 - UNDERPASS LUMINAIRE, HPSV, 100 WATT, 240 VOLT (SEE DETAIL SHEET 33).

REVISIONS	
NAME	DATE

LIGHTING SHEET 17 OF 41

ILLINOIS DEPARTMENT OF TRANSPORTATION

PROPOSED BRIDGE LIGHTING PLAN
W.B. I-74 OVER CAMP ST

DATE: 12/20/04

DRAWN BY GHT
CHECKED BY MKR

ab alfred benesch & company
CONSULTING ENGINEERS
205 NORTH MICHIGAN AVENUE, CHICAGO, ILLINOIS 60601

12/20/2004 12:44:23 PM m:\proj\1557\3\lighting\74_contract\111101\74tbl7.dwg