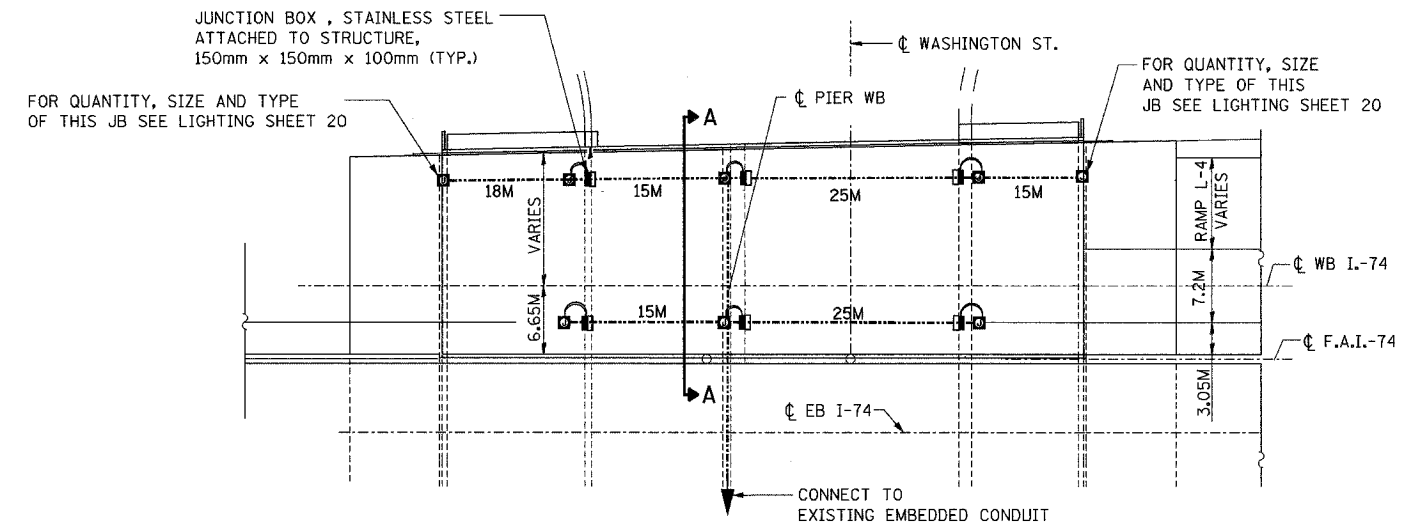
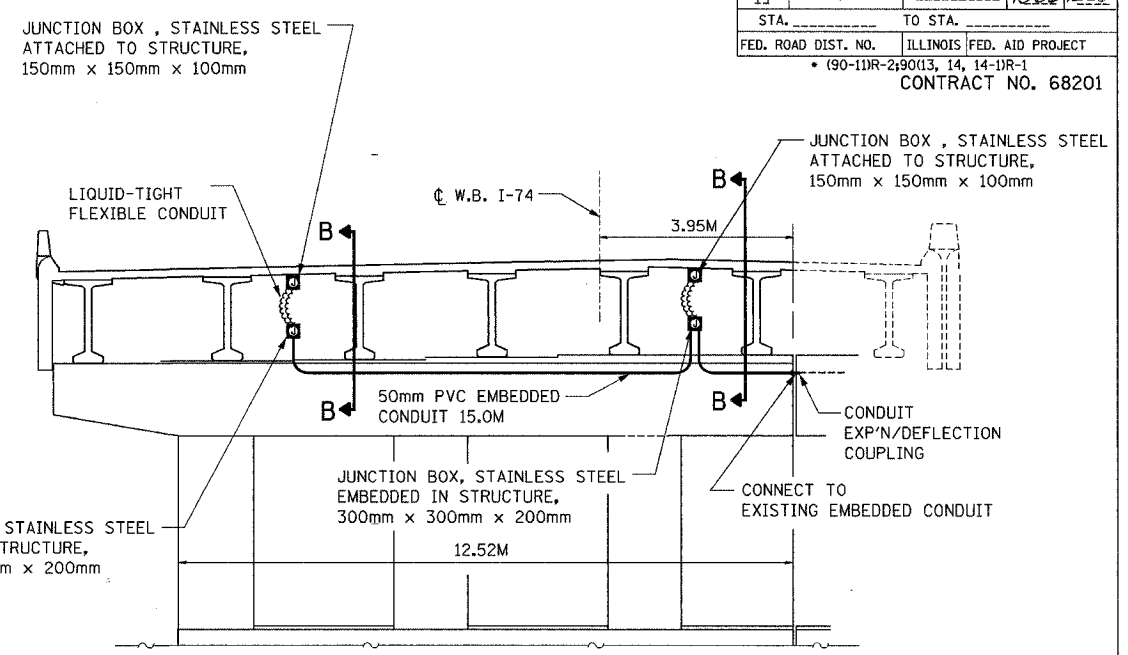


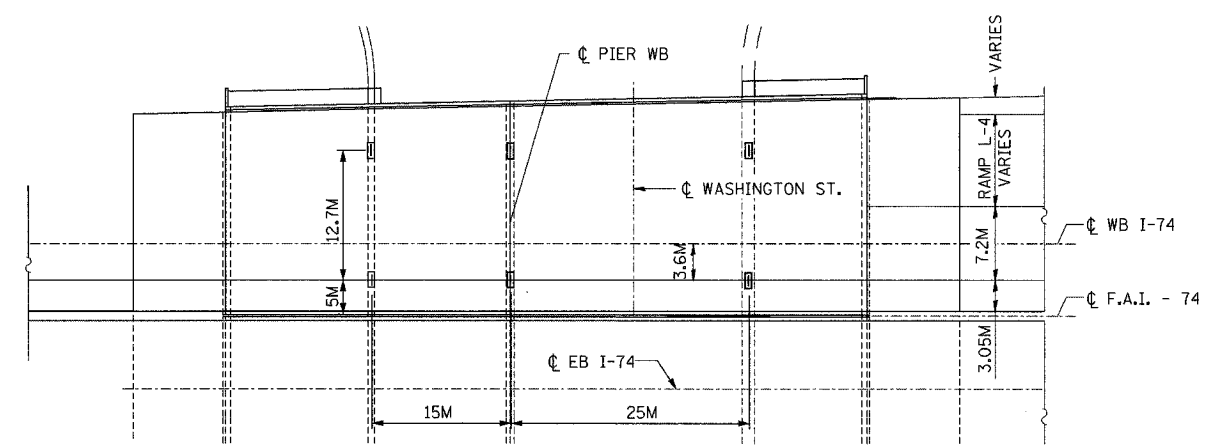
F.A.I. RTE. 74	SECTION	COUNTY LAZEWELL	TOTAL SHEETS 1366	SHEET NO. 1220
STA.	TO STA.		ILLINOIS FED. AID PROJECT	
FED. ROAD DIST. NO.		CONTRACT NO. 68201		



PLAN VIEW
ATTACHED CONDUIT & JUNCTION BOXES



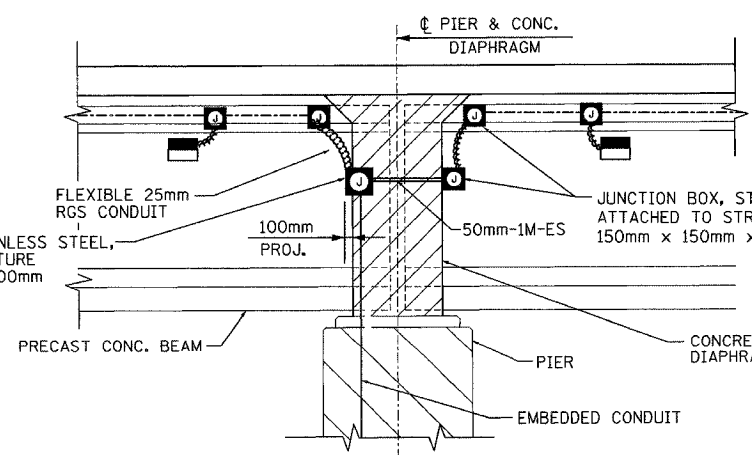
SECTION A-A



PLAN VIEW
EMBEDDED CONCRETE INSERTS

STREET LIGHTING - BILL OF MATERIAL - THIS SHEET

PAY ITEM	UNIT	QTY.
CONDUIT ATTACHED TO STRUCTURE, 25mm DIA., GALVANIZED STEEL	METER	113.0
CONDUIT EMBEDDED IN STRUCTURE, 50mm DIA. PVC	METER	17.0
JUNCTION BOX, STAINLESS STEEL, ATTACHED TO STRUCTURE, 150MM X 150MM X 100MM	EACH	12
JUNCTION BOX, STAINLESS STEEL, EMBEDDED IN STRUCTURE, 300mm X 300mm X 200mm	EACH	2
UNDERPASS LUMINAIRE, (INSTALL ONLY)	EACH	6



SECTION B-B

LEGEND

- PROPOSED JUNCTION BOX
- PROPOSED ATTACHED CONDUIT, 25mm DIA., GALVANIZED STEEL
- PROPOSED EMBEDDED CONDUIT, 50mm DIA. PVC SCHEDULE 40
- PROPOSED LIQUID-TIGHT FLEXIBLE CONDUIT, 25mm
- EMBEDDED CONCRETE INSERT (SEE DETAIL SHEET 33)
- UNDERPASS LUMINAIRE, HPSV, 100 WATT, 240 VOLT (SEE DETAIL SHEET 33).

- NOTES:
- FOR WIRING PLAN SEE LIGHTING SHEET 21.
 - ALL EMBEDDED CONDUIT SHALL BE 50mm, PVC - SCH. 40, UNLESS OTHERWISE INDICATED.
 - ALL JUNCTION BOXES ATTACHED TO STRUCTURE SHALL BE STAINLESS STEEL, 150mmx150mmx100mm, UNLESS OTHERWISE INDICATED.
 - THE COST OF THE CONCRETE INSERTS SHALL BE INCLUDED IN THE PAY ITEM FOR "CONDUIT ATTACHED TO STRUCTURE."
 - THE COST OF THE LIQUID-TIGHT CONDUIT SHALL BE INCLUDED IN THE PAY ITEM FOR "CONDUIT ATTACHED TO STRUCTURE."
 - FOR SECTION B-B, SEE THIS SHEET.

REVISIONS	
NAME	DATE

LIGHTING SHEET 18 OF 41

ILLINOIS DEPARTMENT OF TRANSPORTATION

BRIDGE LIGHTING PLAN
W.B. I-74 OVER WASHINGTON ST.

DATE: 12/20/04

DRAWN BY DJK
CHECKED BY MKR

ab **alfred benesch & company**
CONSULTING ENGINEERS
205 NORTH MICHIGAN AVENUE, CHICAGO, ILLINOIS 60601

m:\p013573\contract7a\contract\ill017abr\wash01.dgn 12/20/2004 12:41:24 PM