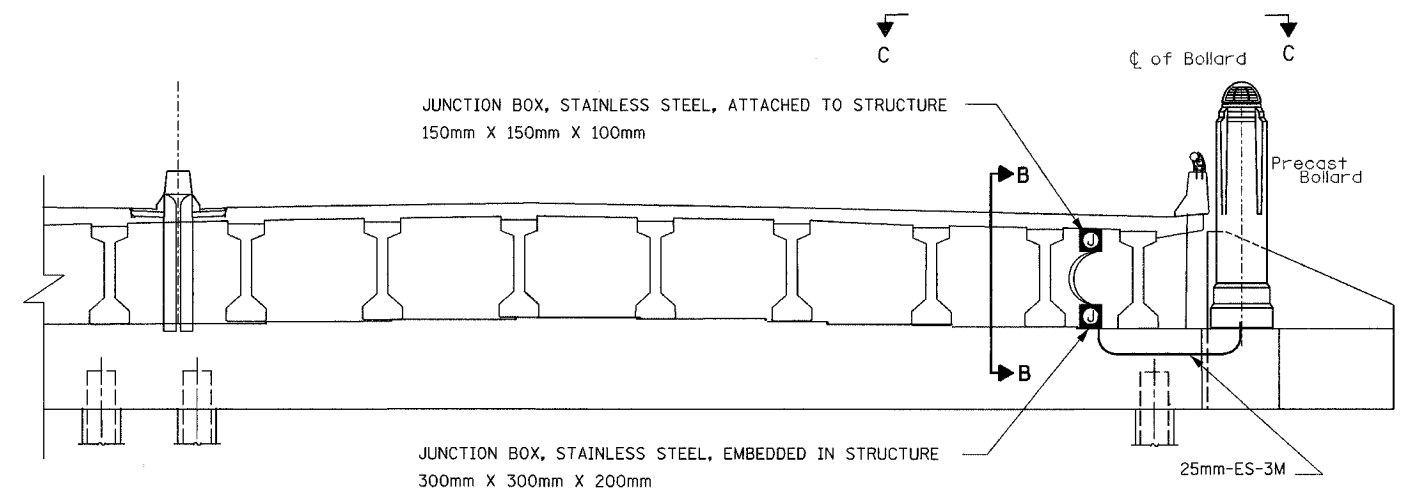
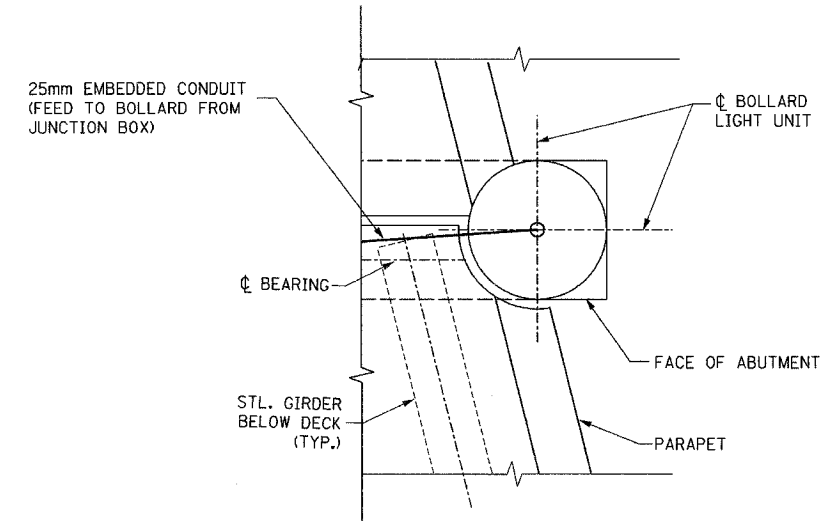


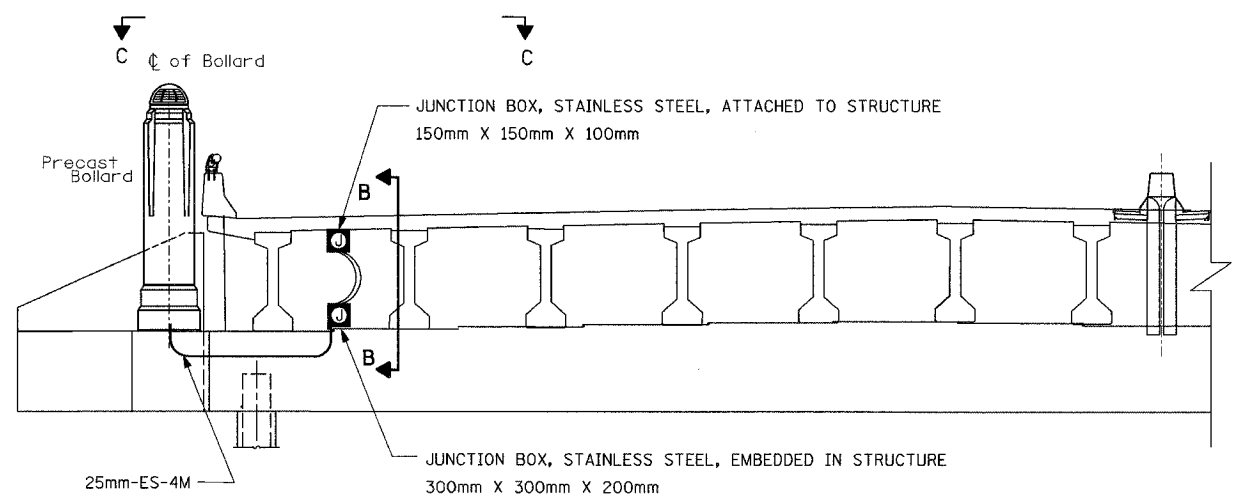
F.A.I. RTE.	SECTION	COUNTY	TOTAL SHEETS	SHEET NO.
74	•	TAZEWELL	1366	1229
STA.	TO STA.			
FED. ROAD DIST. NO.	ILLINOIS	FED. AID PROJECT		
* (90-11)R-2; 90(13, 14, 14-1)R-1				
CONTRACT NO. 68201				



WESTBOUND ELEVATION AT NORTH ABUTMENT
(LOOKING NORTH)



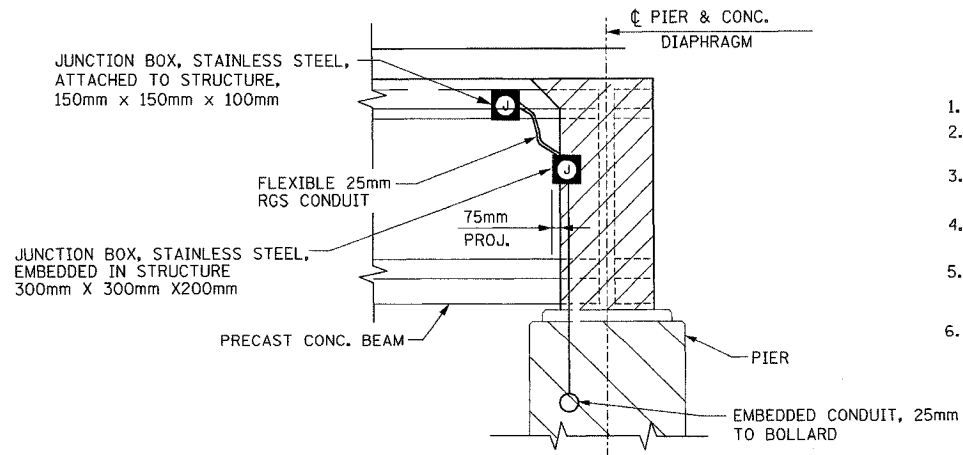
SECTION C-C
PARTIAL PLAN-BOLLARD LOCATION AT S. ABUTMENT
(SIMILAR FOR NORTH ABUTMENT)



WESTBOUND ELEVATION AT SOUTH ABUTMENT
(LOOKING SOUTH)

STREET LIGHTING - BILL OF MATERIAL - THIS SHEET

PAY ITEM	UNIT	QTY.
CONDUIT EMBEDDED IN STRUCTURE, 25mm DIA., PVC	METER	7.0
JUNCTION BOX, STAINLESS STEEL, ATTACHED TO STRUCTURE 150mm X 150mm X 100mm	EACH	2
JUNCTION BOX, STAINLESS STEEL, EMBEDDED IN STRUCTURE 300mm X 300mm X 200mm	EACH	2



SECTION B-B
(TYP. FOR P.P.C. BM. CONSTN.)

NOTES:

- FOR WIRING PLAN SEE LIGHTING SHEET 21.
- ALL EMBEDDED CONDUIT SHALL BE 50mm, PVC - SCH. 40, UNLESS OTHERWISE INDICATED.
- ALL JUNCTION BOXES ATTACHED TO STRUCTURE SHALL BE STAINLESS STEEL, 150mmx150mmx100mm, UNLESS OTHERWISE INDICATED.
- THE COST OF THE CONCRETE INSERTS SHALL BE INCLUDED IN THE PAY ITEM FOR "CONDUIT ATTACHED TO STRUCTURE."
- THE COST OF THE LIQUID-TIGHT CONDUIT SHALL BE INCLUDED IN THE PAY ITEM FOR "CONDUIT ATTACHED TO STRUCTURE."
- FOR SECTION B-B. SEE THIS SHEET.

LEGEND

- PROPOSED JUNCTION BOX
- PROPOSED EMBEDDED CONDUIT, 25mm DIA. PVC SCHEDULE 40
- PROPOSED LIQUID-TIGHT FLEXIBLE CONDUIT, 25mm

LIGHTING SHEET 19 OF 41

REVISIONS	
NAME	DATE

ILLINOIS DEPARTMENT OF TRANSPORTATION
BRIDGE LIGHTING PLAN
W.B. I-74 OVER WASHINGTON ST.

DATE: 12/20/04
DRAWN BY DJK/MMK
CHECKED BY MKR

ab alfred benesch & company
CONSULTING ENGINEERS
205 NORTH MICHIGAN AVENUE, CHICAGO, ILLINOIS 60601

m:\proj\3573\lighting\4-contract\111101-7-04-brw\sh2.dgn 12/20/2004 12:42:25 PM