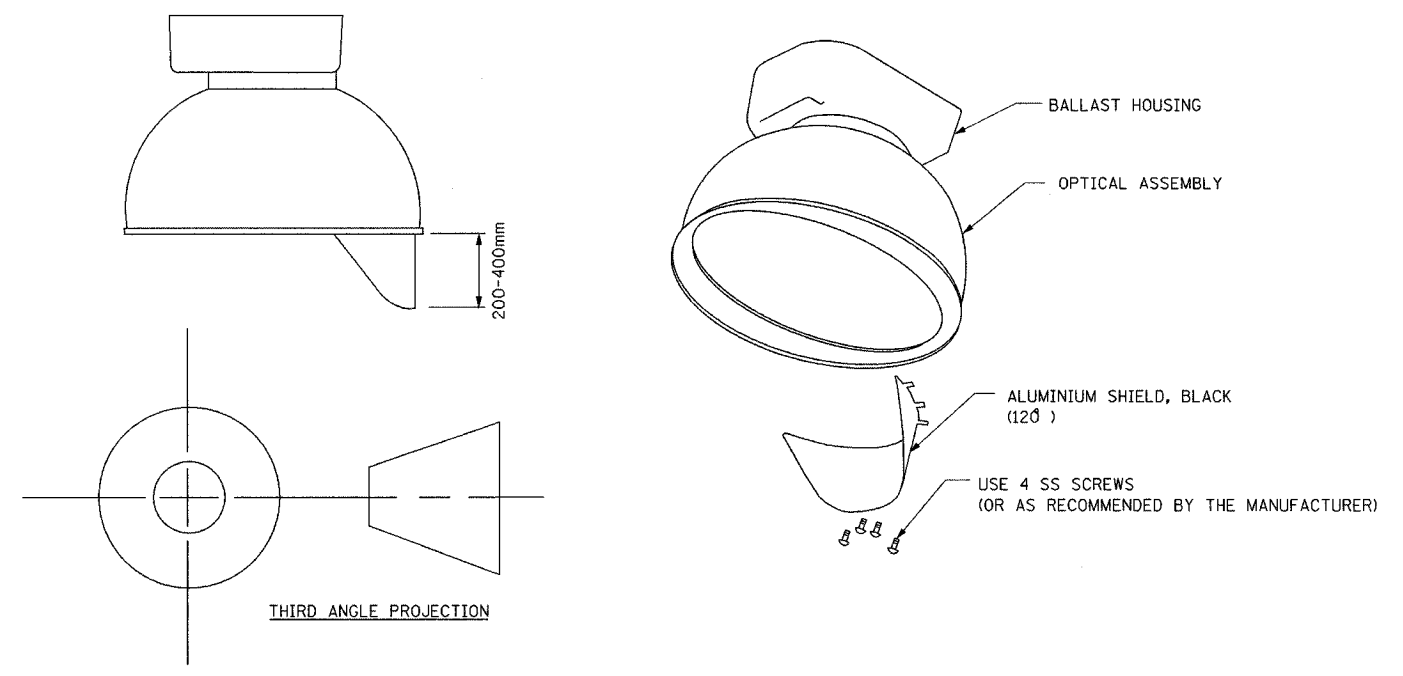
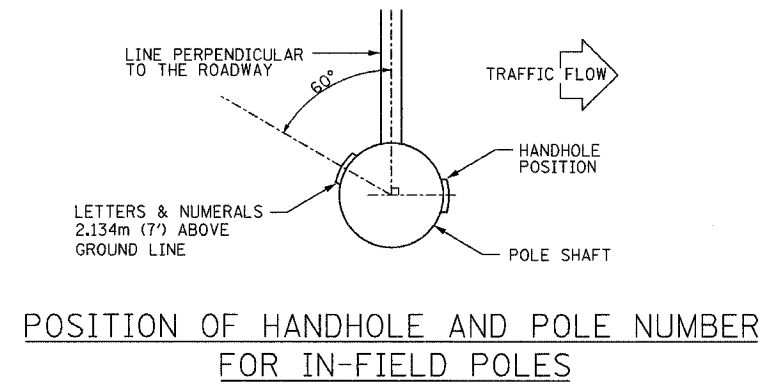


F.A.I. RTE.	SECTION	COUNTY	TOTAL SHEETS	SHEET NO.
74	•	TAZEWELL	1366	1244
STA.	TO STA.			
FED. ROAD DIST. NO.	ILLINOIS	FED. AID PROJECT		
• (90-11R-2; 90(13, 14, 14-1R-1				
CONTRACT NO. 68201				



LUMINAIRE SHIELD DETAIL

* THE COST OF INSTALLING THE SHIELD SHALL BE INCLUDED IN THE PAY ITEM FOR HIGH MAST LUMINAIRE, (INSTALL ONLY).

LIGHTING SHEET 34 OF 41

REVISIONS	
NAME	DATE

ILLINOIS DEPARTMENT OF TRANSPORTATION

MISCELLANEOUS HIGH MAST POLE AND LUMINAIRE DETAILS

DATE: 12/20/04

DRAWN BY DJK

CHECKED BY MKR

ab alfred benesch & company
CONSULTING ENGINEERS
205 NORTH MICHIGAN AVENUE, CHICAGO, ILLINOIS 60601

12/20/2004 12:44:37 PM n:\pco\13573\lighting\74-contract\111100\mde4.dgn