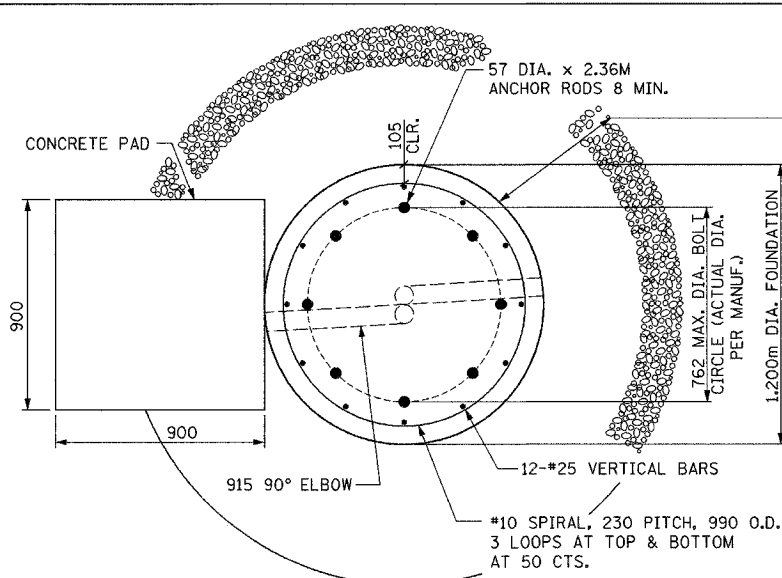


NOTE: NUTS SHALL BE TIGHTENED AGAINST THE BASE PLATE WITH 271 Nm MINIMUM TORQUE.

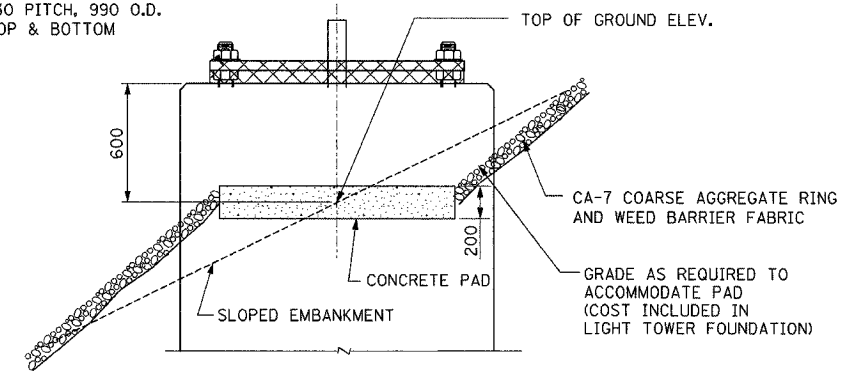
FOUNDATION ELEVATION

- NOTES:**
- SEE FOUNDATION NOTES SHEET 37
 - THE COST OF THE GROUND RODS AND GROUND ROD CLAMPS SHALL BE INCLUDED IN THE LIGHT TOWER FOUNDATION PAY ITEM. THREE GROUND RODS ARE REQUIRED AT EACH LOCATION.



SECTION B-B

600 WIDE X 100 DEEP CA-7 COARSE AGGREGATE RING AND WEED BARRIER FABRIC. COST INCLUDED IN LIGHT TOWER FOUNDATION.



FOUNDATION ELEVATION SLOPED CONDITION

DRILLED SHAFT SCHEDULE								
POLE ID	HIGH MAST TOWER LOCATION			THEORETICAL TOP OF GROUND ELEV.	EMBEDDED SHAFT LENGTH (D) (METERS)	TOWER FDN. LENGTH (L) (METERS)	BORING LOG	LENGTH (X) OF REINF. (METERS)
	STATION	OFFSET	BASE LINE					
6 JAB L-02	152+877.3	28L	I-74 E.B.	148.178	7.600	8.200	HMSB 88	8.050
6 JAB L-01	152+990.0	38.4L	I-74 E.B.	146.451	7.000	7.600	HMSB-089A, SB-235	7.450
8 JCD L-01	153+148.7	26.6L	I-74 E.B.	146.811	5.200	5.800	HMSB 90, SB-239, RWJ 3-3, RWJ 3-4	5.650
5 JEF L-01	153+303.0	46L	I-74 E.B.	157.025	5.400	6.000	HMSB 91A, BB-288	5.850
4 JEF L-02	153+494.5	27.4L	I-74 E.B.	149.033	7.500	8.100	SB-272	7.950
4 JEF L-03	153+600.0	27L	I-74 E.B.	143.566	6.600	7.200	HMSB 96	7.050
5 WAB L-03	153+965.0	102.7L	I-74 E.B.	143.208	5.800	6.400	HMSB 99	6.250
6 WAB L-04	154+060.0	108L	I-74 E.B.	145.942	6.600	7.200	HMSB 102	7.050
5 WAB L-05	154+153.0	86.5L	I-74 E.B.	150.451	5.500	6.100	HMSB 103	5.950

- A. NOTE PRESENCE OF VOIDS IN SOIL BORINGS.
 B. COST OF DRILLING INTO ROCK PAID FOR AS "ROCK EXCAVATION FOR STRUCTURES."

m:\proj\1557\3\lighting\74\contract\11\1100-7g-bmf.dwg

12/20/2004 12:44:38 PM

REVISIONS	
NAME	DATE

ILLINOIS DEPARTMENT OF TRANSPORTATION

LIGHT TOWER FOUNDATION
(TYPE 2 IN-FIELD)

DATE: 12/20/04

DRAWN BY CDF
CHECKED BY WJZ