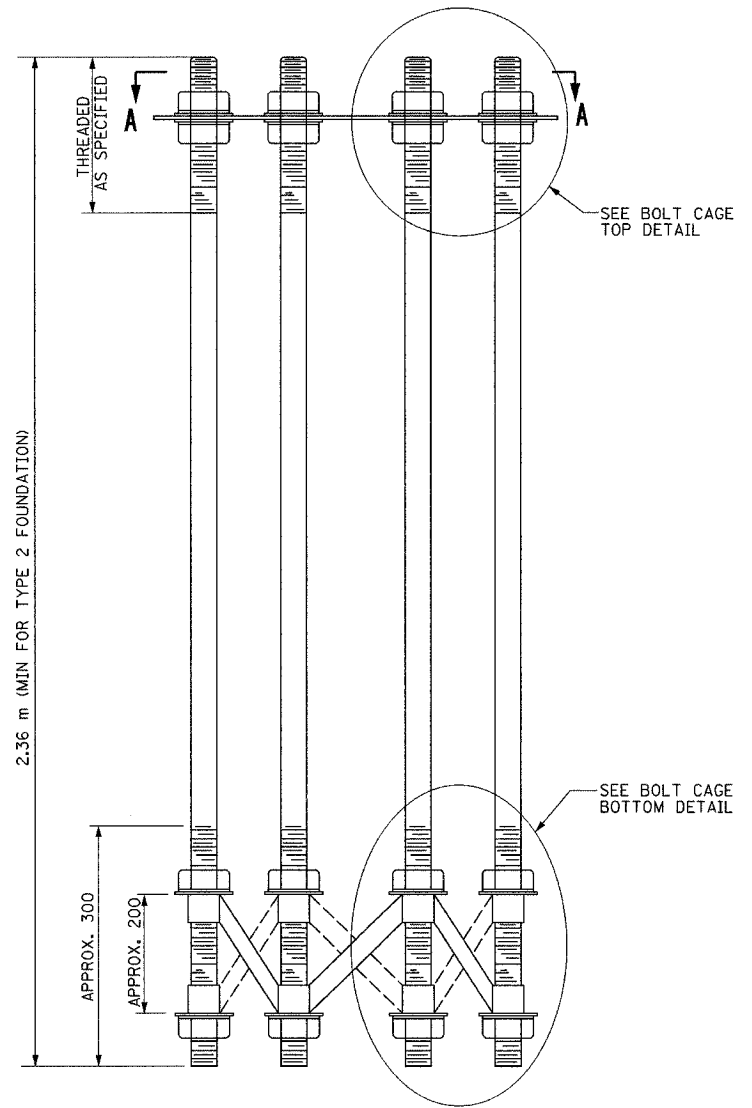


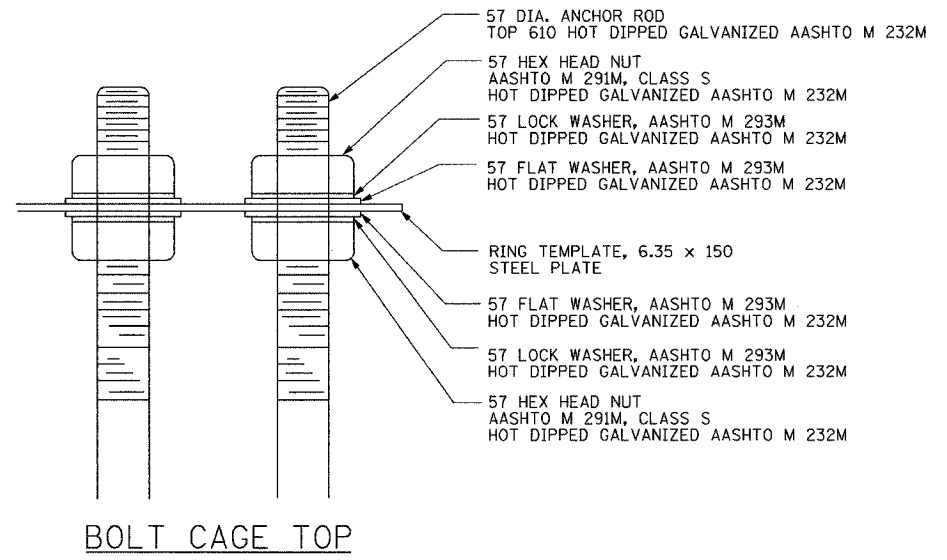
F.A.I. RTE.	SECTION	COUNTY	TOTAL SHEETS	SHEET NO.
74		TAZEWELL	1366	1246
STA.	TO STA.			
FED. ROAD DIST. NO.	ILLINOIS	FED. AID PROJECT		
	• (90-11R-2)90(13, 14, 14-1R-1			
	CONTRACT NO. 68201			

FOUNDATION NOTES

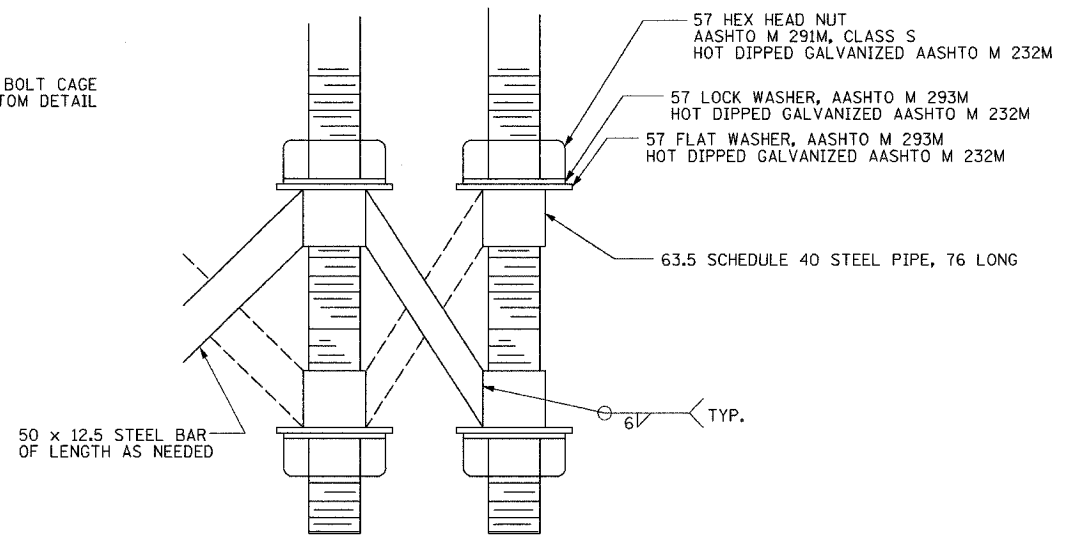
- ALL DIMENSIONS IN MILLIMETERS UNLESS OTHERWISE SHOWN.
- ANCHOR RODS SHALL BE STRAIGHT AND SHALL BE ACCORDING TO AASHTO M 314M OR ASTM F1554, GRADE 725 AND GALVANIZED ACCORDING TO ARTICLE 1006.09 OF THE STANDARD SPECIFICATIONS.
- ANCHOR ROD INFORMATION SHALL BE SUBMITTED FOR APPROVAL AND SHALL BE FULLY COORDINATED WITH TOWER MANUFACTURER'S REQUIREMENTS.
- THE ANCHOR BOLTS SHALL BE VERTICAL. NO ADJUSTMENT SHALL BE ALLOWED AFTER THE FOUNDATION HAS BEEN PLACED.
- THE GAP BETWEEN THE FOUNDATION AND THE BASE PLATE SHALL BE ENCLOSED WITH A STAINLESS STEEL SCREEN FASTENED WITH A STAINLESS STEEL BAND.
- SPLICES FOR SPIRAL REINFORCEMENT SHALL BE LAP SPLICED 600 MM.
- TOP OF GROUND ELEVATIONS, LENGTHS, AND REINFORCEMENT LENGTHS ARE BASED ON THE SOIL BORINGS. IF OTHER SOIL CONDITIONS ARE ENCOUNTERED, THE ENGINEER SHALL BE NOTIFIED AND THE FOUNDATION CONSTRUCTED AS DIRECTED BY THE ENGINEER. IN GENERAL, FOR A UNIFORM LAYER OF SAND OR STIFF CLAY ($Q_u > 145 \text{ kPa}$), MINIMUM SHAFT EMBEDMENT = 4.9 m, FOR A UNIFORM LAYER OF MEDIUM CLAY ($36 \text{ kPa} < Q_u < 145 \text{ kPa}$), MINIMUM SHAFT EMBEDMENT = 6.7 m, AND FOR A UNIFORM LAYER OF SOFT CLAY ($Q_u < 36 \text{ kPa}$), MINIMUM SHAFT EMBEDMENT = 9.8 m.
- ANCHOR BOLT, ANCHOR BOLT CAGE, AND RING TEMPLATE DIMENSIONS SHALL BE VERIFIED WITH THE POLE MANUFACTURER.
- THE LIGHT TOWER SHALL NOT BE ERECTED UNTIL AFTER THE CONCRETE HAS BEEN CURED ACCORDING TO ARTICLE 1020.13 OF THE STANDARD SPECIFICATIONS.
- REINFORCEMENT SHALL CONFORM TO THE REQUIREMENTS OF AASHTO M 31M, M 42M, OR M 53M GRADE 400.
- TWO ANCHOR RODS OPPOSITE EACH OTHER SHALL HAVE THE ANCHOR ROD THREADS PEENED AFTER NUTS ARE INSTALLED.



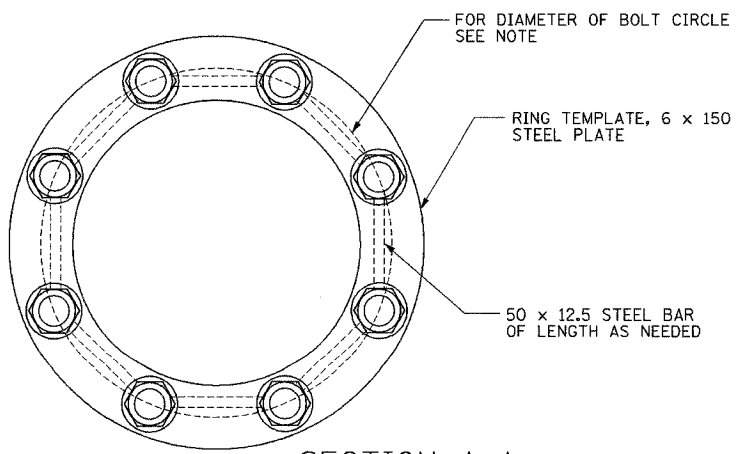
ANCHOR BOLT CAGE



BOLT CAGE TOP



BOLT CAGE BOTTOM



SECTION A-A

NOTE: CONTRACTOR SHALL VERIFY AND FULLY COORDINATE THE PROPOSED FOUNDATION'S ANCHOR BOLT SIZE, LENGTH, AND CIRCLE DIAMETER WITH THE HIGH MAST TOWER MANUFACTURER'S ANCHOR BOLT CIRCLE.

REVISIONS	
NAME	DATE

ILLINOIS DEPARTMENT OF TRANSPORTATION

LIGHT TOWER FOUNDATION NOTES AND ANCHOR BOLT DETAILS

DATE: 12/20/04

DRAWN BY JSS
CHECKED BY WJZ/CDP

ab alfred benesch & company
CONSULTING ENGINEERS
205 NORTH MICHIGAN AVENUE, CHICAGO, ILLINOIS 60601

12/20/2004 12:46:38 PM n:\p01357\lighting\contract\1111007a_inf\inf.dwg