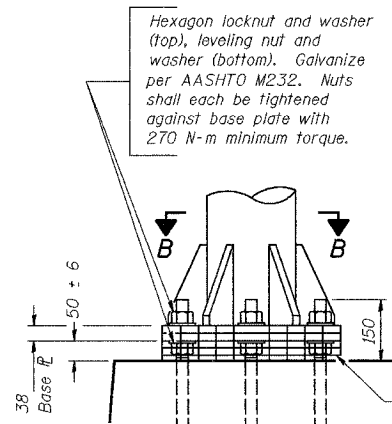


STATE OF ILLINOIS  
DEPARTMENT OF TRANSPORTATION

ROUTE No.	SECTION	COUNTY	TOTAL SHEETS	SHEET NO.
FAI 74	*	TAZEWELL	1366	1308
STA.		TO STA.		
F.H.W.A. REGION		ILLINOIS	PROJECT	

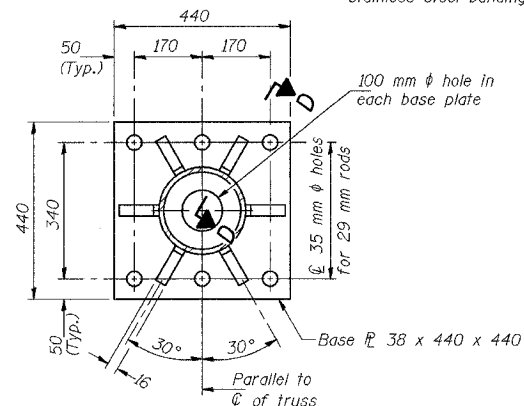
• (90-IDR-2;90(3, 14, 14-IDR-1)  
CONTRACT NO. 68201



**DETAIL B**

Ribs shall be cut to fit slope of pipe.

Stainless Steel Standard Grade Wire Cloth, 76 mm wide, 6 mm maximum opening with a minimum wire diameter of 1.5 mm with a minimum 50 mm lap. Secure to base plate after erection with 19 mm stainless steel banding.

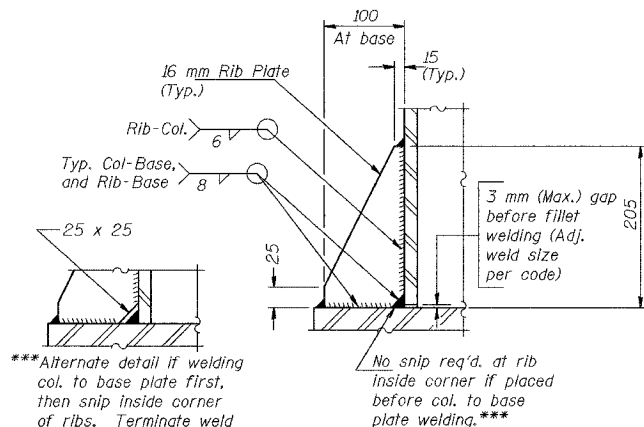


**SECTION B-B**

NUMBER	REVISION	DATE

DESIGNED	RJW	2004
CHECKED	KJN	EXAMINED
DRAWN	RJW	ENGINEER OF STRUCTURAL SERVICES
CHECKED	KJN	PASSED
		ENGINEER OF BRIDGES AND STRUCTURES

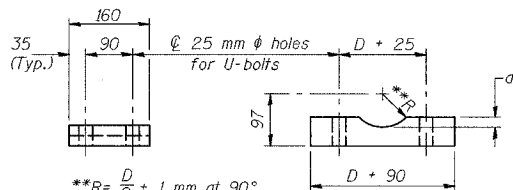
OS-S-4A(M) 10/1/2001



**SECTION D-D**

\*\*\* Alternate detail if welding col. to base plate first, then snip inside corner of ribs. Terminate weld on rib 5 mm from snip.

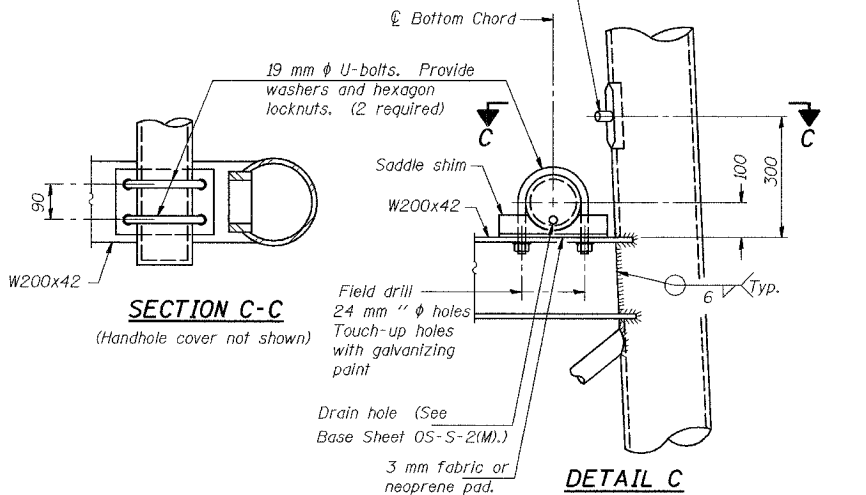
No snip req'd. at rib inside corner if placed before col. to base plate welding.\*\*\*



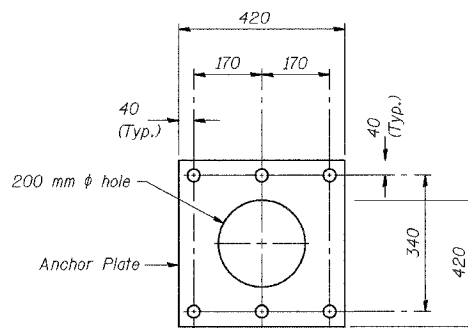
**SADDLE SHIM DETAIL**

\*\*R =  $\frac{D}{2} + 1$  mm at 90°  
D = Outside Diameter of Chord.

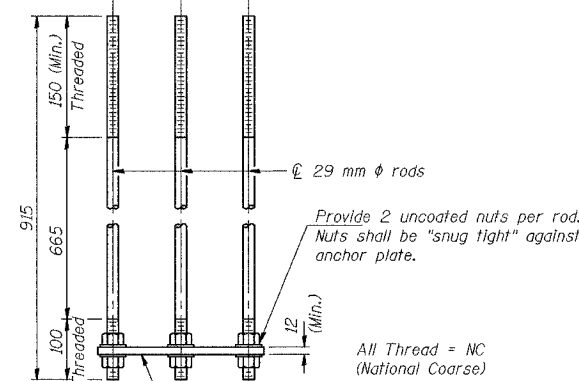
Truss Chord Nominal Dia.	a
127	19
140	21
152	21
165	24



**DETAIL C**

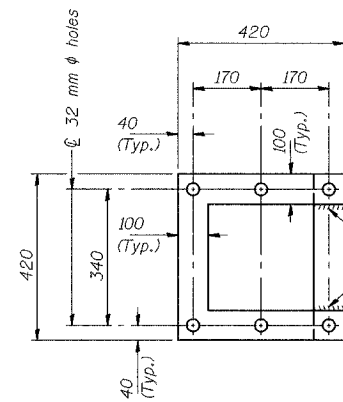


**Anchor Plate**



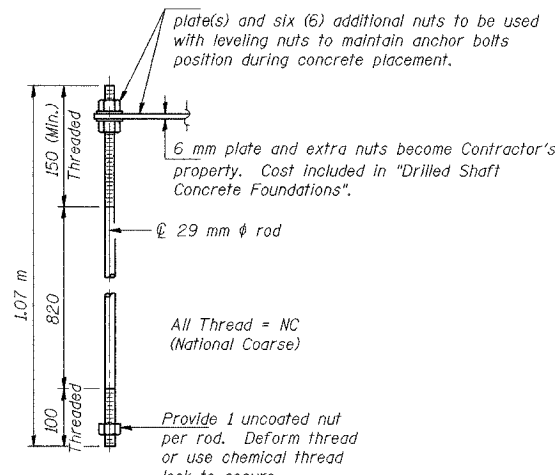
**ANCHOR ROD DETAIL  
Spread Footing Foundation**

Anchor rods shall conform to AASHTO M314M Grade 250 or 380 (36 or 55) and meet Charpy V-Notch (CVN) energy of 20 J at 5° C. Galvanize upper 305 mm per AASHTO M232. No welding shall be permitted on rods.



**POSITIONING PLATE(S)**

Optionally may use four (4) separate bars. Weld to maintain perpendicularity.



**ANCHOR ROD DETAIL  
Drilled Shaft Foundation**

6 mm plate and extra nuts become Contractor's property. Cost included in "Drilled Shaft Concrete Foundations".

All Thread = NC (National Coarse)

Provide 1 uncoated nut per rod. Deform thread or use chemical thread lock to secure.

**TYPE I-S TRUSS  
DN 200 PIPE SUPPORT FRAME DETAILS**

**OVERHEAD SIGN STRUCTURES  
SUPPORT FRAME DETAILS STEEL TRUSS**

ILLINOIS DEPARTMENT OF TRANSPORTATION

SIGNING PLAN  
W.B. I-74 STA. 153+410, S.N. 4S0901074L095.3

TAZEWELL CO., IL.

DATE: 12-20-04

SIGNING SHEET 57 OF 74

Mr./Proj/3573/Sign Structures/Contract II/sp101-7Aoh-stf.dgn