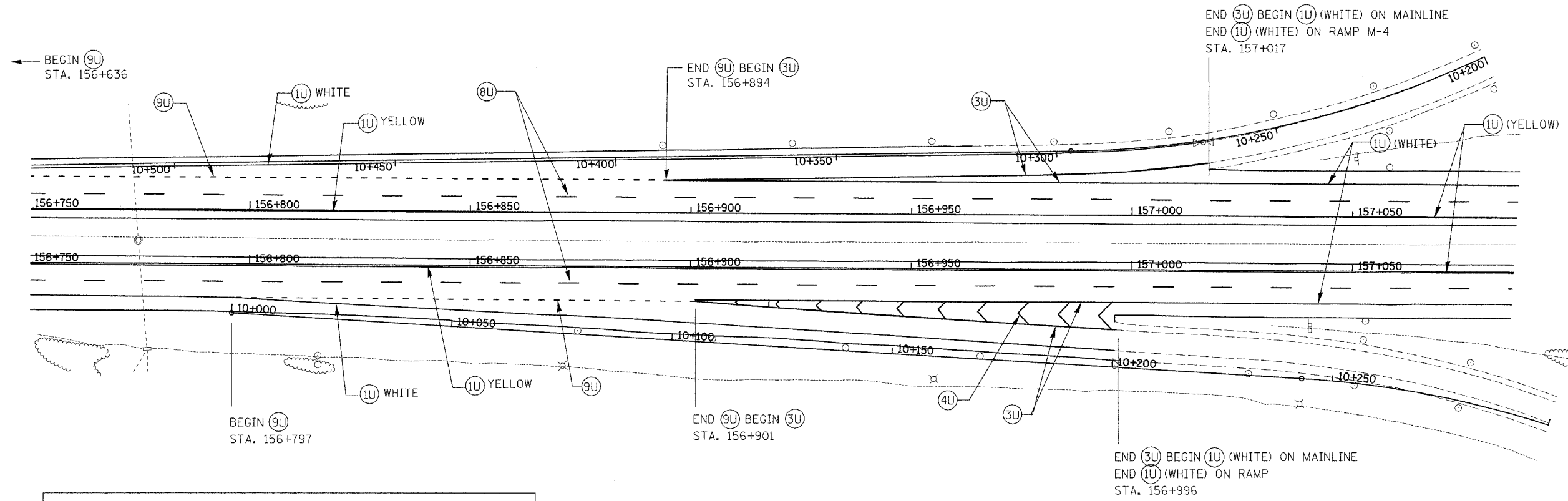


F.A.I. RTE.	SECTION	COUNTY	TOTAL SHEETS	SHEET NO.
74		TAZEWELL	135	135
STA.	TO STA.			
FED. ROAD DIST. NO.	ILLINOIS FED. AID PROJECT			



**PAVEMENT MARKING LEGEND**

(1X) 100 (4) SOLID	
(2X) 150 (6) SOLID	
(3X) 200 (8) SOLID	
(4X) 300 (12) SOLID	
(5X) 600 (24) SOLID	
(6X) 100 (4) DOUBLE SOLID	
(7X) 100 (4) SKIP DASH	
(8X) 150 (6) SKIP DASH	
(9X) 200 (8) SKIP DASH	
(10X) 200 (8) DOTTED	
(11X) LETTERS AND SYMBOLS	

E = EPOXY	
P = PAINT	
T = THERMOPLASTIC	
U = POLYUREA	

**NOTE**

SEE HIGHWAY STANDARDS 780001 AND 781001 FOR REMAINING PAVEMENT MARKING PLACEMENT AND REFLECTIVE PAVEMENT MARKER PLACEMENT

REVISIONS		ILLINOIS DEPARTMENT OF TRANSPORTATION
NAME	DATE	
		PROPOSED PAVEMENT MARKING PLAN AT RAMP M-1 AND RAMP M-4  DATE 12/09/04 DRAWN BY CEM CHECKED BY CEM